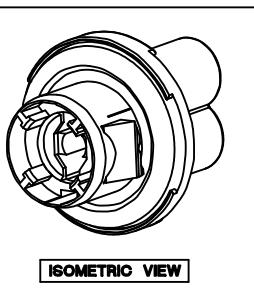
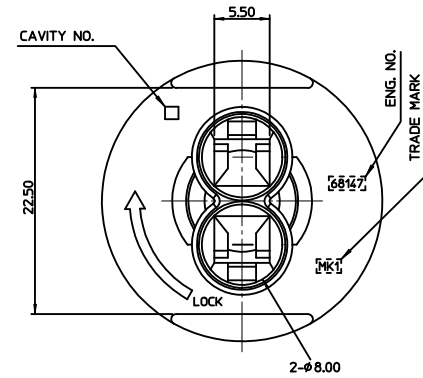
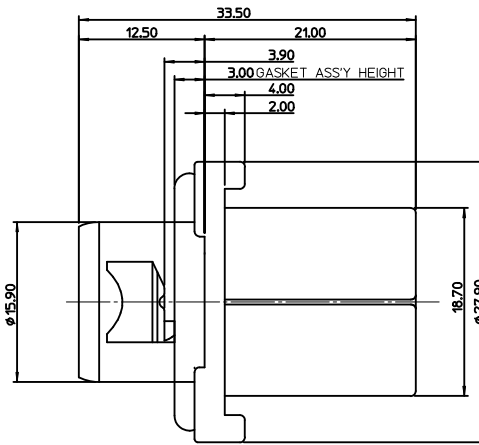
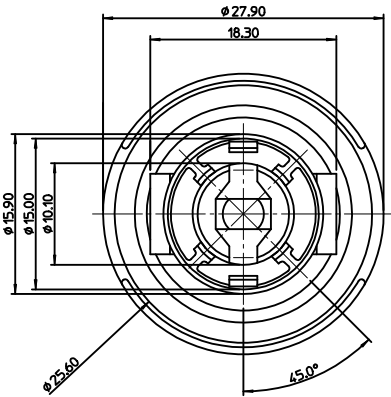


VIEW "V"

SOCKET PLUG HOLE

VIEW "W"



ISOMETRIC VIEW

NOTES

1. MATERIAL : POLYAMIDE(PA66), 40% MINERAL FILLED, UL94HB.
2. PRODUCT SPECIFICATION: PS-68147-001
3. LIGHT CENTER LENGTH: 13.8mm
4. APPLICABLE WEDGE BASE BULB: W2.1X9.5d(W5W)
5. MATES WITH

DESCRIPTION	MATERIAL	ORDER NO.	REMARK
WEDGE TERMINAL	BRASS	35477-9002	UNPLATED
TERMINAL WIRE SEAL	SILICONE	49505-9001	BLACK

<PART LIST>

NO.	DESCRIPTION	MATERIAL	USAGE	REMARK
①	WEDGE SOCKET	PA66 M/F	1	GRAY
②	GASKET	SILICONE	1	BLACK

<TABLE 1>

MATERIAL NO.	ORDER NO.
681470215	68147-0215

REVISED E.C. NO.: KOR2011-0010 DRAWN BY: HJKIM CHECKED BY: BKCHOI APPROVED BY: CWLEE DATE: 2010/08/11 DATE: 2010/08/13 DATE: 2010/08/13	QUALITY SYMBOLS	GENERAL TOLERANCES (UNLESS SPECIFIED)	DIMENSION STYLE	SCALE	DESIGN UNITS	THIRD ANGLE PROJECTION	
	▽=0	mm INCH	MM ONLY	4:1	METRIC	☐	
	▽=0	4 PLACES ± --- ± ---	DRAWN BY: HJKIM	DATE: 1999/01/29	TITLE	SEALED BULB SOCKET ASS'Y 2P (WEDGE TYPE)	
	▽=0	3 PLACES ± --- ± ---	CHECKED BY: BKCHOI	DATE: 1999/01/29	APPROVED BY: CWLEE	DATE: 1999/01/29	MATERIAL NO. DOCUMENT NO.
DRAFT WHERE APPLICABLE MUST REMAIN WITHIN DIMENSIONS		ANGULAR ± 1°	SEE TABLE 1		MOLEX INCORPORATED		
SIZE 1		THIS DRAWING CONTAINS INFORMATION THAT IS PROPRIETARY TO MOLEX INCORPORATED AND SHOULD NOT BE USED WITHOUT WRITTEN PERMISSION		SD-68147-002			
						SHEET NO. 1 OF 1	