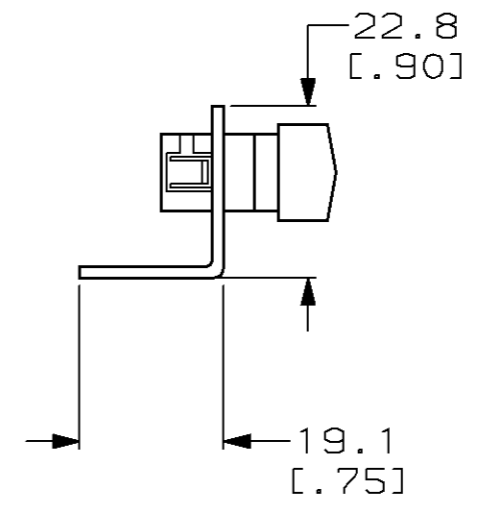
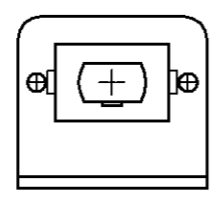
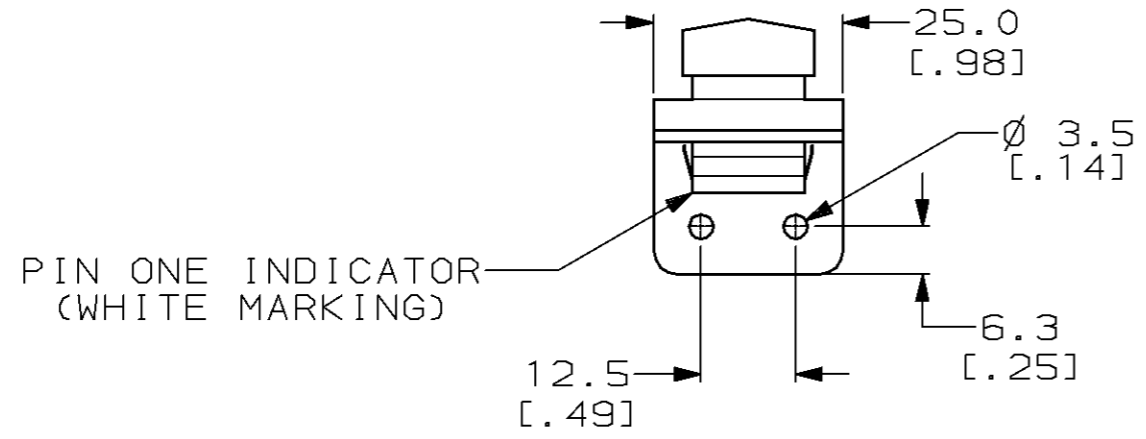


THIS DRAWING IS UNPUBLISHED. RELEASED FOR PUBLICATION ,19 .
 © COPYRIGHT 19 BY AMP INCORPORATED. ALL RIGHTS RESERVED.

LOC	DIST	REVISIONS					
		P	LTR	DESCRIPTION	DATE	DWN	APVD
CE	16		0	REL PER NPR 96-075	4-3-96	JS	FA
		-	-		-	-	-



504954-1
PART NO.

<small>THIS DRAWING IS A CONTROLLED DOCUMENT FOR AMP INCORPORATED. IT IS SUBJECT TO CHANGE AND THE CONTROLLING ENGINEERING ORGANIZATION SHOULD BE CONTACTED FOR THE LATEST REVISION.</small>		DWN	J. SABO	4-3-96	AMP Incorporated Harrisburg, PA 17105-3608
DIMENSIONS: mm		CHK	D. HARPER	4-3-96	
		APVD	F. ABENDSCHEIN	4-3-96	
TOLERANCES UNLESS OTHERWISE SPECIFIED: 0 PLC ±- 1 PLC ±- 2 PLC ±0.5 [.02] 3 PLC ±0.25 [.010] 4 PLC ±- ANGLES ±-		PRODUCT SPEC	-		
MATERIAL		FINISH		APPLIC. SPEC	NAME
-		-		WEIGHT	-
		CUSTOMER DRAWING		SIZE	A3
				CAGE CODE	00779
				DRAWING NO	C-504954
				SCALE	1:1
				SHEET	1 OF 1
				REV	0