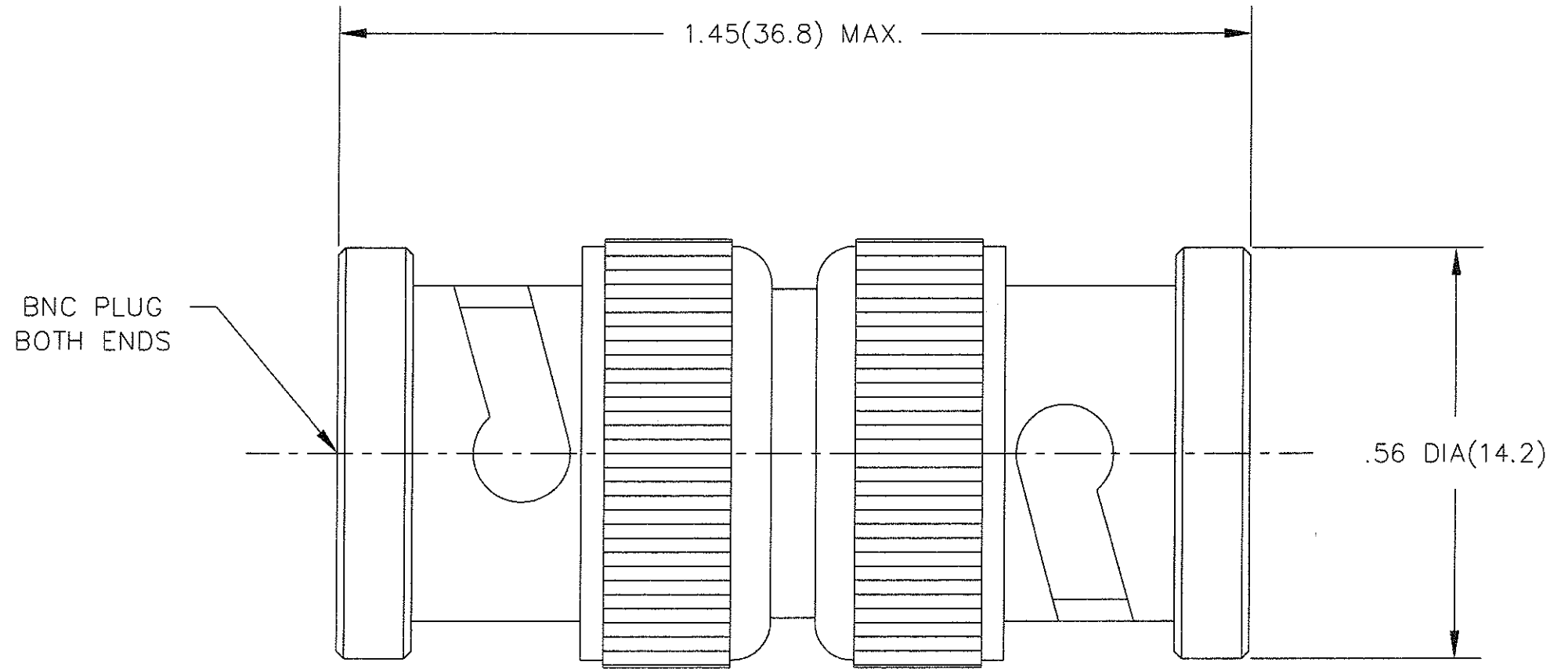


NOTES:
 1.0 DIMENSIONS IN PARENTHESIS ARE MILLIMETERS.

2.0 BAG MARKING:
 ADT-2830-MM-BNC-10
 BNC MALE - MALE ADAPTER
 LOT # -----

MODEL NUMBER
 ADT-2830-MM-BNC-10
 REV.
 B1



DESCRIPTION	DATE
RELEASED	8/23/93
ECN 13682	5/8/94
ECN 14665	8/16/95
ADDED TITLEBLOCK	3/17/05
B	
B1	

UNLESS OTHERWISE NOTED DIMENSIONS ARE IN INCHES AND TOLERANCES ARE: 3 PLACE DECIMALS ±.005 2 PLACE DECIMALS ±.02 FRACTIONS ±1/64 PARALLELITY: T.I.R. _____ FLATNESS: T.I.R. _____ CONCENTRICITY: T.I.R. _____ ANGLES AND PERPENDICULARITY: ±1'	FSCM NO. 34078	MIDWEST MICROWAVE		
	NOTICE: The information contained in this drawing is proprietary and must not be used without the permission of Midwest Microwave		TITLE BNC MALE - MALE ADAPTER	
	DRAWN/DATE M.HOLLMAN 8/20/93	ENG./DATE A.OSGA 8/20/93	DRAWING NUMBER ADT-2830-MM-BNC-10	
	CHECKED/DATE A.BEATTY 8/20/93	APPROVED/DATE	SCALE: 5=1	SHEET 1 of 1