

4

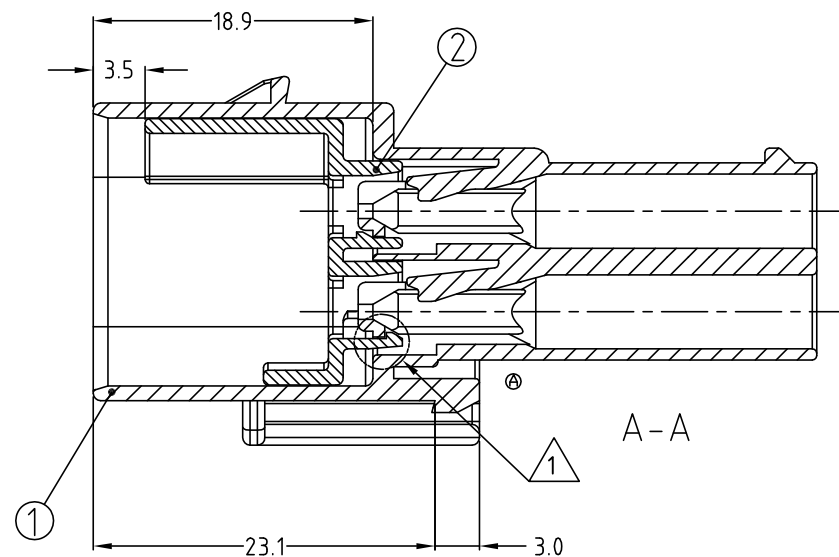
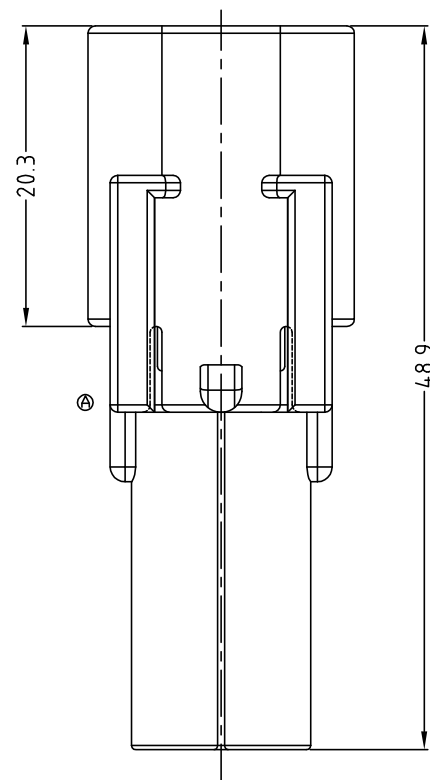
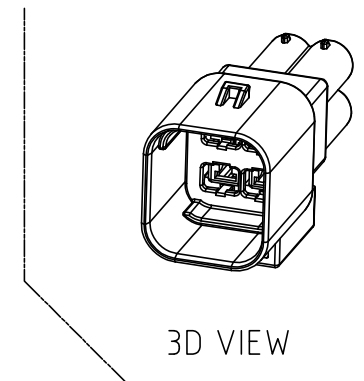
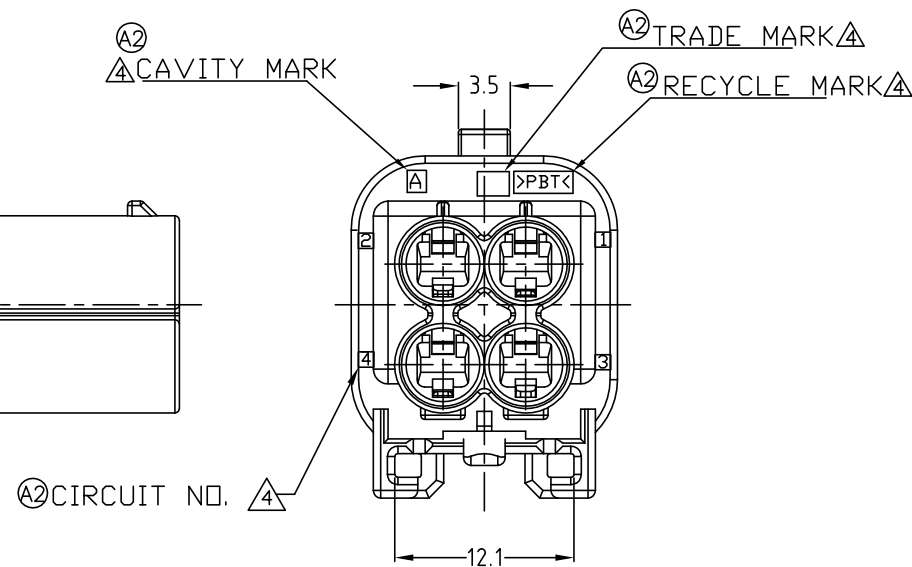
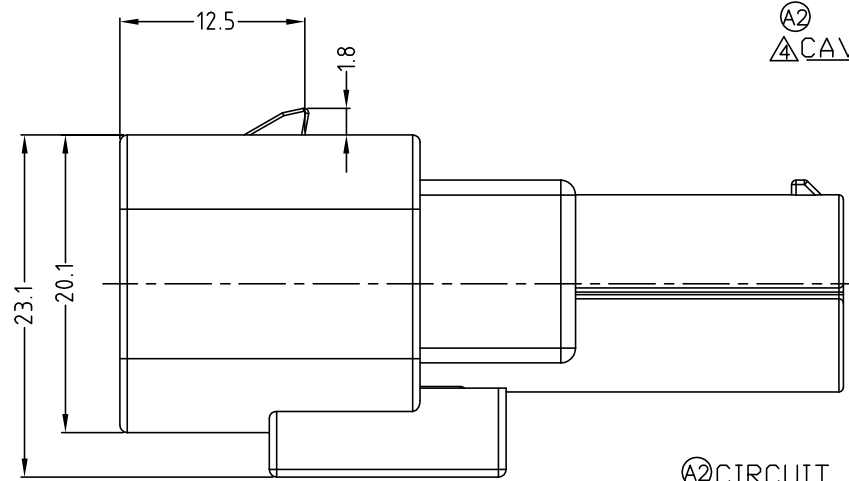
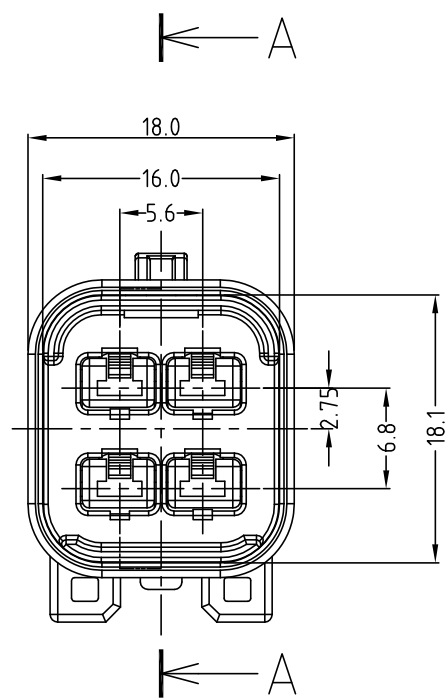
3

2

1

THIS DRAWING IS UNPUBLISHED. RELEASED FOR PUBLICATION
COPYRIGHT BY TYCO ELECTRONICS CORPORATION, ALL RIGHTS RESERVED.

LOC	DIST	REVISIONS					
		P	LTR	DESCRIPTION	DATE	DWN	APVD
DS	-		A	REVISED(FC00-0317-04)	07,DEC,'04	JG	CS
			A1	REVISED(ECR-06-013973)	09,JUN,'06	YH	JK
			A2	REVISED(ECR-10-017371)	14,SEP,'10	SJ	HG



- NOTES:
- CONDITION OF DELIVERY : DBL PLATE IN OPEN POSITION.
 - APPLIED TAB CONTACT P/N :

CONTACT	MCP-E TERMINAL	
Part No.	936612-1	936613-1
WIRE SIZE(mm ²)	1.0 ~ 2.5	0.5 ~ 1.0
 - APPLIED FEMALE CONNECTOR P/N : 936254
 - ALL CHARACTERS SHALL BE CLEAR AND LEGIBLE
 - TRADE MARK: 1.0 CHARACTERS 0.2 RAISED
 - CAVITY MARK & CURCUIT NO: 1.0 CHARACTERS 0.2 RAISED
 - RECYCLE MARK: 1.0 CHARACTEERS 0.2 RAISED

NO	DESCRIPTION	MATERIAL	COLOR /FINISH	ASS'Y FOR Q'TY	A	A	REV
2	DBL HOUSING	PBT GF10	WHITE	1	1		
1	CAP HOUSING	PBT	GRAY	1	•		
			BLACK	•	1		
					0-936293-3	0-936293-2	ASS'Y P/N

<small>THIS DRAWING IS A CONTROLLED DOCUMENT FOR TYCO ELECTRONICS CORPORATION IT IS SUBJECT TO CHANGE AND THE CONTROLLING ENGINEERING ORGANIZATION SHOULD BE CONTACTED FOR THE LATEST REVISION.</small>		DWN SJ CHOI CHK JW JUNG APVD HG CHD PRODUCT SPEC - APPLICATION SPEC - WEIGHT -
DIMENSIONS: MM	TOLERANCES UNLESS OTHERWISE SPECIFIED: 0 <XXX<10 ± 0.2 10<XXX<30 ± 0.25 30<XXX ± 0.3 ANGLES ± 3°	
MATERIAL SEE TABLE	FINISH SEE TABLE	

Tyco Electronics kyungsan, korea		NAME	
MCP-E SEALED 4P CAP ASSEMBLY			
SIZE	CAGE CODE	DRAWING NO	RESTRICTED TO
A3	00779	C=936293	-
CUSTOMER DRAWING		SCALE 2/1	SHEET 1 OF 1 REV A2