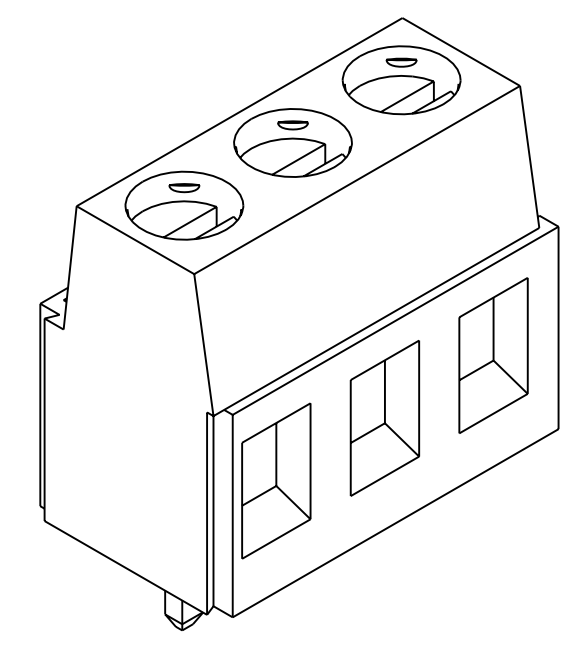
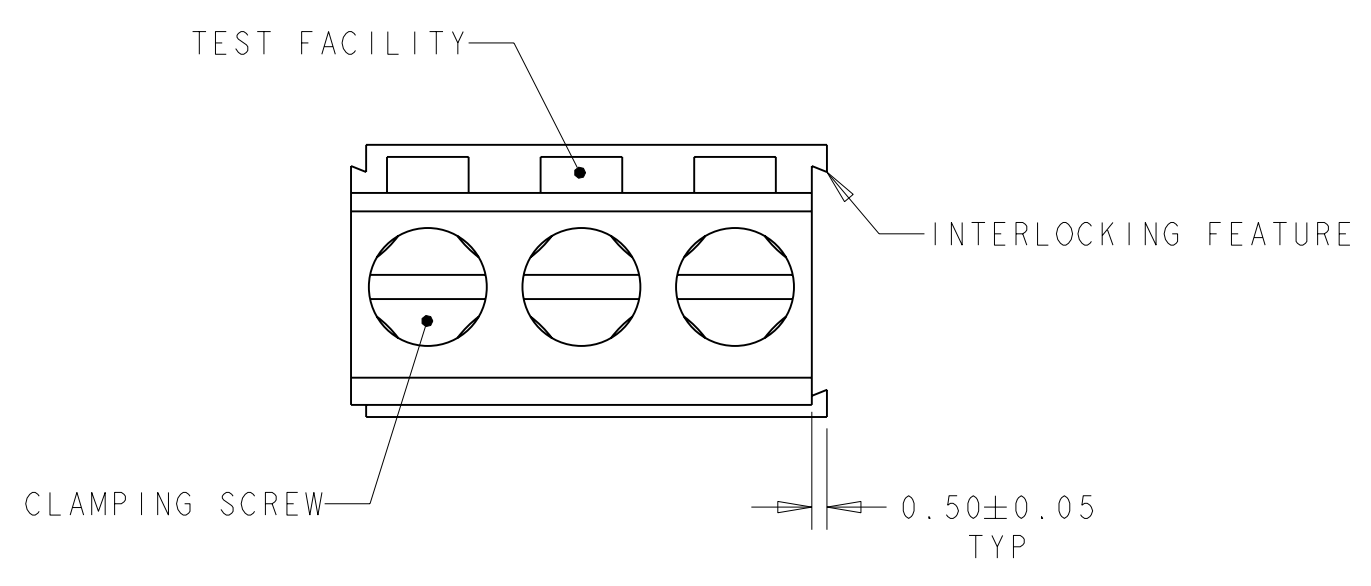


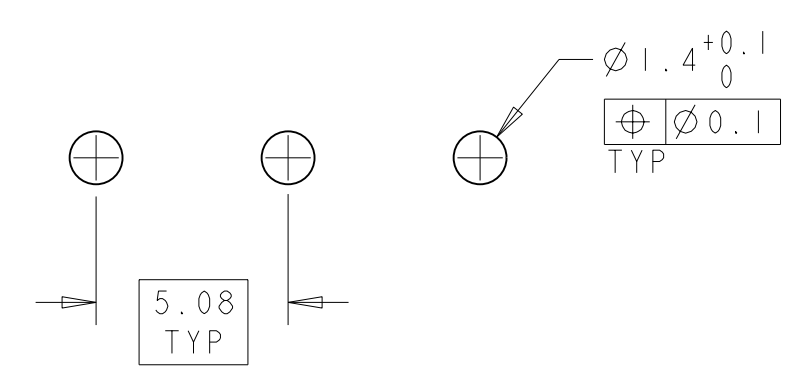
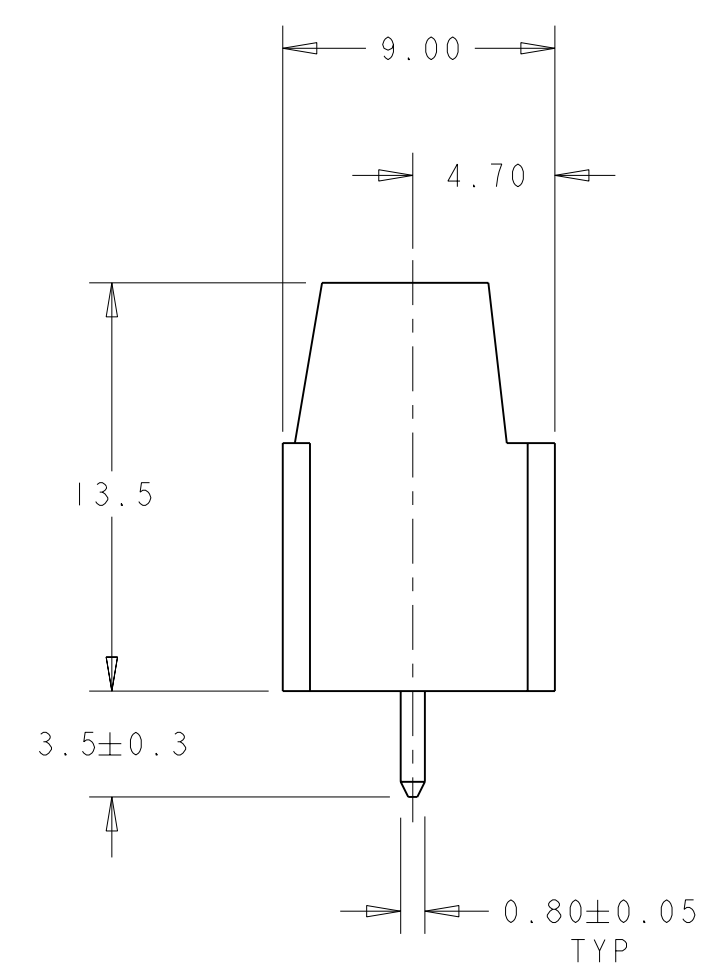
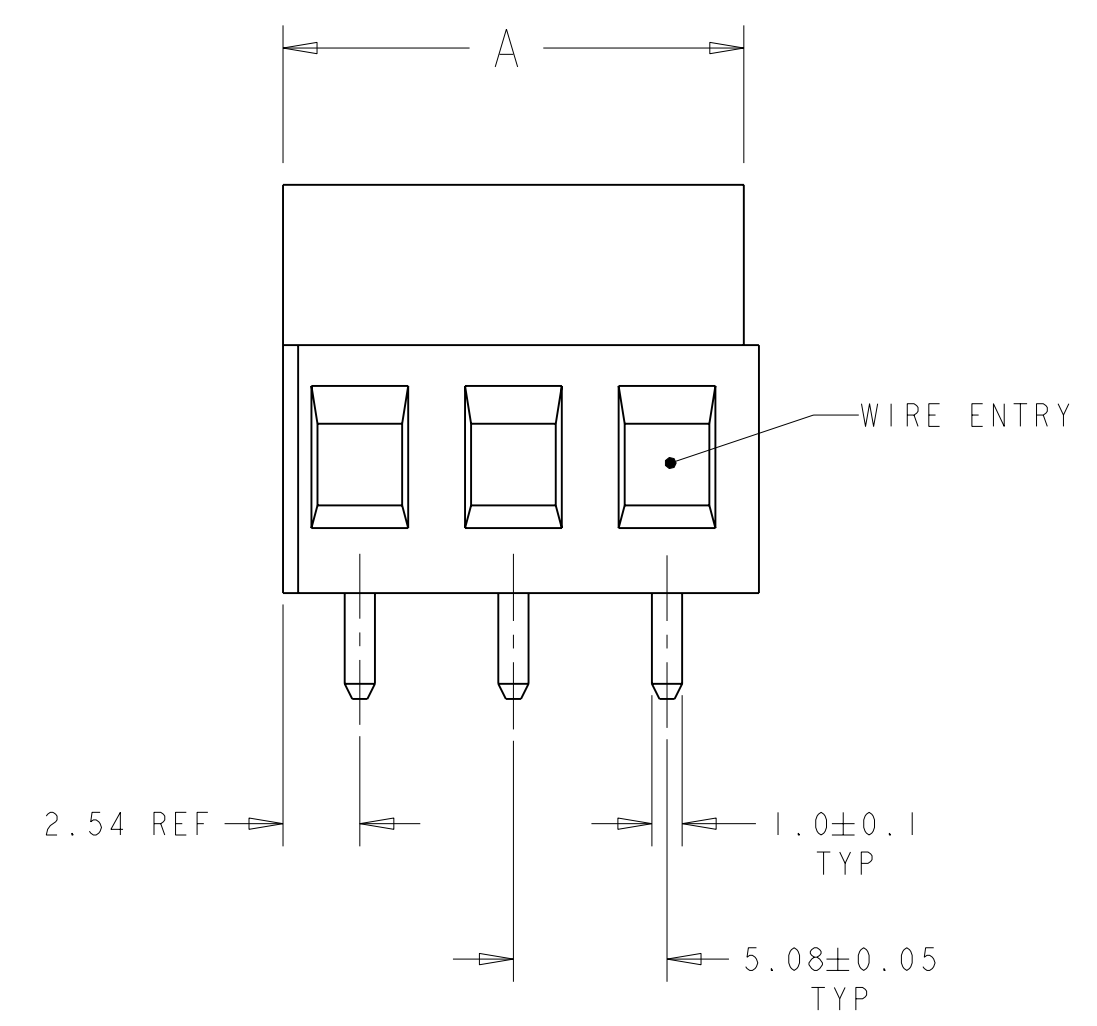
THIS DRAWING IS UNPUBLISHED. RELEASED FOR PUBLICATION 20
 © COPYRIGHT 20 BY TYCO ELECTRONICS CORPORATION. ALL RIGHTS RESERVED.

LOC		DIST		REVISIONS			
P	LTR	DESCRIPTION	DATE	DWN	APVD		
0		RELEASED EC 0G3B-0612-04	02JUN2005	SW	CR		



1776126-3 AS SHOWN

1. MATERIALS AND FINISH:
 HOUSING: HIGH TEMPERATURE POLYAMIDE, UL 94-V0 RATED,
 COLOR: BLACK.
 CLAMP: BRASS, NICKEL PLATED.
 TERMINAL: BRASS, TIN PLATED.
 CLAMPING SCREW: M3, BRASS, NICKEL PLATED.
2. SUITABLE FOR 1,6-2,4mm. PCB THICKNESS.
3. END-TO-END STACKABLE W/INTERLOCK WITHOUT LOSS OF CENTERLINE SPACING.
4. WIRE SIZE RANGE: 12-30 AWG.
5. RECOGNIZED UNDER THE COMPONENT PROGRAM OF UNDERWRITERS LABORATORIES INC. FILE No E60677.
6. IMQ CERTIFICATE WITH SURVEILLANCE IN CONFORMITY WITH IEC 998-1/998-2-1.



RECOMMENDED PC BOARD LAYOUT
 SCALE 5:1

THIS DRAWING IS A CONTROLLED DOCUMENT FOR TYCO ELECTRONICS CORPORATION. IT IS SUBJECT TO CHANGE AND THE CONTROLLING ENGINEERING ORGANIZATION SHOULD BE CONTACTED FOR THE LATEST REVISION.		DWN S. WELDON 02JUN2005	15.24		3	1776126-3
		CHK C. RICHARD 02JUN2005	10.16		2	1776126-2
		APVD C. RICHARD 02JUN2005	A		POSN	PART NUMBER
		PRODUCT SPEC	BUCHANAN Tyco Electronics Harrisburg, PA 17105-3608			
		APPLICATION SPEC	NAME TERMINAL BLOCK, PCB MOUNT, STACKABLE W/ INTERLOCK, SIDE WIRE ENTRY, 5.08mm PITCH			
		WEIGHT	SIZE A2	CAGE CODE 00779	DRAWING NO C=1776126	RESTRICTED TO
MATERIAL		FINISH	CUSTOMER DRAWING		SCALE 5:1	SHEET 1 OF 1
					REV 0	