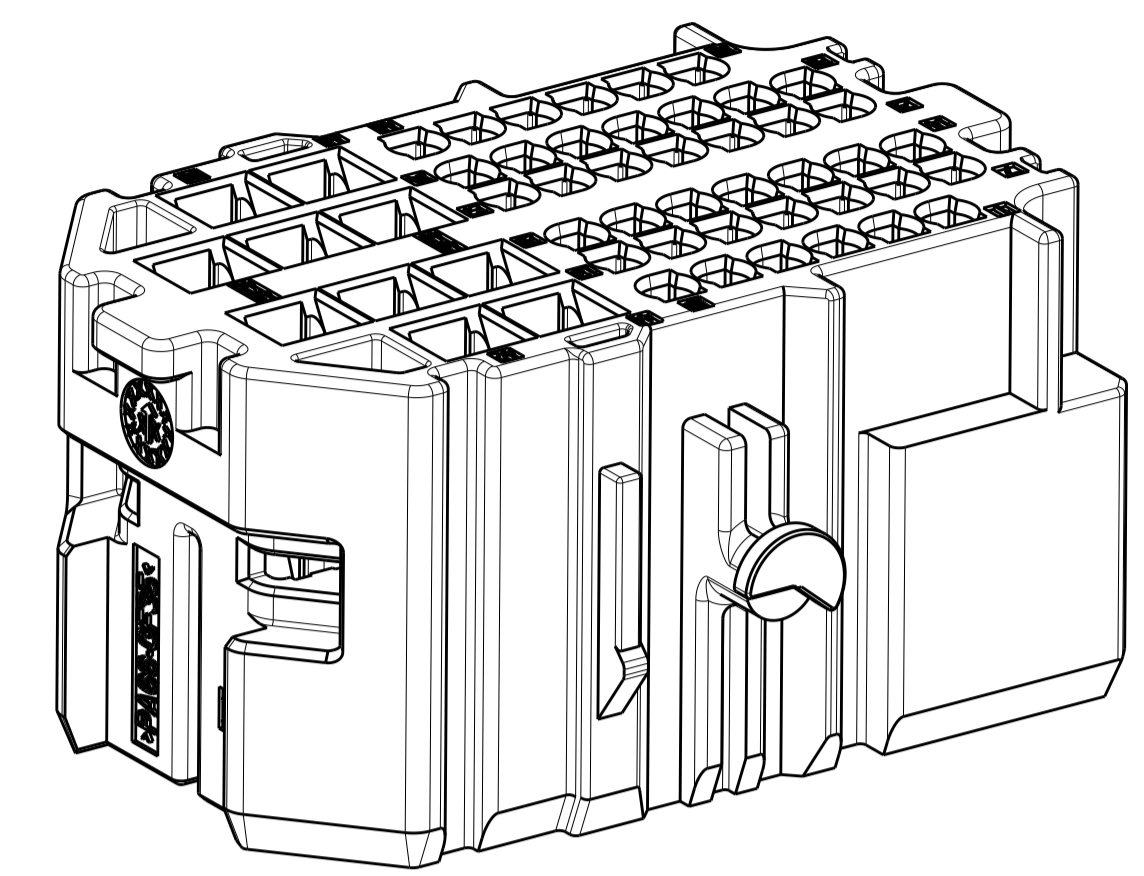
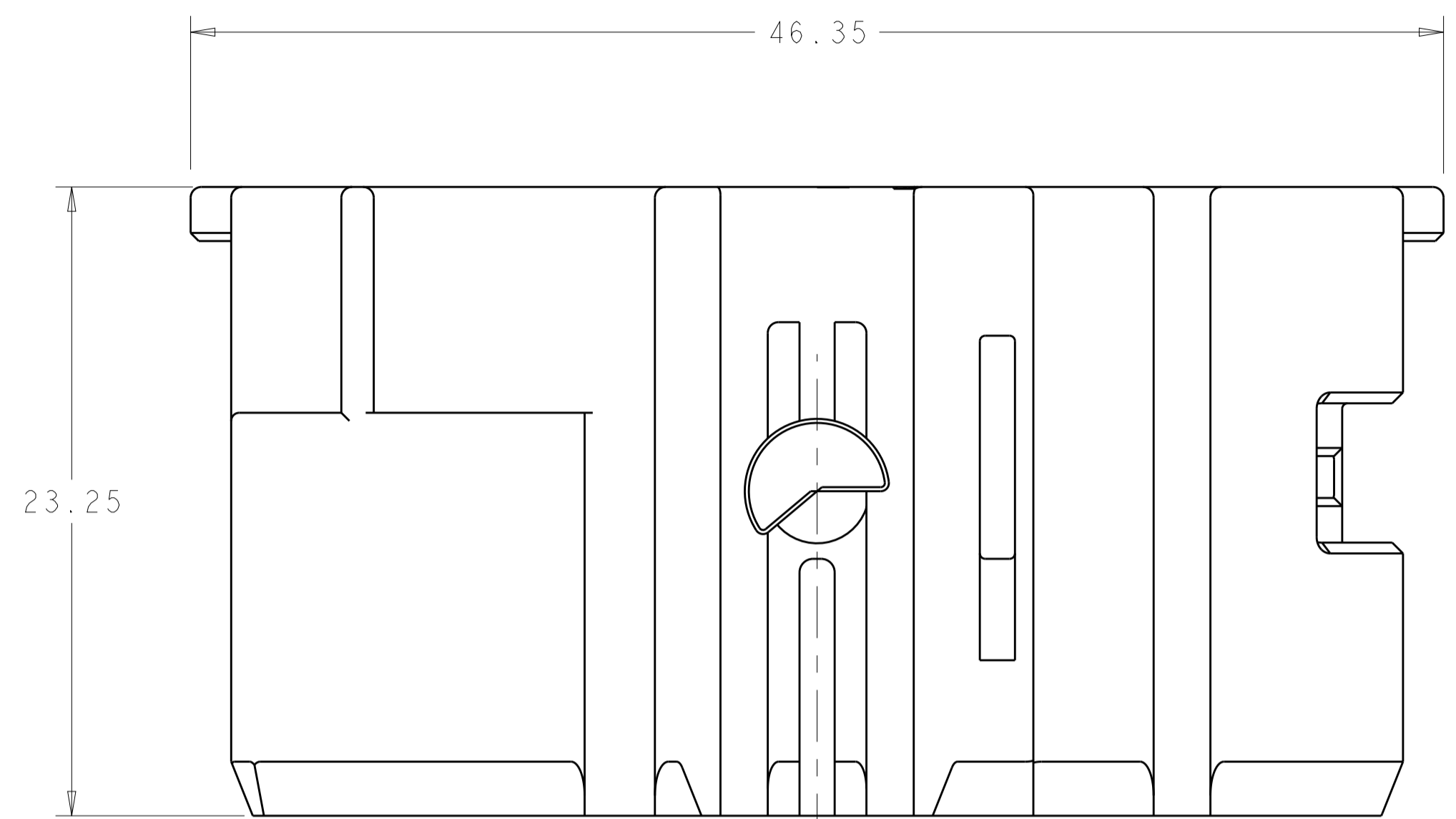
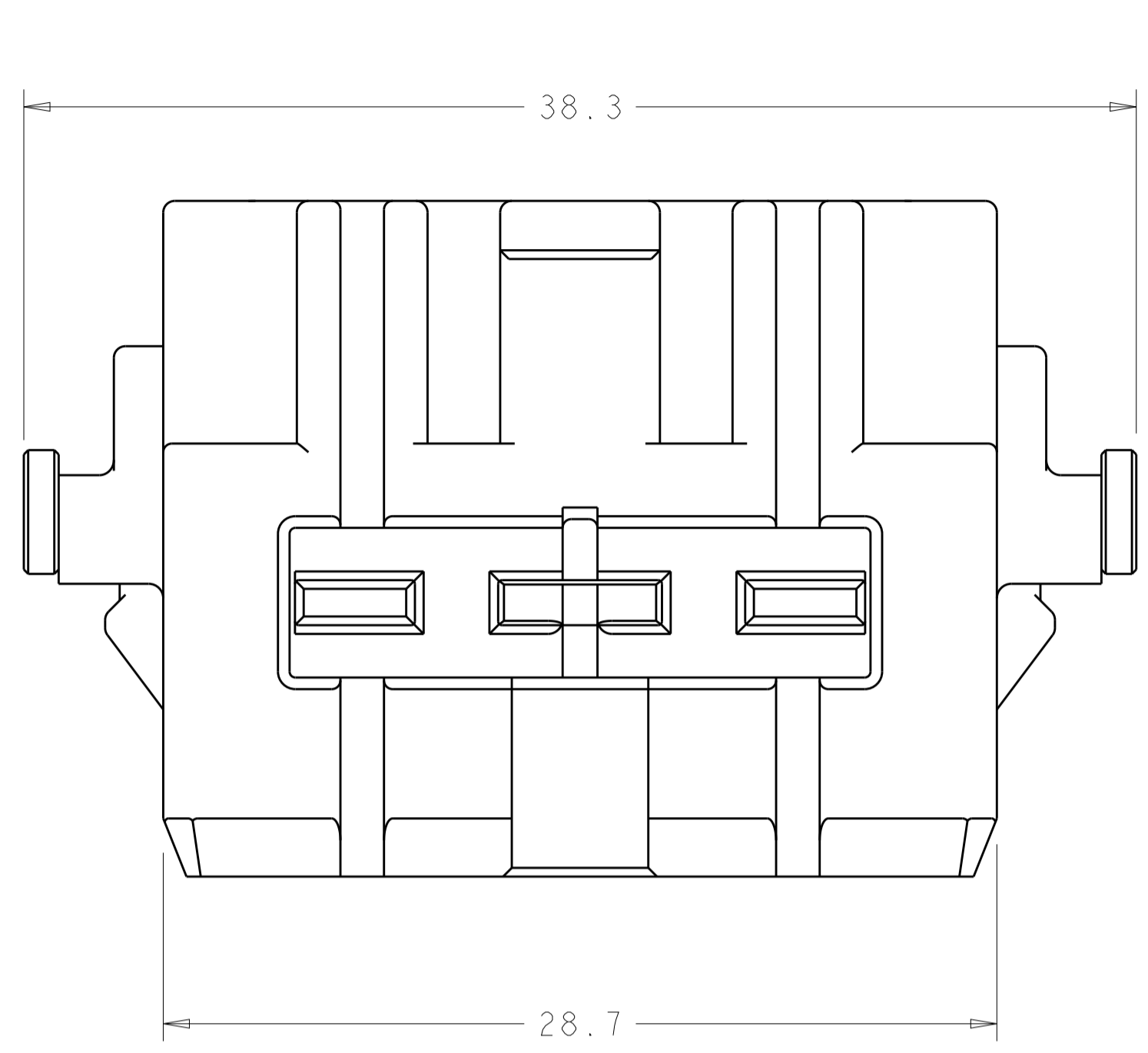
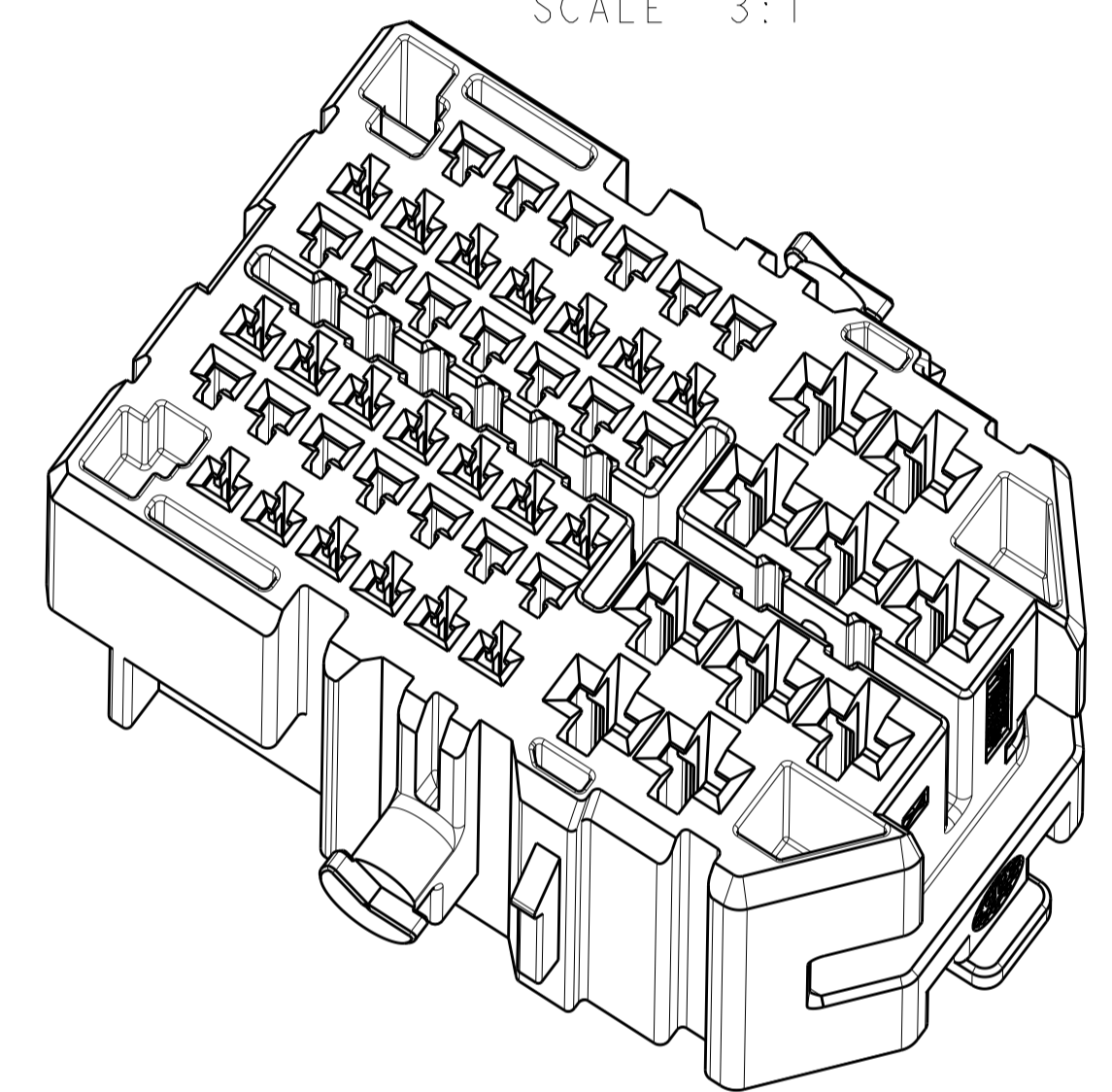


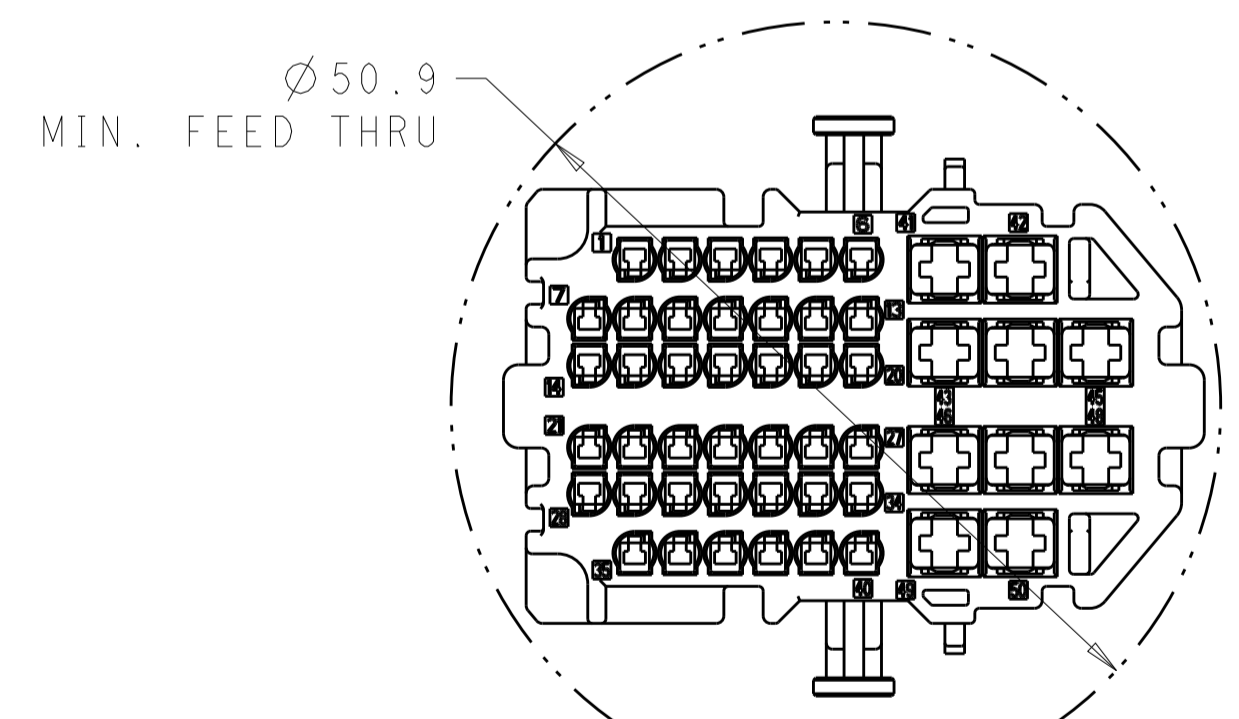
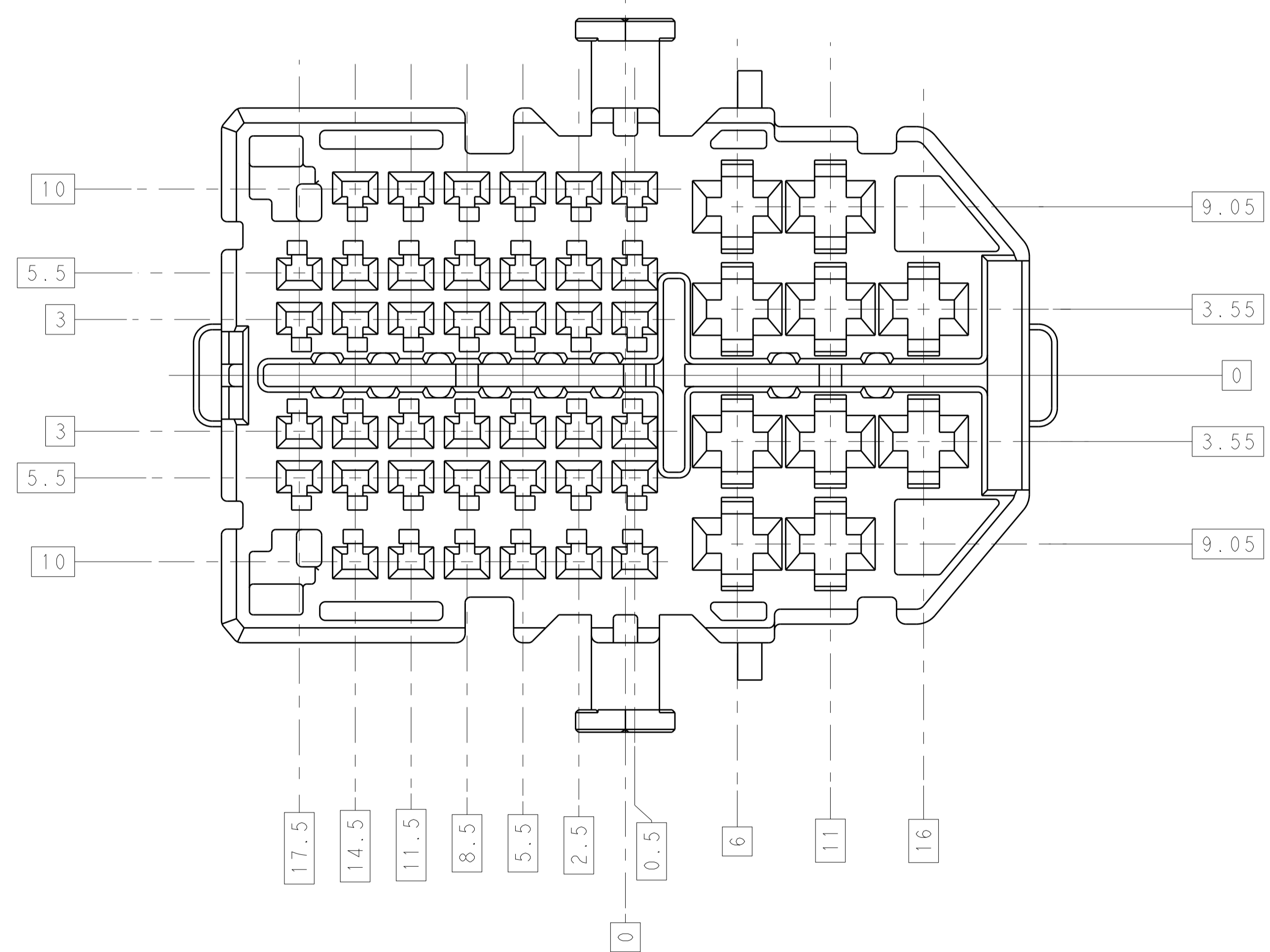
LOC		DIST		REVISIONS			
P	LTN	DESCRIPTION	DATE	DMN	APVD		
A		REV PER ECR-12-004053	01MAR2012	MBH	AJV		
A1		REV PER ECR-12-006015	29MAR2012	AJV	AJV		
B		REV PER ECR-12-015865	07SEP2012	AJV	AJV		



ISOMETRIC VIEWS  
SCALE 3:1



APPLICABLE COMPONENTS CHART			
TE PART #	FINISH	WIRE SIZE	DESCRIPTION
1452653-1	TIN	0.25-0.35mm <sup>2</sup>	MCON 1.2 RECEPTACLE
1452653-2	GOLD		
1452653-3	SILVER		
1452656-1	TIN	0.50-0.75mm <sup>2</sup>	
1452656-2	GOLD		
1452656-3	SILVER		
1452659-1	TIN	1.0mm <sup>2</sup>	
1452659-2	GOLD		
1452659-3	SILVER		
1564982-1	TIN	0.20-0.35mm <sup>2</sup>	MCP 2.8 RECEPTACLE
1564982-2	GOLD		
1564982-3	SILVER		
1241388-1	TIN	0.50-1.00mm <sup>2</sup>	
1241388-2	GOLD		
1241388-3	SILVER		
1241390-1	TIN	1.00-2.50mm <sup>2</sup>	
1241390-2	GOLD		
1241390-3	SILVER		



SCALE 2:1

- NOTES:
- MATERIAL: NYLON 6/6, 35% GLASS FILLED
  - SEE APPLICABLE COMPONENTS CHART FOR MATING TERMINALS
  - SECONDARY LOCKS REQUIRED (PURCHASED SEPARATELY):  
 TE P/N 2138417-1 (2.8 MCP TERMINALS) - 1 REQ'D PER CONNECTOR  
 TE P/N 2138418-1 (1.2 MCON TERMINALS) - 1 REQ'D PER CONNECTOR
  - PART NUMBER 2138420-1 SHOWN IN GENERAL VIEWS.
  - MAXIMUM MATING FORCE OF THIS CONNECTOR WHEN FULLY POPULATED WILL EXCEED THE 75N LIMIT SUGGESTED BY USCAR-25. MATING FORCE OF 83N MAX WERE RECORDED DURING QUALIFICATION TESTING.

NOT TOOLED	D	2138420-4
NOT TOOLED	C	2138420-3
TOOLED	B	2138420-2
TOOLED	A	2138420-1
STATUS	KEY CODE	PART NUMBER

THIS DRAWING IS A CONTROLLED DOCUMENT. DWN: A. VASBINDER 08MAR2011  
 CHK: A. VASBINDER 09MAY2011  
 APVD: A. VASBINDER

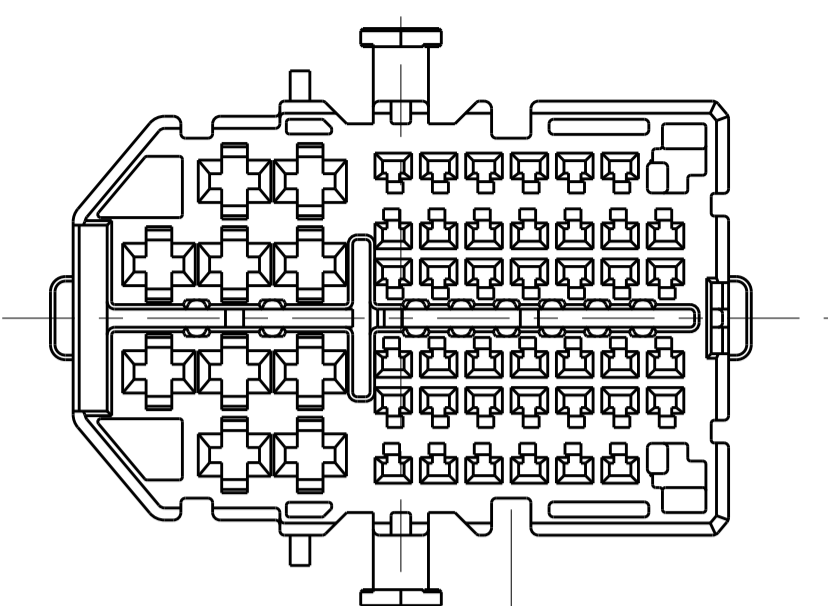
TE Connectivity

NAME: 50 WAY HYBRID, RECEPTACLE PLUG  
 MCON 1.2 / MCP 2.8 TERMINAL SYSTEMS

SIZE: A100779 C=2138420

SCALE: 2:1 SHEET 1 OF 2 REV B

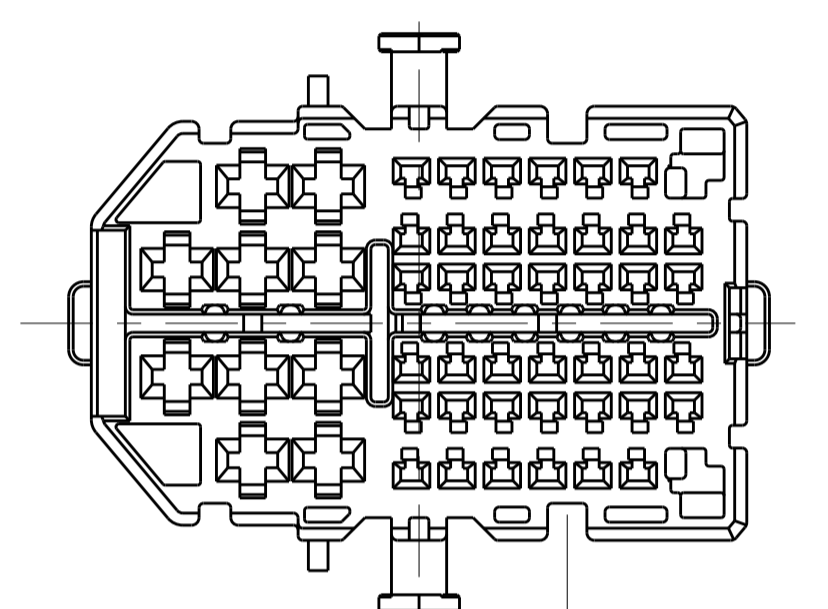
LOC		DIST		REVISIONS			
P	LTN	DESCRIPTION	DATE	OWN	APVD		
-	-	SEE SHEET 1	-	-	-		



2X (7.3)

SCALE 2:1

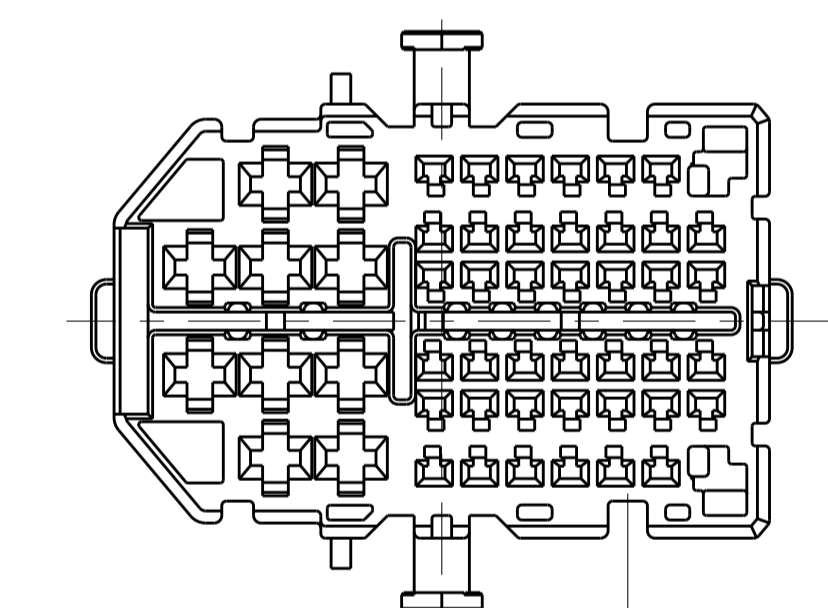
2138420-1 KEY CODE A



2X (9.8)

SCALE 2:1

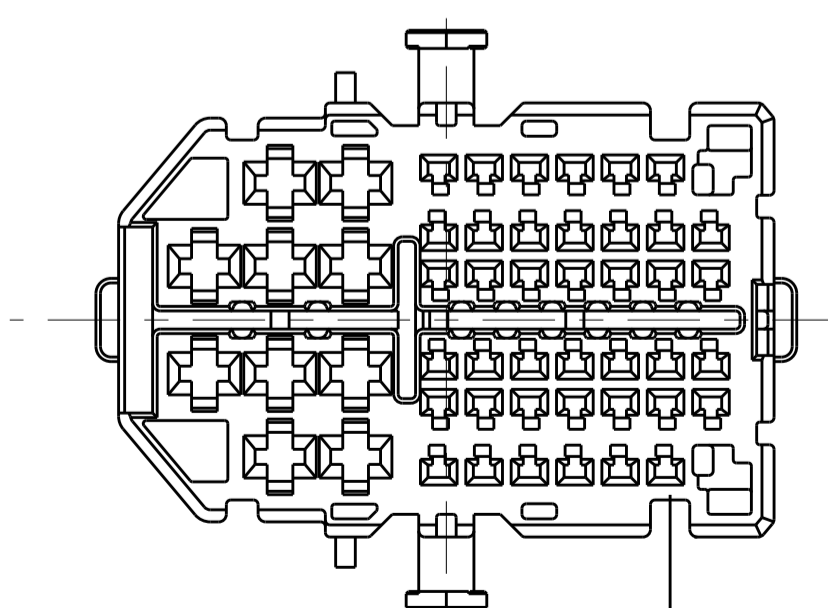
2138420-2 KEY CODE B



2X (12.3)

SCALE 2:1

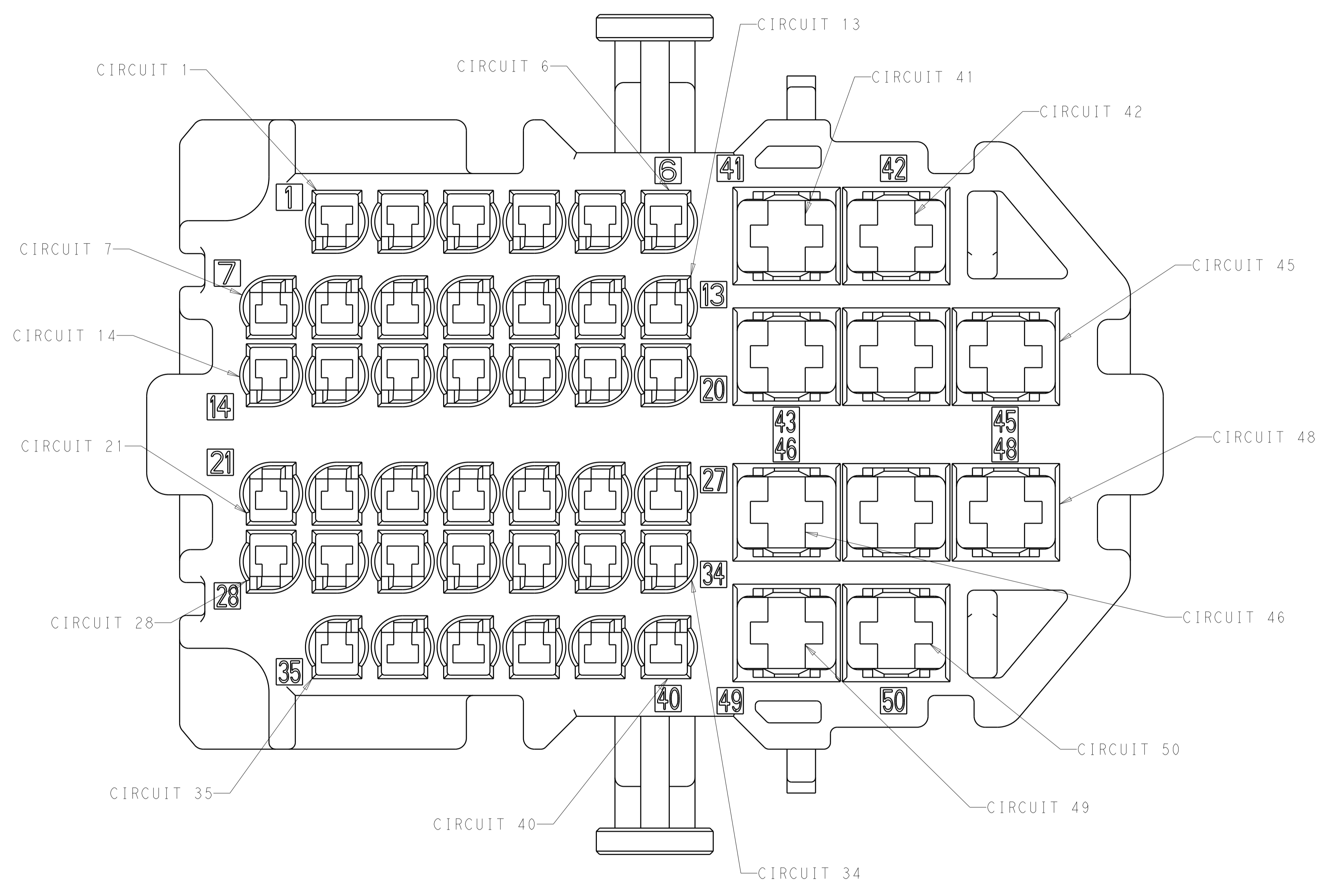
2138420-3 KEY CODE C



2X (8.6)

SCALE 2:1

2138420-4 KEY CODE D



CIRCUIT NUMBERING  
 SCALE 8:1  
 WIRE SIDE OF CONNECTOR

THIS DRAWING IS A CONTROLLED DOCUMENT.		OWN: A. VASBINDER 08MAR2011	TE Connectivity
DIMENSIONS: mm		CHK: A. VASBINDER 09MAY2011	
TOLERANCES UNLESS OTHERWISE SPECIFIED:		APVD: -	NAME: 50 WAY HYBRID, RECEPTACLE PLUG
0 PLC	±	PRODUCT SPEC	MCON 1.2 / MCP 2.8 TERMINAL SYSTEMS
1 PLC	±0.5	APPLICATION SPEC	SIZE: A1
2 PLC	±0.3	WEIGHT	CAGE CODE: 2138420
3 PLC	±	CUSTOMER DRAWING	SCALE: 2:1
4 PLC	±		SHEET: 2 OF 2
ANGLES	±		REV: B
FINISH	±		