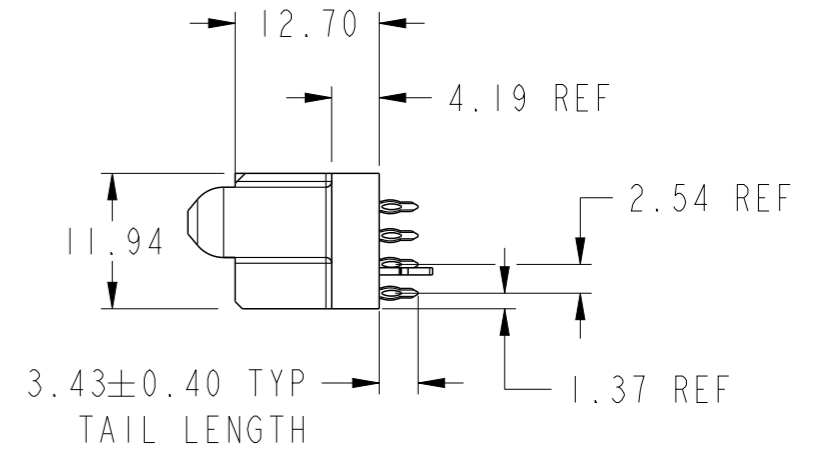
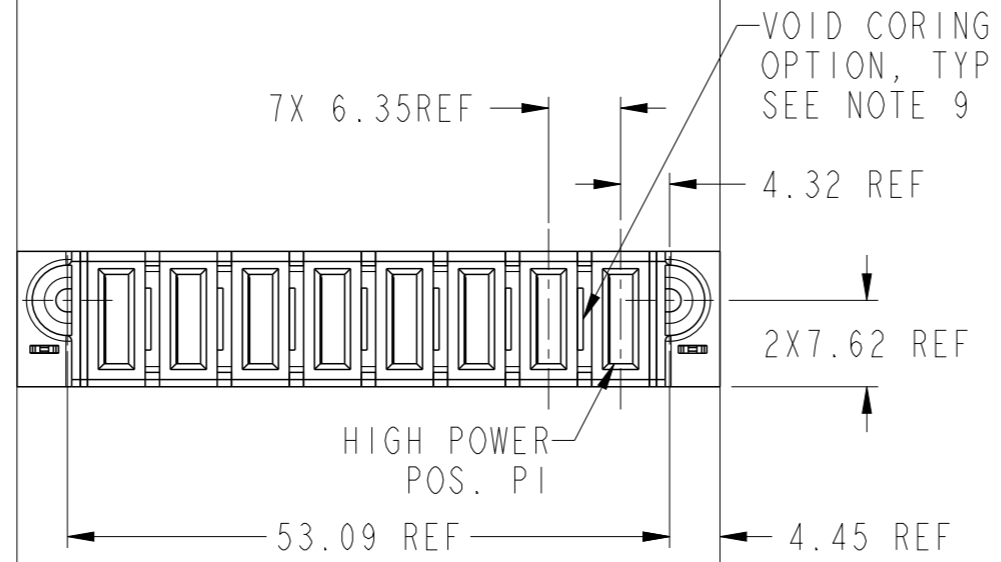
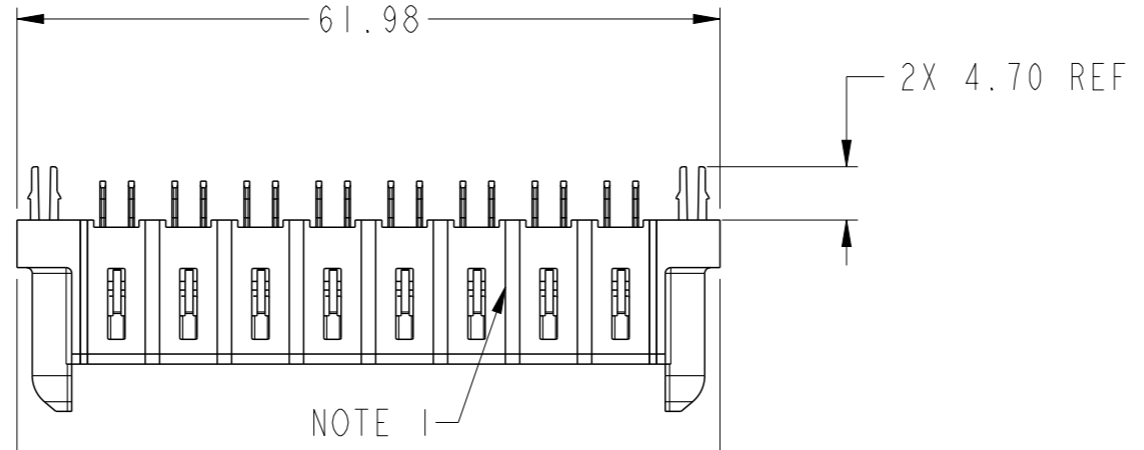
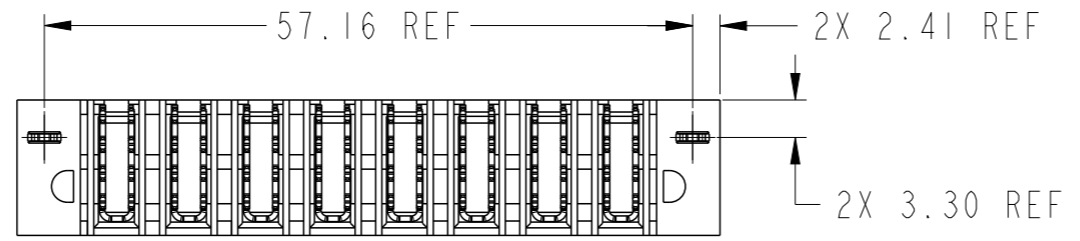


PRODUCT NUMBER SEE SHEET 2



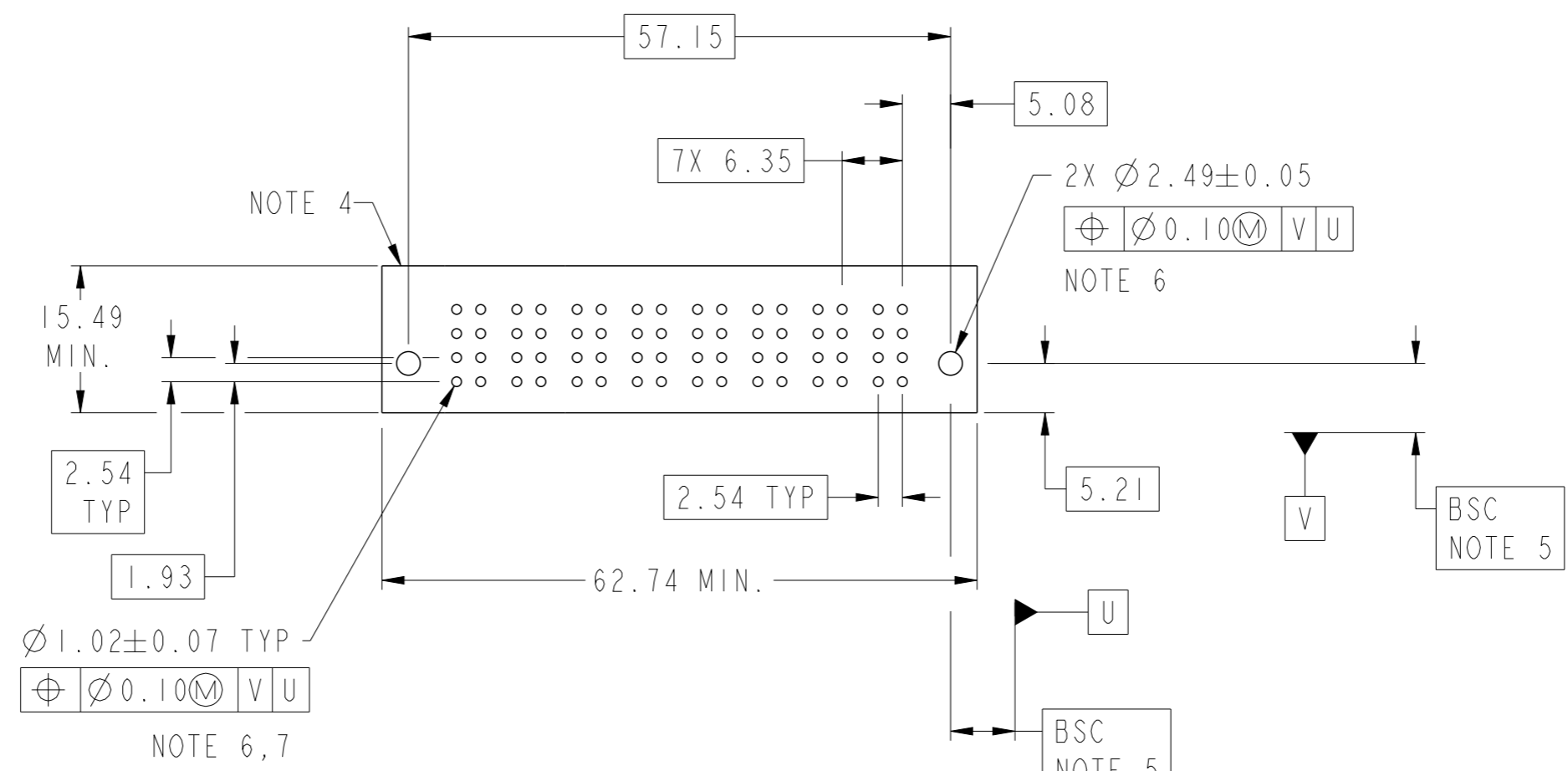
Copyright FCI.

spec ref			dr	Kar Babu	2012/05/12
tolerance std	TOLERANCES UNLESS OTHERWISE SPECIFIED		eng	Eddy Zeng	2014/05/06
ASME Y14.5			chr	Li-He	2014/05/06
			appr	Pei-Ming Zheng	2014/05/06
surface	linear ✓	0.X	±0.5	title 8HP VT PF RECEPTACLE www.fci.com	
		0.XX	±0.25		
		0.XXX	±0.10		
ASME Y14.5	angular	0°	±2°	cat. no.	

projection	MM	size	A3	scale	3:2
product family	PowerBlade+	ecn no	-		
rel level	Released				
dwg no	10106131-8000001		rev	A	
Product - Customer Drw			sheet 1 of 3		

PRODUCT NO.	ROWS	HIGH POWER									
		E1	P8	P7	P6	P5	P4	P3	P2	P1	E2
10106131-8000001LF	D C B A		HG	HG	HG	HG	HG	HG	HG	HG	

CODE	DESCRIPTION
HA	METAL HOLD DOWN
HG	STD HIGH POWER CONTACT (3.43)



Copyright FCI.

dr	Kar Babu	2012/05/12	projection 	MM ←→	size	A3	scale	3:2		
eng	Eddy Zeng	2014/05/06			ecn no	-				
chr	Li-He	2014/05/06			rel level	Released				
appr	Pei-Ming Zheng	2014/05/06	product family	PowerBlade+						
www.fci.com		cat. no.	title		8HP	dwg no		10106131-8000001	rev	A
			Product - Customer Drw		sheet 2 of 3					

A

B

C

D

A

B

C

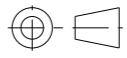
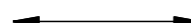

D

NOTES:

- 1) "FCI", PART NUMBER AND DATE CODE TO BE MARKED ON THIS SURFACE.
THE P/N CAN BE OMITTED IF THERE IS NOT ENOUGH SPACE ON THIS SURFACE.
- 2) MATERIALS:
-HOUSING - GLASS FILLED WITH HIGH TEMP THERMOPLASTIC, UL94V-0.
-SIGNAL CONTACT - COPPER ALLOY.
-POWER CONTACT - HIGH CONDUCTIVITY COPPER ALLOY.
- 3) PLATING SPECIFICATION REFER TO FCI 10116351
- 4) DENOTES CONNECTOR KEEP OUT ZONE.
- 5) DATUM AND BASIC DIMENSIONS WERE ESTABLISHED BY CUSTOMER.
- 6) ALL HOLE DIAMETERS ARE FINISHED HOLE SIZES.
- 7) 1.15 ± 0.025 MM DRILLED HOLE PLATED WITH 0.00762MM MIN Sn
OVER 0.0254-0.0762MM Cu PLATING TO ACHIEVE A 1.02 ± 0.07 MM HOLE.
- 8) PRODUCT SPECIFICATION REFER TO FCI GS-12-658.
APPLICATION SPECIFICATION REFER TO FCI GS-20-141.
PRODUCT PACKAGED IN TRAYS, REFER TO FCI GS-14-1502.
- 9) THE VOID CORING IN BETWEEN POWER MODULES, SIGNAL
MODULES AND END MODULES ARE OPTIONAL AND THE SHAPE
MAY BE DIFFERENT FOR OPTIMIZE THE MOLDING PROCESS. THE
VOID CORING WILL NOT EFFECT TO PRODUCT FUNCTION.



Copyright FCI.

dr	Kar Babu	2012/05/12	projection 	MM 	size	A3	scale	1:1
eng	Eddy Zeng	2014/05/06			ecn no	-		
chr	Li-He	2014/05/06			rel level	Released		
appr	Pei-Ming Zheng	2014/05/06			product family	PowerBlade+		
		title 8HP VT PF RECEPTACLE	dwg no 10106131-8000001	rev A				
www.fci.com		cat. no.	Product - Customer Drw		sheet 3 of 3			