


# Sensor/Actuator cable - SAC-HZ-3P-MR/1,5-542/ FSSHSCOBK - 1409517

Please be informed that the data shown in this PDF Document is generated from our Online Catalog. Please find the complete data in the user's documentation. Our General Terms of Use for Downloads are valid (<http://phoenixcontact.com/download>)

Sensor/Actuator cable, 3-position, PVC, yellow, shielded, Plug angled M12 SPEEDCON, A-coded, on Socket straight M12 SPEEDCON, A-coded, Cable length: 1.5 m



## Key Commercial Data

|                        |   |
|------------------------|---|
| Packing unit           | 1 STK   |
| Minimum order quantity | 10 STK  |
| GTIN                   | <br>4 055626 017716 |
| GTIN                   | 4055626017716   |

## Technical data

### Dimensions

|                 |       |
|-----------------|-------|
| Length of cable | 1.5 m |
|-----------------|-------|

### Ambient conditions

|                                 |                                  |
|---------------------------------|----------------------------------|
| Ambient temperature (operation) | -25 °C ... 90 °C (Plug / socket) |
| Degree of protection            | IP65                             |
|                                 | IP67                             |

### General

|                              |   |
|------------------------------|---|
| Note                         | These cable assemblies are UL/cUL listed for use in Class I, Division 2 (CID2) hazardous locations. |
| Number of positions          | 3   |
| Coding                       | A - standard  |
| Standards/regulations        | M12 connector IEC 61076-2-101   |
| Status display               | No  |
| Protective circuit/component | Unwired   |
| Overvoltage category         | II  |
| Degree of pollution          | 3   |

# Sensor/Actuator cable - SAC-HZ-3P-MR/1,5-542/ FSSHSCOBK - 1409517

## Technical data

### General

|        |                        |
|--------|------------------------|
| Torque | 0.4 Nm (M12 connector) |
|--------|------------------------|

### Material

|  |   |
|--|---|
| Flammability rating according to UL 94 | HB  |
| Contact material                       | CuSn  |
| Contact surface material               | Ni/Au                                       |
| Contact carrier material               | TPU GF                                      |
| Material of grip body                  | TPU, hardly inflammable, self-extinguishing |
| Material, knurls                       | Zinc die-cast, nickel-plated                |
| Sealing material                       | NBR   |

### Standards and Regulations

|  |                                    |
|--|------------------------------------|
| Standard designation                   | M12 connector                      |
| Standards/regulations                  | IEC 61076-2-101                    |
| Flammability rating according to UL 94 | HB                                 |
| UL, USA/Canada                         | Class I, Div. 2, Groups A, B, C, D |

### Cable

|   |                              |
|---|------------------------------|
| Cable type                                    | PVC yellow 105 °C            |
| Cable type (abbreviation)                     | 542                          |
| UL AWM style                                  | 2517 (105 °C / 300 V)        |
| AWG signal line                               | 22                           |
| Core diameter including insulation            | 1.27 mm ±0.03 mm             |
| Wire colors                                   | brown, blue, black           |
| Overall twist                                 | 3 wires, twisted             |
| Shielding                                     | Tinned copper braided shield |
| Optical shield covering                       | 85 %                         |
| External sheath, color                        | yellow                       |
| External cable diameter D                     | 5.2 mm ±0.2 mm               |
| Minimum bending radius, flexible installation | 12 x D                       |
| Cable weight                                  | 40 kg/km                     |
| Outer sheath, material                        | PVC                          |
| Material conductor insulation                 | PVC                          |
| Conductor material                            | Tin-plated Cu litz wires     |
| Insulation resistance                         | ≥ (550 M Ohms/m @ 500V)      |
| Conductor resistance                          | max. 50.5 Ω/km (20° C)       |
| Nominal voltage, cable                        | 300 V                        |
| Special properties                            | UL standards PLTC and ITC    |
| Flame resistance                              | FT4                          |
| Other resistance                              | UV resistant                 |

# Sensor/Actuator cable - SAC-HZ-3P-MR/1,5-542/ FSSHSCOBK - 1409517

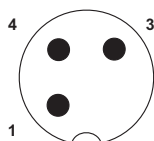
## Technical data

### Cable

|                                 |   |
|---------------------------------|---|
| Ambient temperature (operation) | -30 °C ... 105 °C (cable, fixed installation) |
|---------------------------------|---|

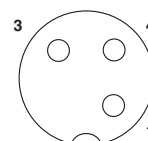
## Drawings

Schematic diagram



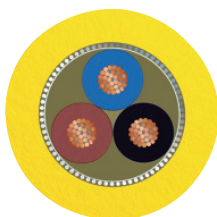
Pin assignment M12 plug, 3-pos., A-coded, view male side

Schematic diagram



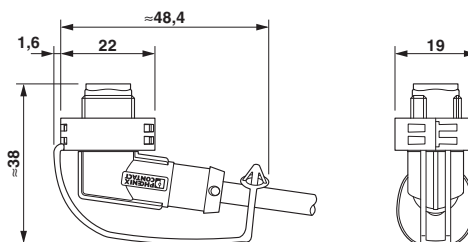
Pin assignment M12 socket, 3-pos., A-coded, view female side

Cable cross section



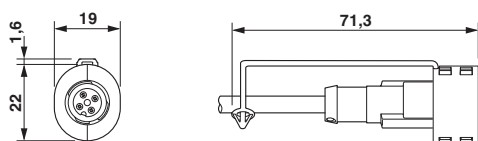
PVC yellow 105 °C [542]

Dimensional drawing



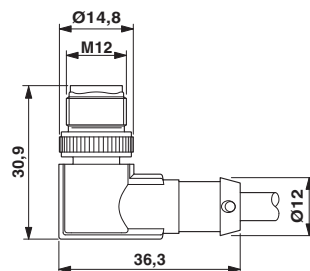
EXCLIP mounted plug

Dimensional drawing



EXCLIP mounted plug

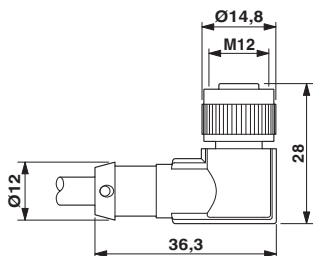
Dimensional drawing



M12 x 1 male plug, angled, shielded

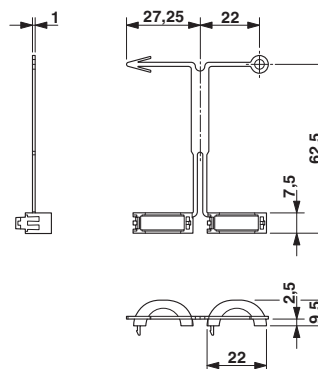
# Sensor/Actuator cable - SAC-HZ-3P-MR/1,5-542/ FSSHSCOBK - 1409517

Dimensional drawing



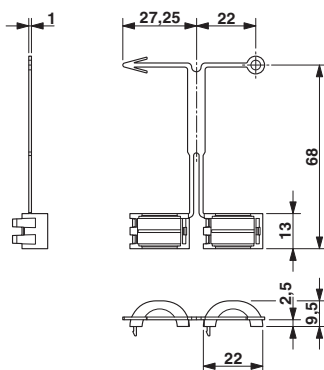
M12 x 1 socket, angled, shielded

Dimensional drawing



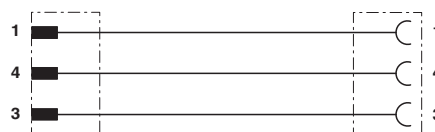
EXCLIP plug

Dimensional drawing



EXCLIP socket

Circuit diagram



Contact assignment of M8 plugs / M12 sockets