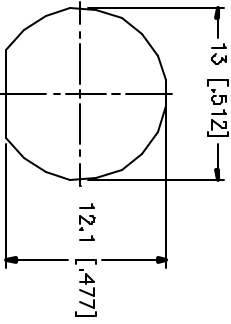
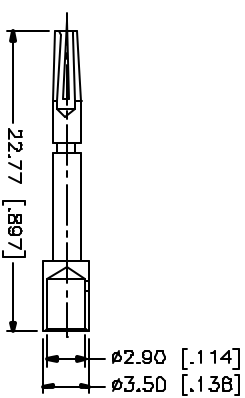
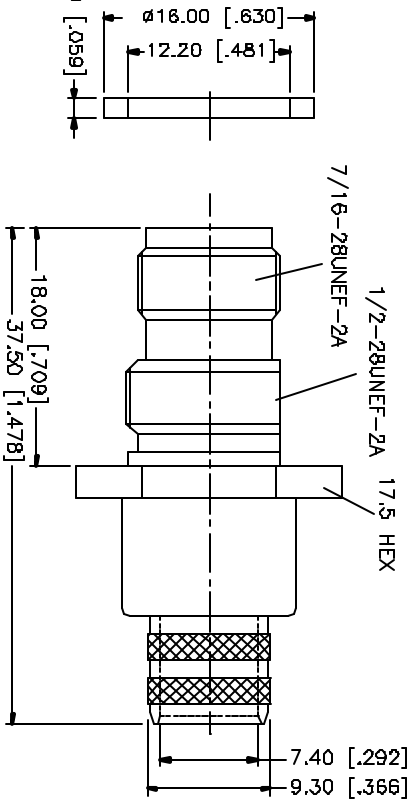
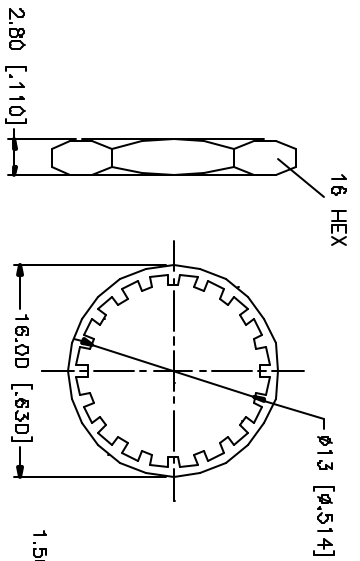
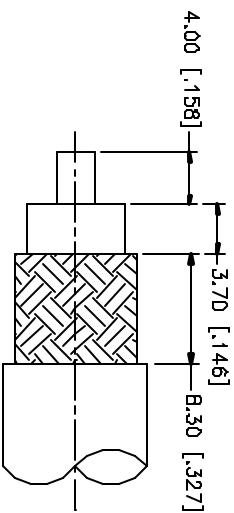


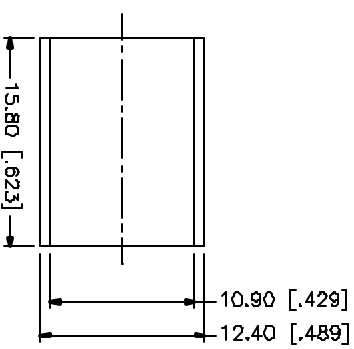
REV	DATE	DESCRIPTION
A	03/18/05	UPDATE DRAWING FORMAT



RECOMMENDED
MOUNTING HOLE



RECOMMENDED
CABLE STRIPPING DIM'S



- CRIMP NOTES:
1. CRIMPED FERRULE
HEX CRIMP SIZE .429"
 2. CRIMPED CONTACT PIN
HEX CRIMP SIZE .118"

QTY	FINISH	MATERIAL	DESCRIPTION
1	NICKEL	COPPER	FERRULE
1	NICKEL	BRASS	HEX NUT
1	NICKEL	BRASS	LOCK WASHER
1	RED	SILICONE	GASKET
1	NICKEL	BRASS	BARREL
1	GOLD	PHOS. BRONZE	CONTACT PIN
1	NATURAL	TEFLON	INSULATOR
1	NICKEL	BRASS	BODY

APPROVALS	DATE
DRAWN G.R.S.	03/18/05
CHECKED	
REVISED	
SHEET 1 OF 1	

PART NO.	PART DESCRIPTION
122405	TNC BULKHEAD CRIMP JACK (FOR BELDEN 8214, 9913, 9914)

DWG. NO.	REV.	SIZE	SCALE
122405.DWG	A	A	NA

DDO FILE	DDO NOT SCALE DRAWING
C:/122/122405.DWG	

UNLESS OTHERWISE SPECIFIED DIMENSIONS ARE IN MILLIMETERS (DIMENSIONS IN [] ARE IN INCHES) AND ARE PER ASSEMBLY RECOMMENDED DIM'S.

UNLESS OTHERWISE SPECIFIED TOLERANCES ARE:
 0.5 - Bore ± 0.20mm
 0 - 30mm ± 0.40mm
 30 - 120mm ± 0.50mm
 UNLESS OTHERWISE SPECIFIED DIMENSIONS PER INCHES ARE:
 .020 - .315 ± 0.007"
 .315 - 1.180 ± 0.015"
 1.180 - 4.724 ± 0.020"

Amphenol Connex