

DETAILS

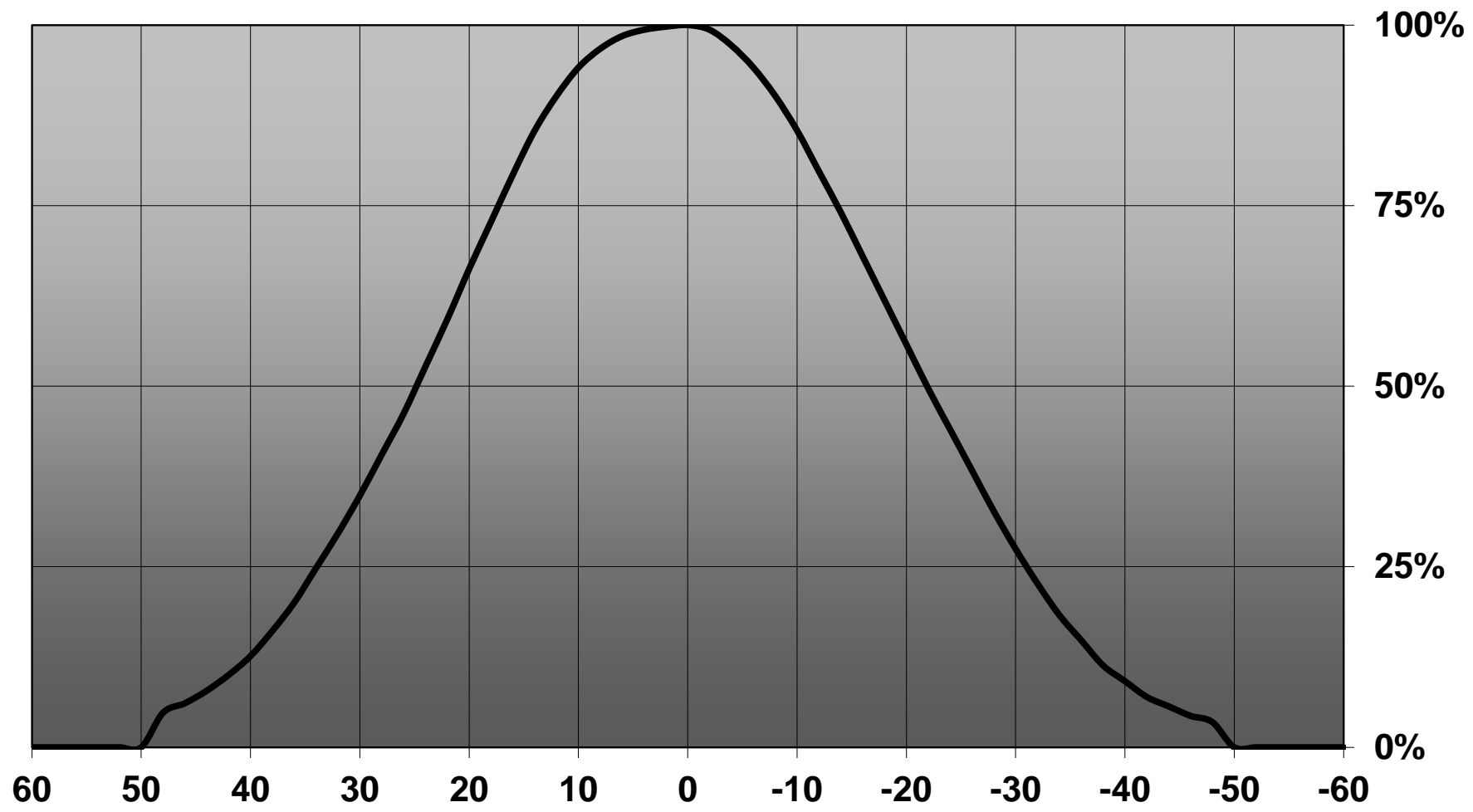
Product Number	CP12946_LARISA-WW-CLIP8
Family	Larisa
Type	Assembly
Color	black
Diameter	10x10 mm
Height	7,5 mm
Style	square
Optic Material	PMMA
Holder Material	
Fastening	glue, clips
Status	production ready
ROHS Compliant	Yes
Date Updated	9/12/2016



OPTICAL PROPERTIES

LED	Viewing Angle	Light Beam	Efficiency	cd/lm	Connector
XB-D	57 deg	Very Wide	84 %	0.900	-
LUXEON Rebel ES	60 deg	Very Wide	86 %	0.900	-
LUXEON Rebel	62 deg	Very Wide	88 %	0.900	-
LUXEON A	70 deg	Very Wide	85 %	0.700	-
NCSxx19A	52 deg	Very Wide	83 %	1.000	-
NVSxx19A	57 deg	Very Wide	90 %	0.900	-
NF2x757A	49 deg	Very Wide	87 %	1.230	-
NF2x757G	47 deg	Very Wide	85 %	1.140	-
Oslon SSL 80	66 deg	Very Wide	84 %	0.900	-
Duris S5 (2 chip)	50 deg	Very Wide	86 %	1.200	-

Relative intensity of CP12946_LARISA-WW-CLIP8_(NF2757G)



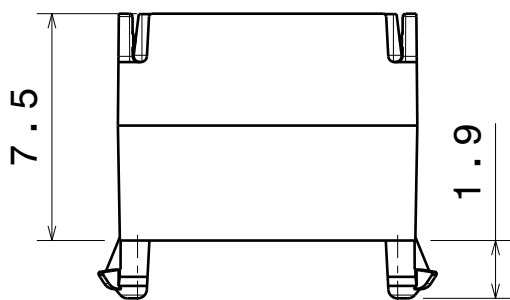
D

C

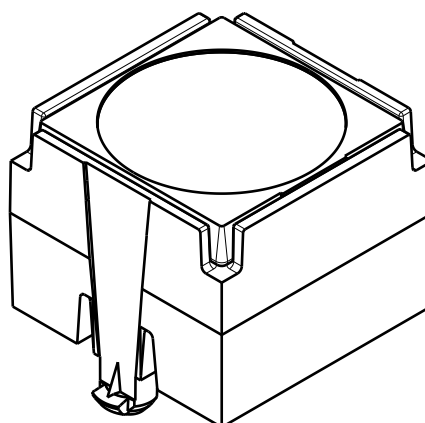
B

A

4

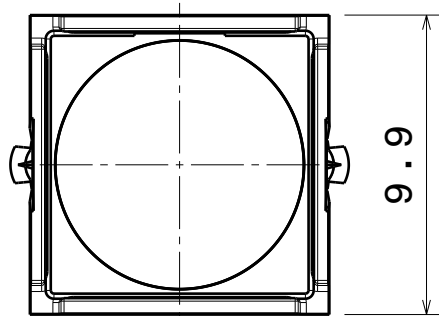


Front view

Isometric view
Scale: 4:1

3

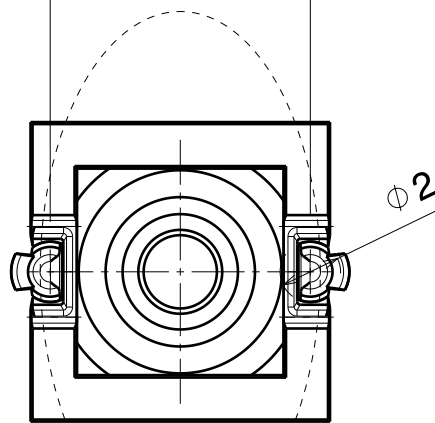
9.9



Top view

8.6

c / c



Bottom view

Oval beam direction

2

2

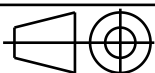
INDEX	PART NO	DESCRIPTION	MATERIAL	COLOUR
1	-	LARISA lens	PMMA	
2	C12907	LARISA-HOLDER-CLIP8	PC	black

Tolerances if not otherwise shown
According to DIN ISO 2768-1
Linear measures:
Up to 30mm class M, otherwise class C.
According to DIN ISO 2768-2
Form and position: class L

LEDiL

Ledil Oy
Salorankatu 10
FIN 24240 SALO
Finland

THIRD ANGLE PROJECTION:



DRAWING TITLE

LARISA-CLIP8

This drawing is the property
of LEDiL Oy. It may not be
reproduced, copied or
communicated without a written
agreement with LEDiL Oy.

SIZE PART NUMBER

A4

-

SCALE

4:1

WEIGHT

0,6 g

SHEET

1/1

1

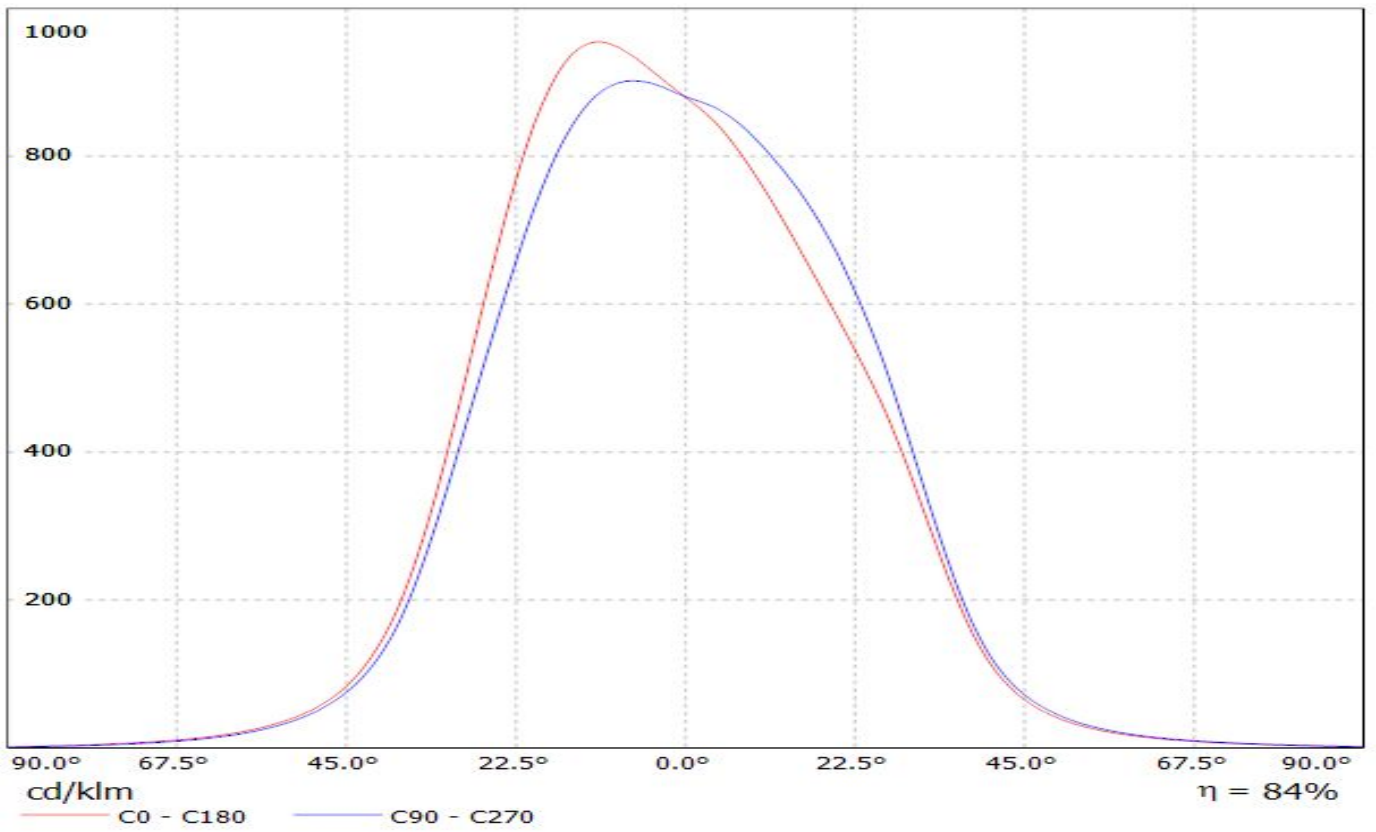
1

D

A

LEDiL Oy C12913_LARISA-WW_(XB-D) Eff.84.3% / LDC (Linear)

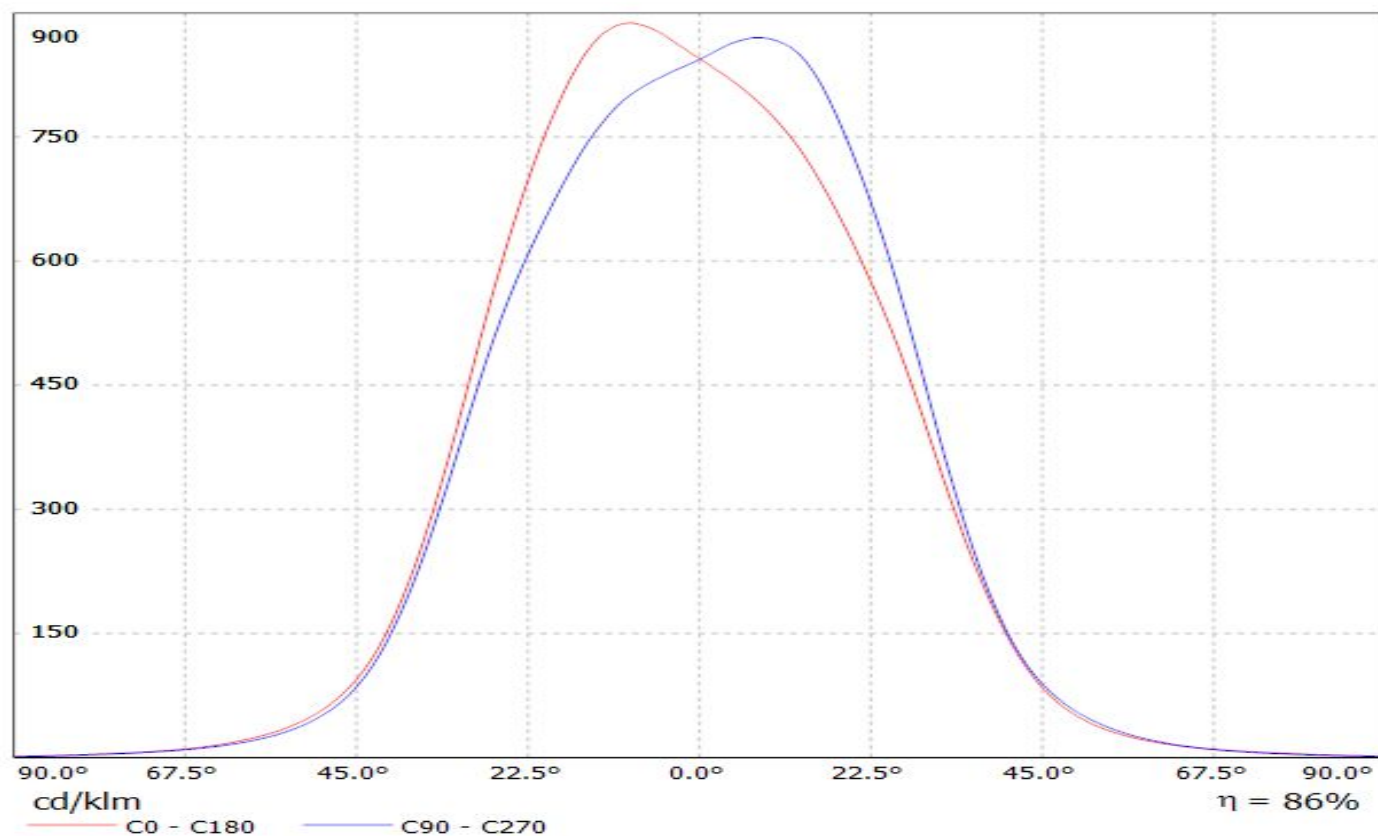
Luminaire: LEDiL Oy C12913_LARISA-WW_(XB-D) Eff.84.3%
Lamps: 1 x CREE XB-D (92.2lm@250mA)



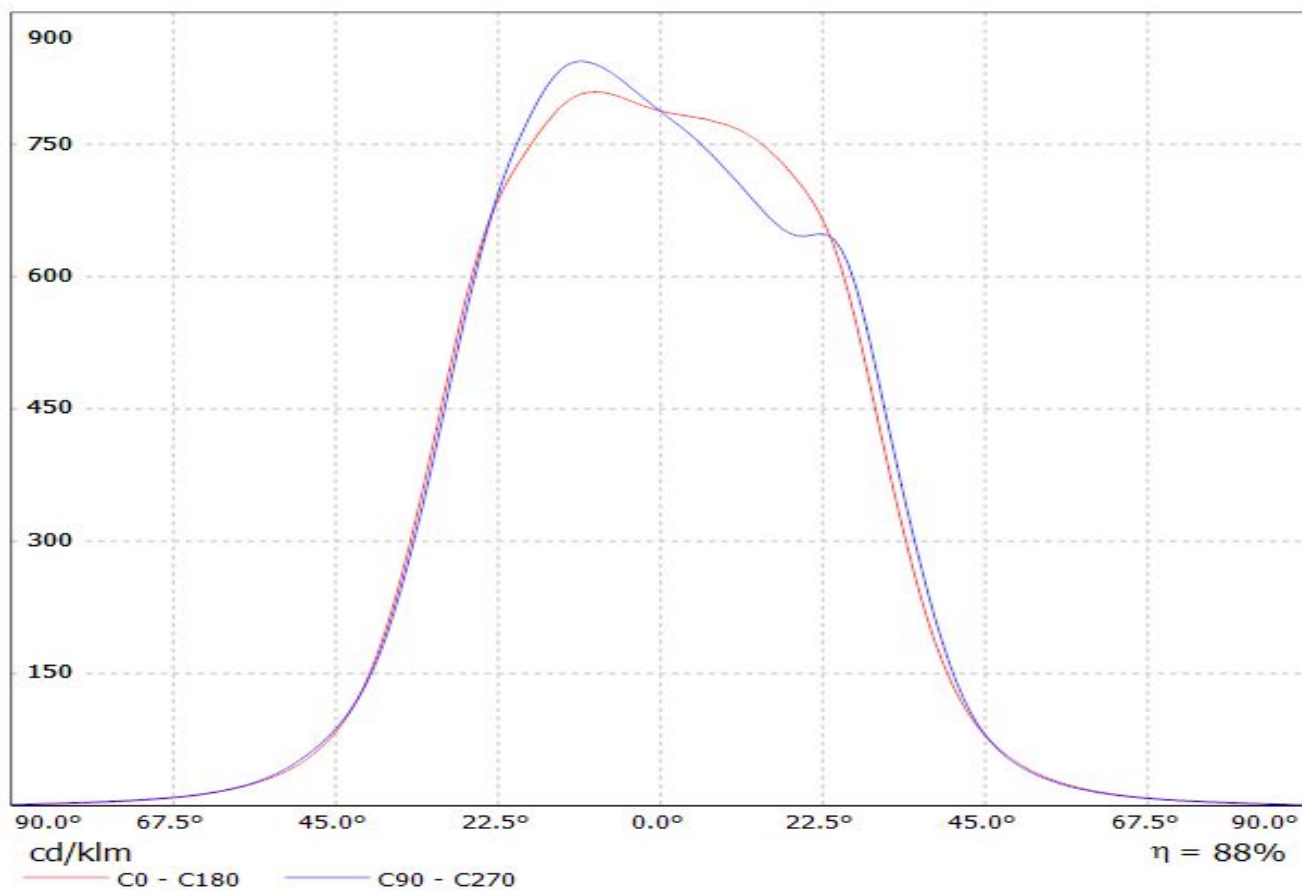
LEDiL Oy C12913_LARISA-WW_(Rebel_ES) Eff.86.4% / LDC (Linear)

Luminaire: LEDiL Oy C12913_LARISA-WW_(Rebel_ES) Eff.86.4%

Lamps: 1 x Rebel ES (91.8116lm@250mA)



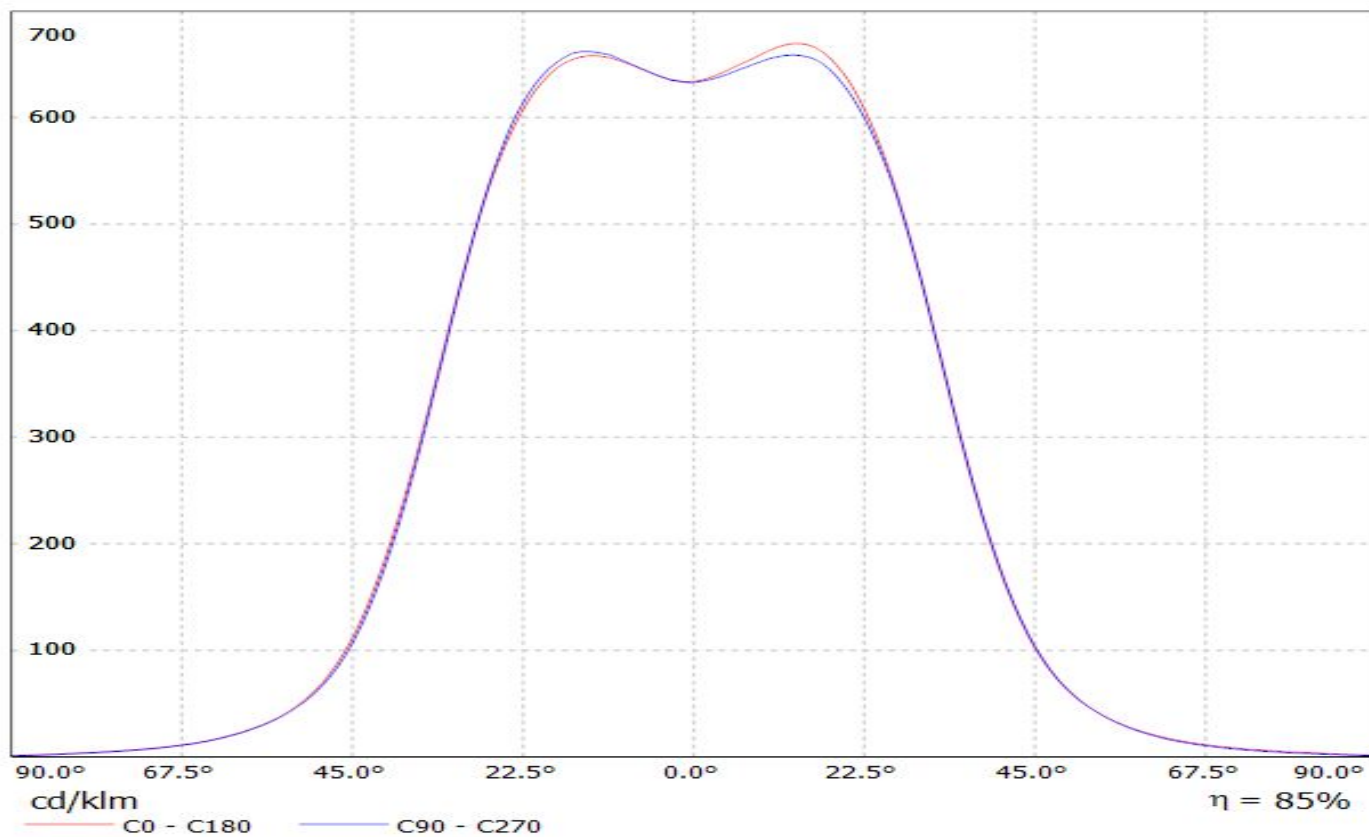
Luminaire: LEDiL Oy LARISA-WW_Rebel_(CLIP8&CLIP16) Eff.87.5%
Lamps: 1 x Rebel (80.8775lm@250mA)



LEDiL Oy C12913_LARISA-WW_(Luxeon_A) Eff.85.5% / LDC (Linear)

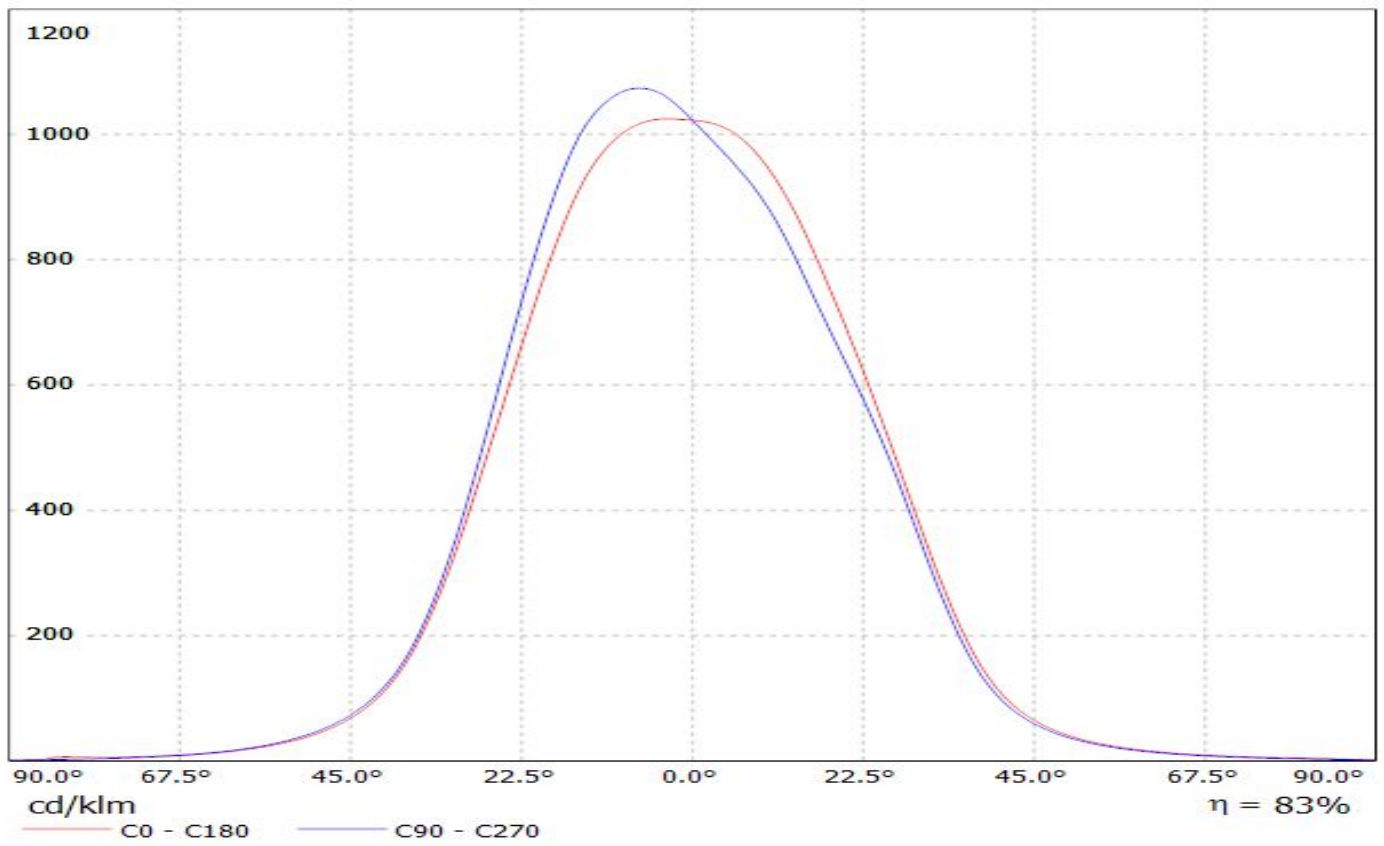
Luminaire: LEDiL Oy C12913_LARISA-WW_(Luxeon_A) Eff.85.5%

Lamps: 1 x Luxeon_A (66.4lm@250mA)



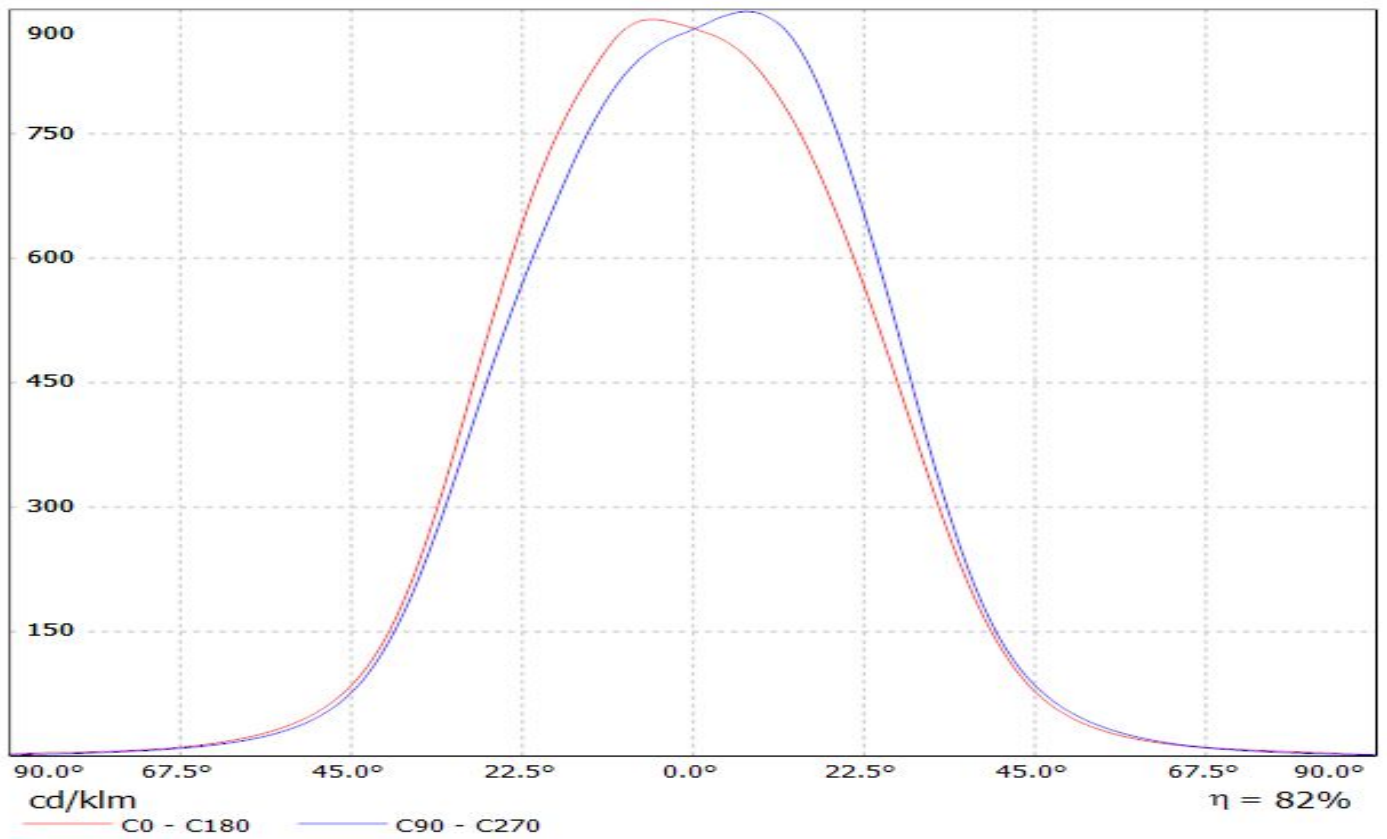
LEDiL Oy C12913_LARISA-WW_(NCS19) Eff.83.4% / LDC (Linear)

Luminaire: LEDiL Oy C12913_LARISA-WW_(NCS19) Eff.83.4%
Lamps: 1 x Nichia NCS19 (88lm@250mA)



LEDiL Oy C12913_LARISA-WW_(NVS19) Eff.82.3% / LDC (Linear)

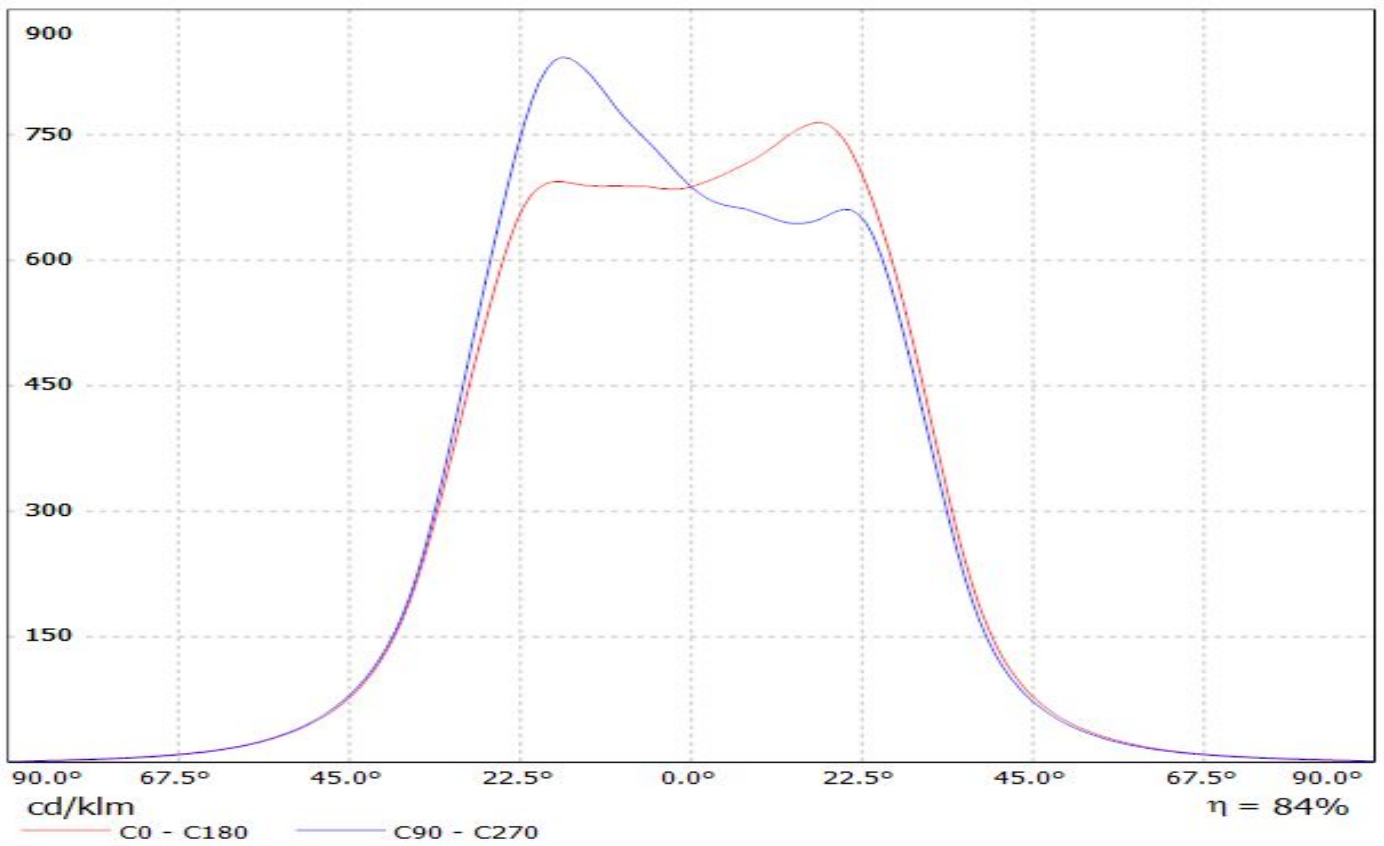
Luminaire: LEDiL Oy C12913_LARISA-WW_(NVS19) Eff.82.3%
Lamps: 1 x Nichia NVS19 (97.5lm@250mA)



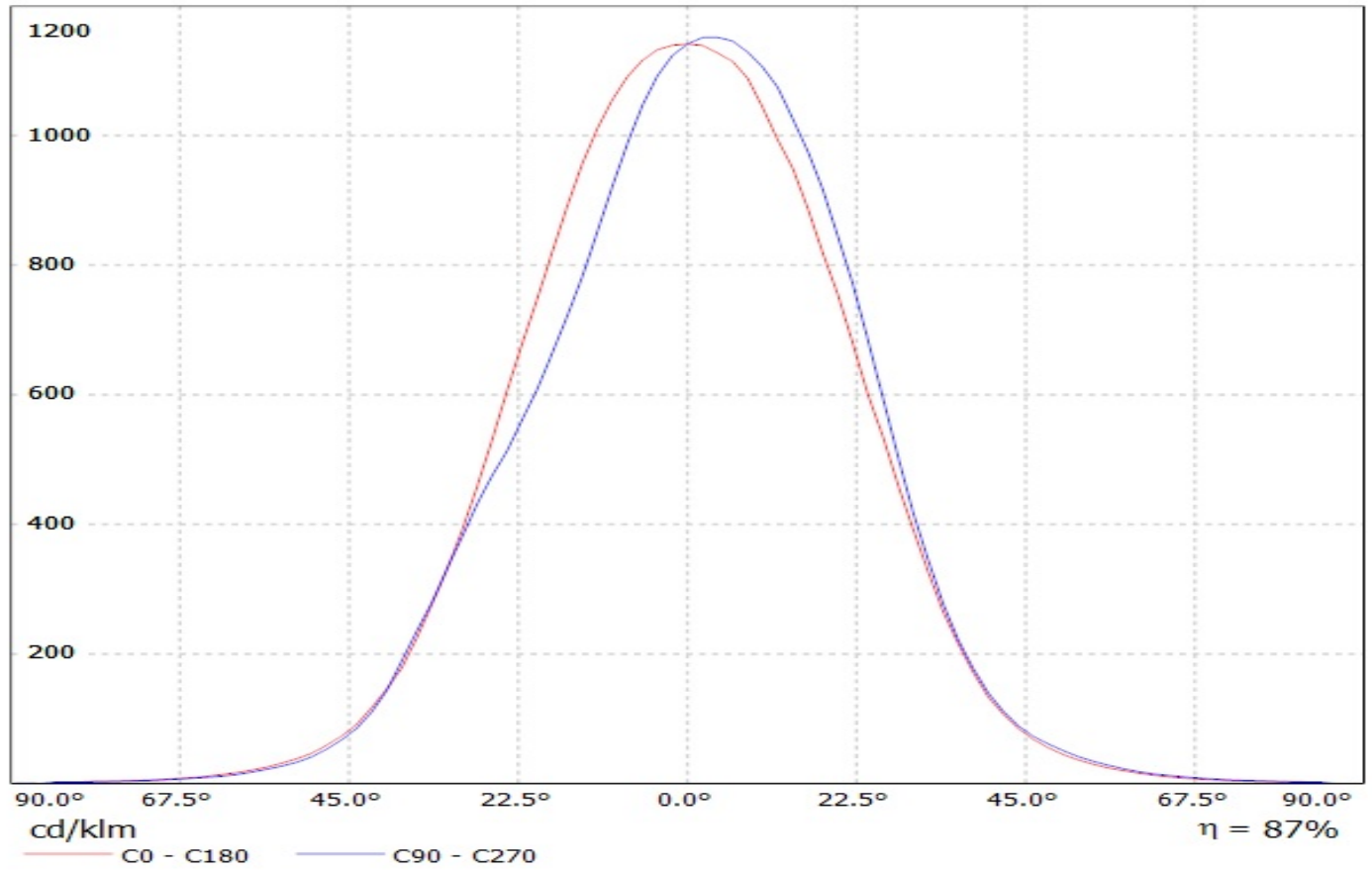
LEDiL Oy C12913_LARISA-WW_(SSL80) Eff.84.2% / LDC (Linear)

Luminaire: LEDiL Oy C12913_LARISA-WW_(SSL80) Eff.84.2%

Lamps: 1 x Osram SSL80 (81.3lm@250mA)



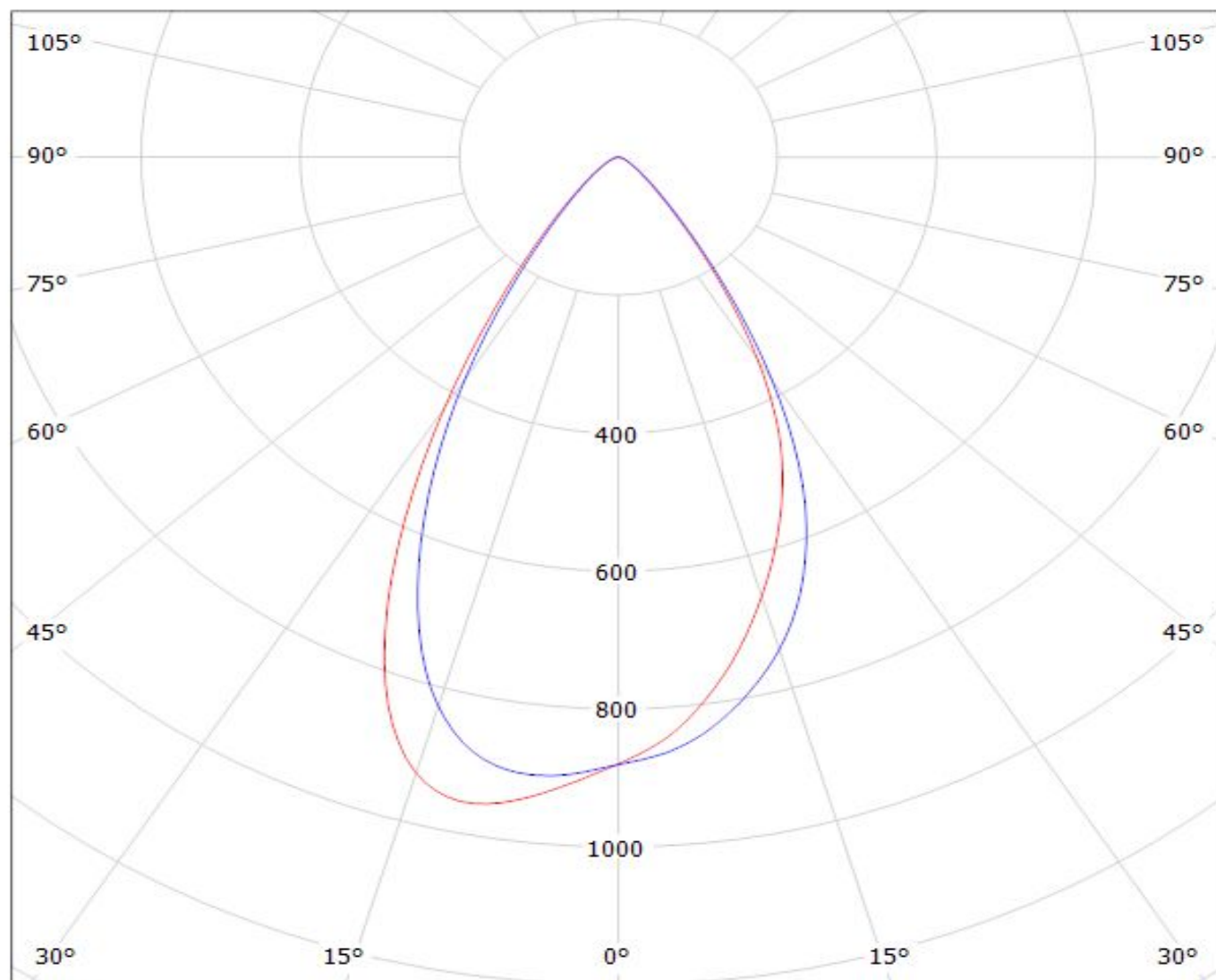
Luminaire: LEDil Oy CP12946_LARISA-WW-CLIP8_(DURIS_S5) Efficiency=86%
Lamps: 1 x Osram Duris S5 /GW PSLPS1.EC) 102lm @ 150mA CCT=6300K P=1.0W I=150mA



LEDiL Oy C12913_LARISA-WW_(XB-D) Eff.84.3% / LDC (Polar)

Luminaire: LEDiL Oy C12913_LARISA-WW_(XB-D) Eff.84.3%

Lamps: 1 x CREE XB-D (92.2lm@250mA)



cd/klm

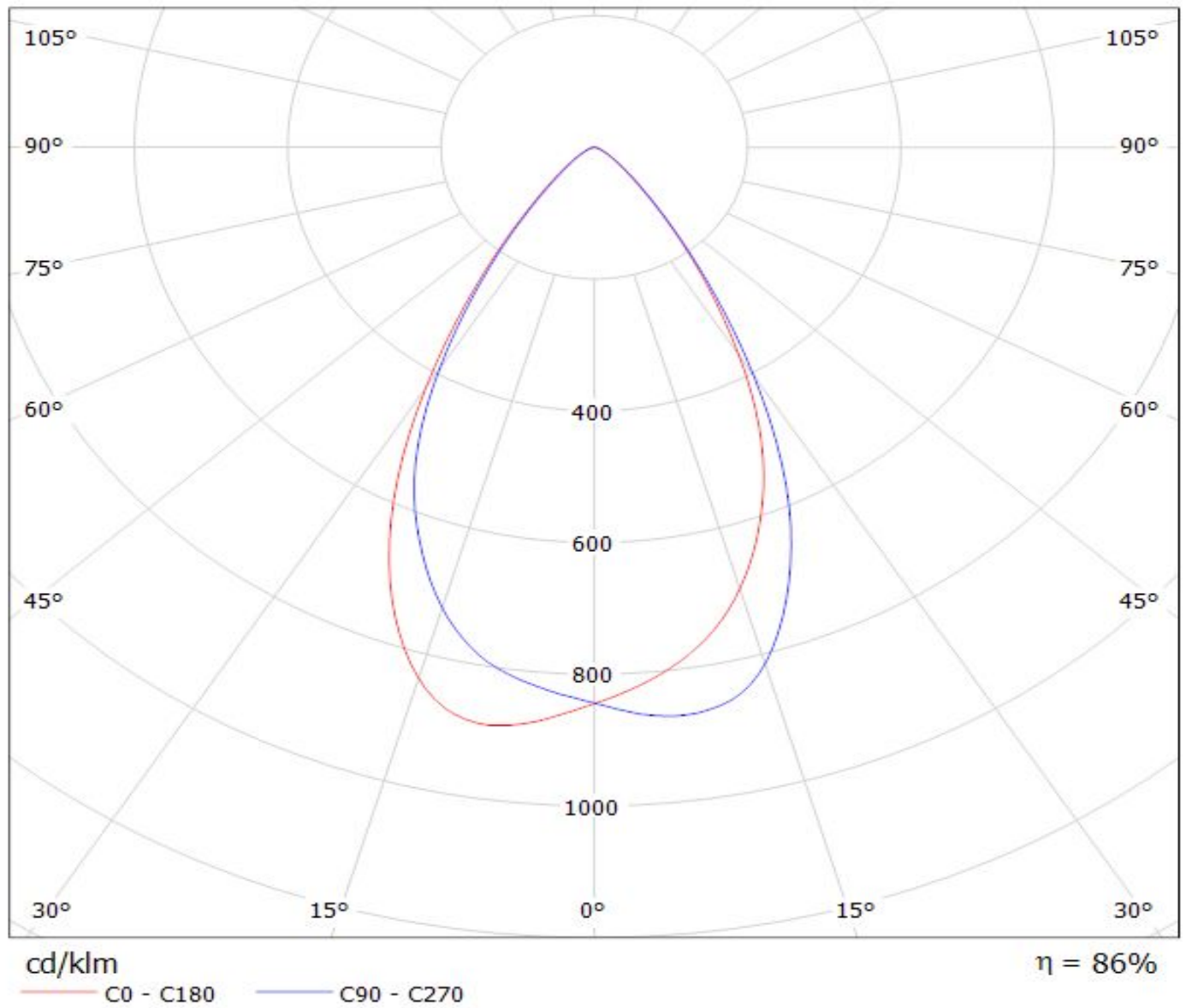
— C0 - C180

— C90 - C270

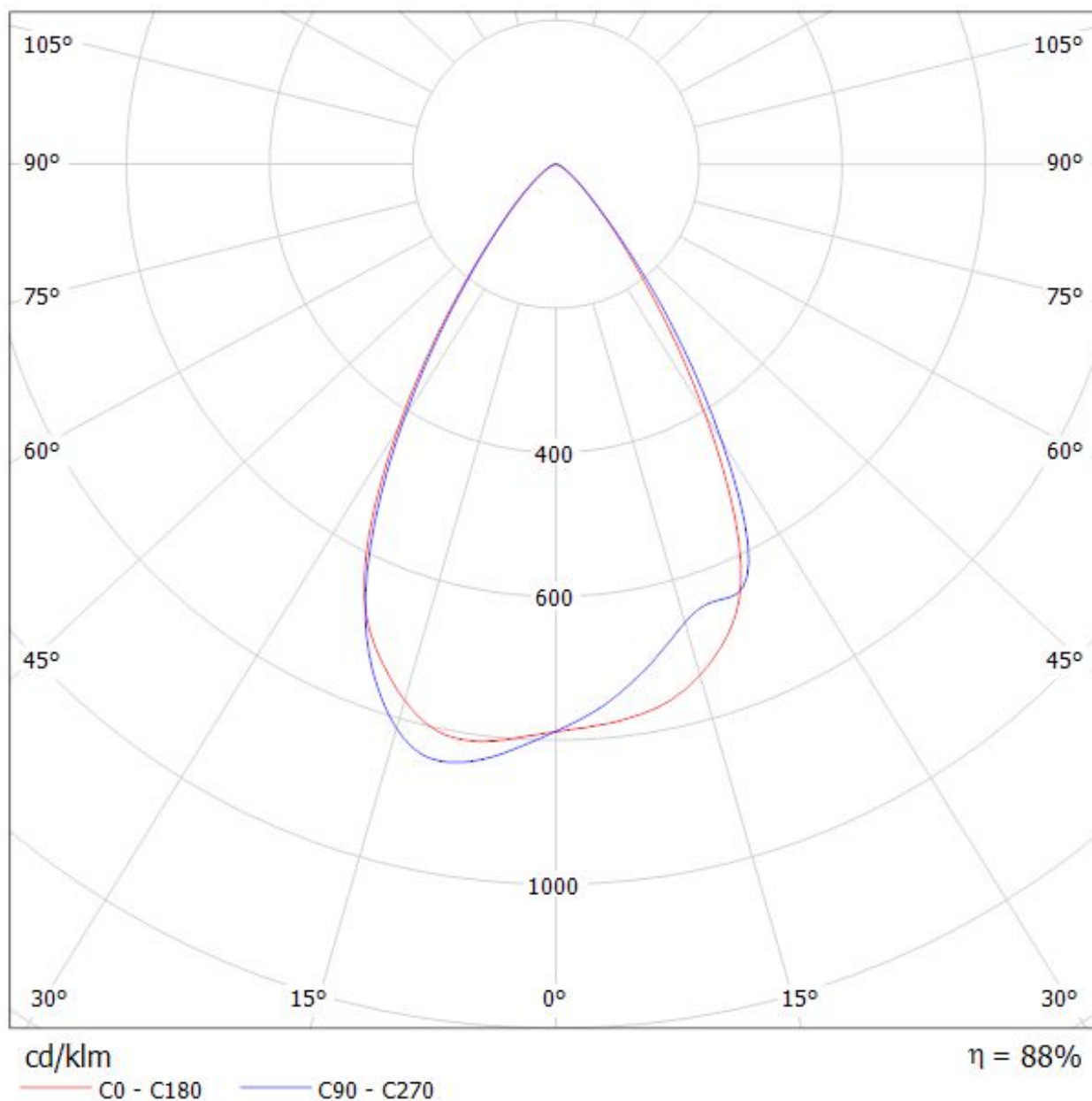
$\eta = 84\%$

LEDiL Oy C12913_LARISA-WW_(Rebel_ES) Eff.86.4% / LDC (Polar)

Luminaire: LEDiL Oy C12913_LARISA-WW_(Rebel_ES) Eff.86.4%
Lamps: 1 x Rebel ES (91.8116lm@250mA)

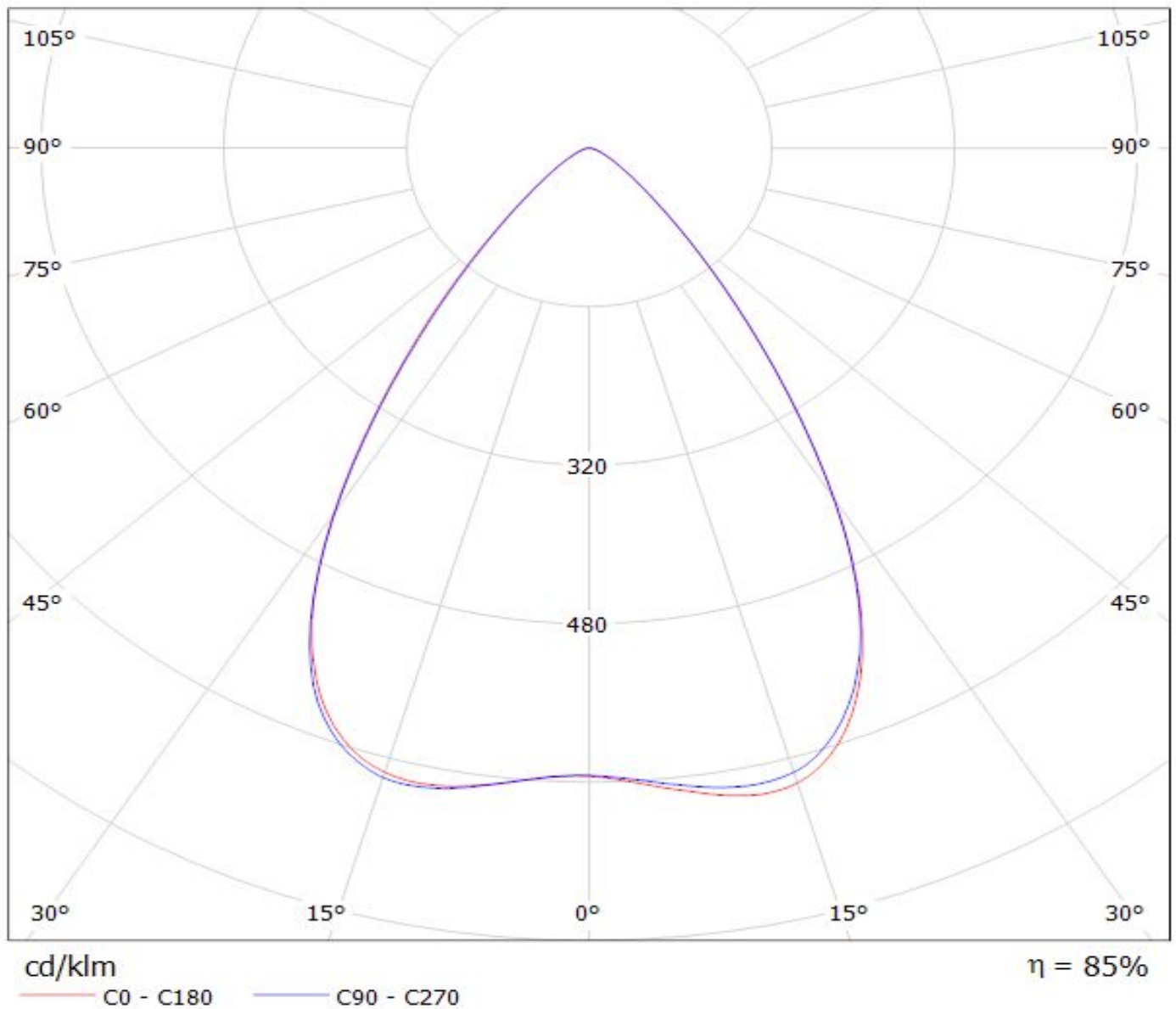


Luminaire: LEDiL Oy LARISA-WW_Rebel_(CLIP8&CLIP16) Eff.87.5%
Lamps: 1 x Rebel (80.8775lm@250mA)



LEDiL Oy C12913_LARISA-WW_(Luxeon_A) Eff.85.5% / LDC (Polar)

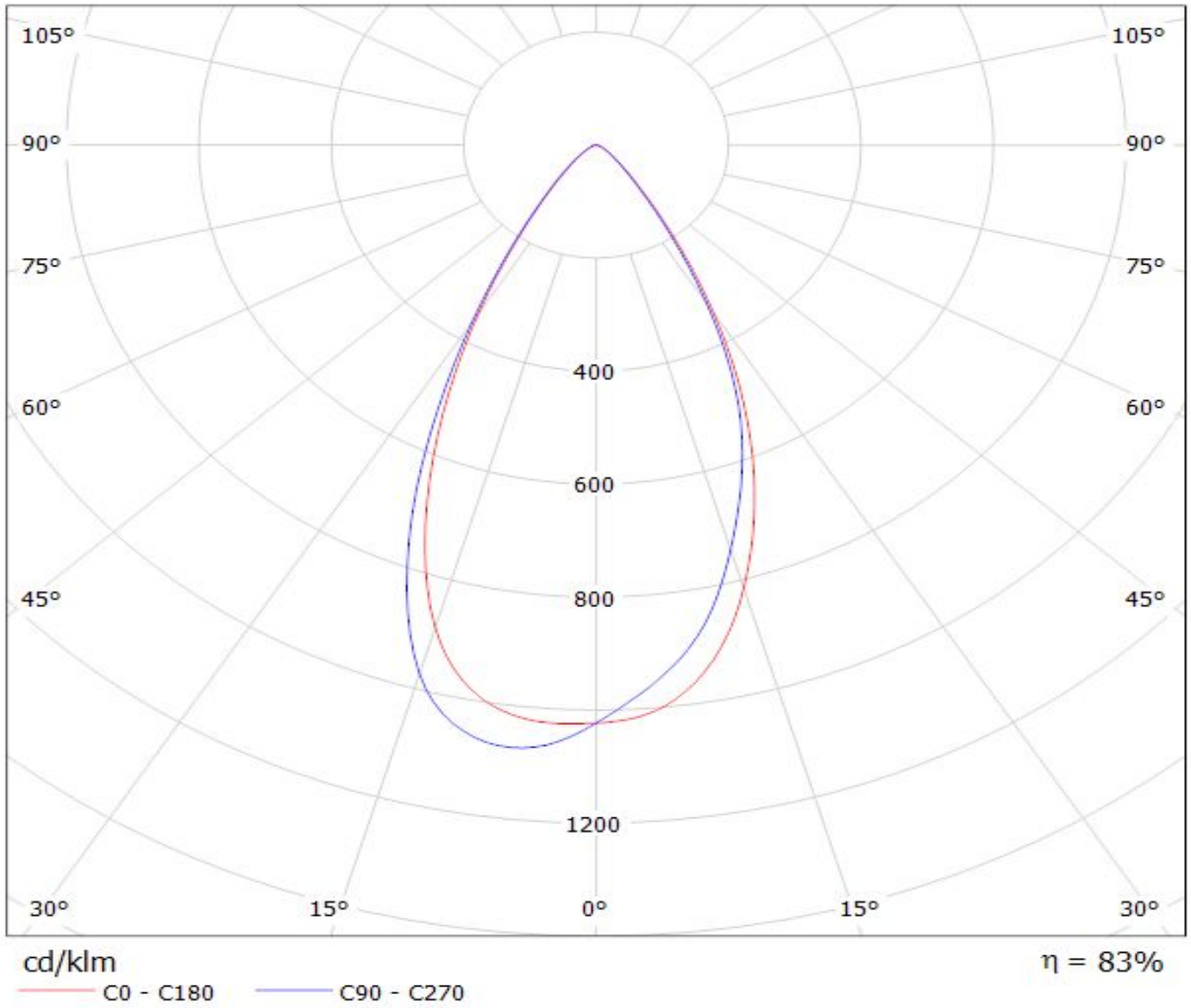
Luminaire: LEDiL Oy C12913_LARISA-WW_(Luxeon_A) Eff.85.5%
Lamps: 1 x Luxeon_A (66.4lm@250mA)



LEDiL Oy C12913_LARISA-WW_(NCS19) Eff.83.4% / LDC (Polar)

Luminaire: LEDiL Oy C12913_LARISA-WW_(NCS19) Eff.83.4%

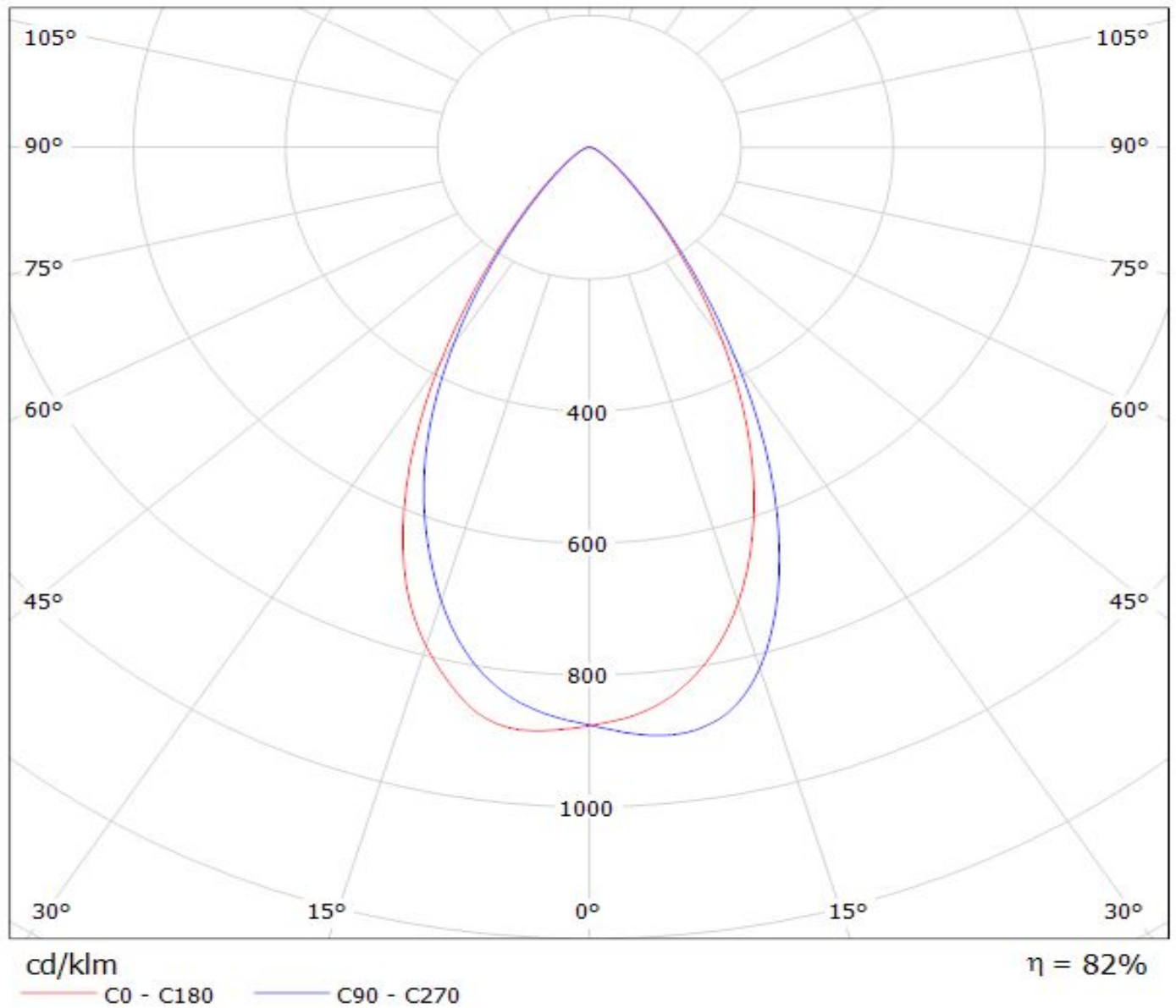
Lamps: 1 x Nichia NCS19 (88lm@250mA)



LEDiL Oy C12913_LARISA-WW_(NVS19) Eff.82.3% / LDC (Polar)

Luminaire: LEDiL Oy C12913_LARISA-WW_(NVS19) Eff.82.3%

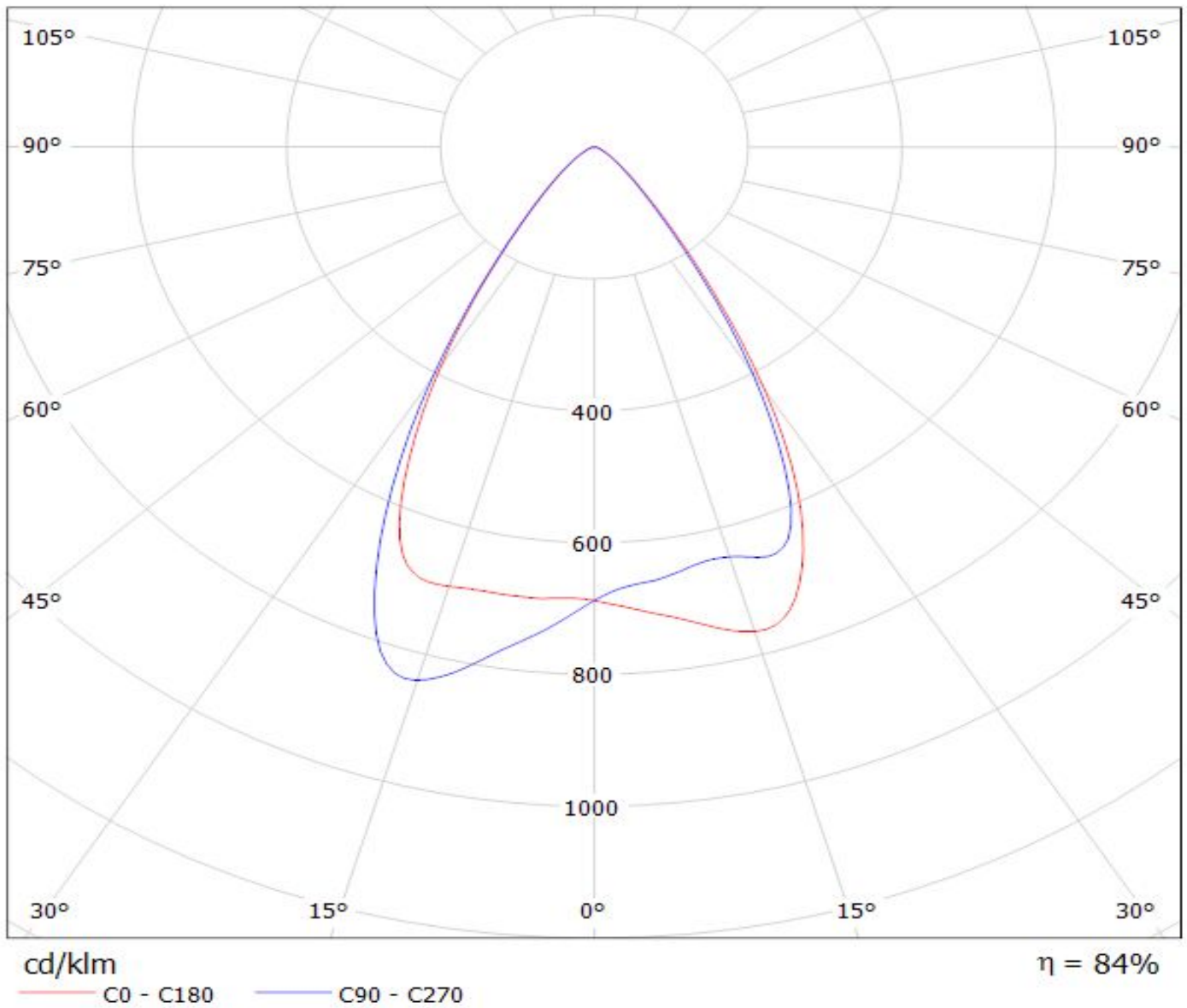
Lamps: 1 x Nichia NVS19 (97.5lm@250mA)



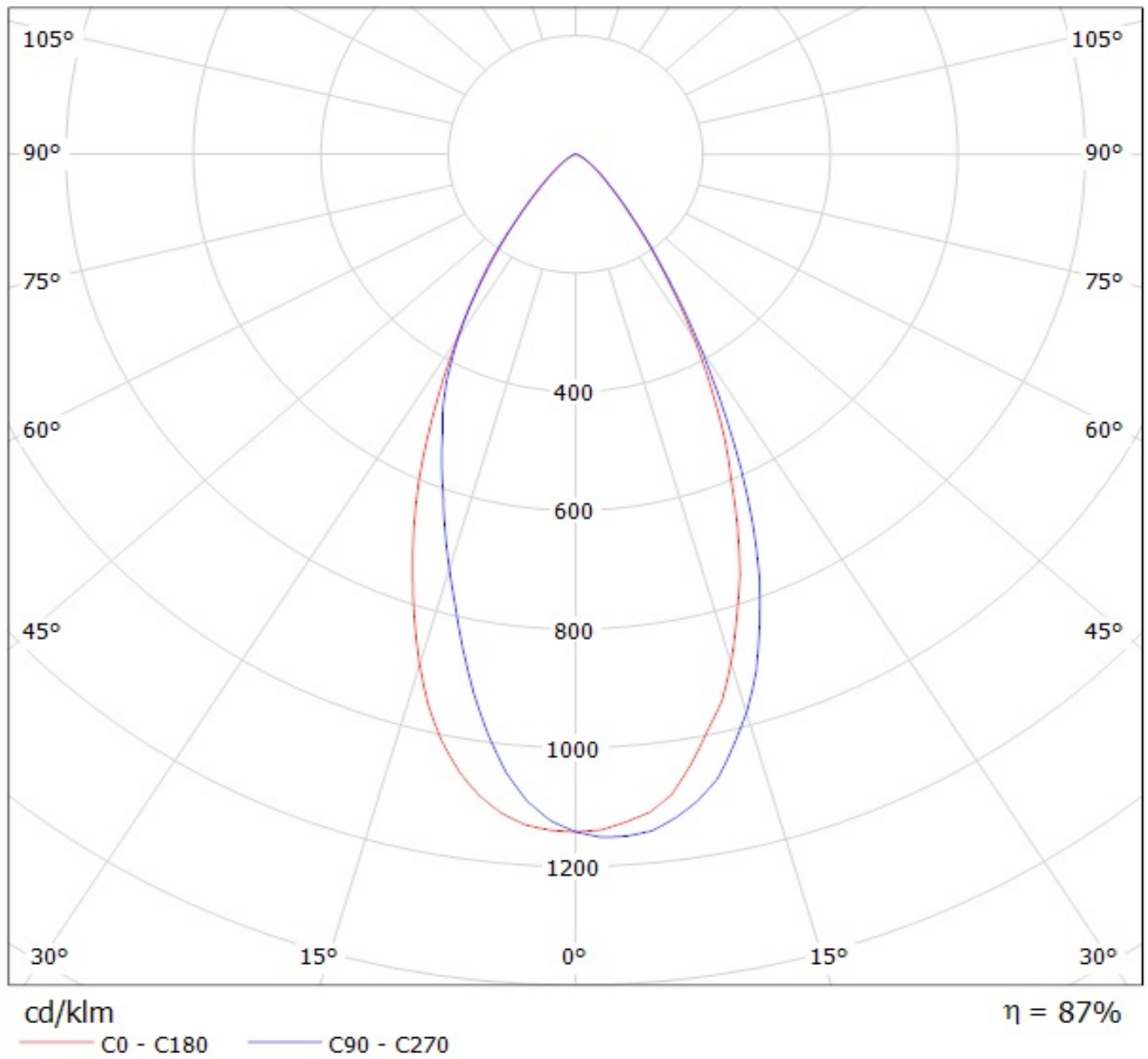
LEDiL Oy C12913_LARISA-WW_(SSL80) Eff.84.2% / LDC (Polar)

Luminaire: LEDiL Oy C12913_LARISA-WW_(SSL80) Eff.84.2%

Lamps: 1 x Osram SSL80 (81.3lm@250mA)



Luminaire: LEDil Oy CP12946_LARISA-WW-CLIP8_(DURIS_S5) Efficiency=86%
Lamps: 1 x Osram Duris S5 /GW PSLPS1.EC) 102lm @ 150mA CCT=6300K P=1.0W I=150mA



NOTE: The typical divergence will be changed by different color, chip size and chip position tolerance. The typical total divergence is the full angle measured where the luminous intensity is half of the peak value.