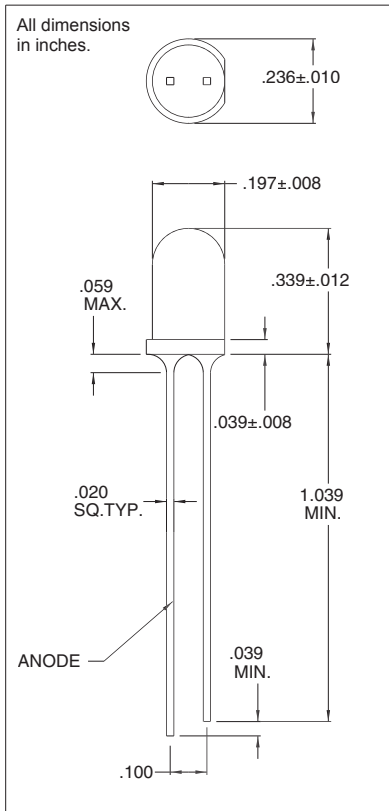


## 4304H6 Solid State LED Lamps-High Brightness T-1 3/4 (5mm)

### Description and Features



- T-1 3/4 LED
- Blue output at 470nm peak wavelength
- Gallium Nitride
- White diffused lens
- High brightness

## Electro-Optical Characteristics and Ratings

PART NUMBER	4304H6
Output Color	Blue
Diffusion	Diffused
Package Color	Clear
Rated Current (mA)	20
Forward Voltage Typ. (V)	5
Forward Voltage Max. (V)	6
Luminous Intensity Typ. (mcd)	160
Peak Wavelength (nm)	430
Viewing Angle 20 1/2 (degrees)	40
Power Dissipation (mW)	98
Continuous Forward Current Max. (mA)	20
Reverse Breakdown Voltage Min.(V)	5