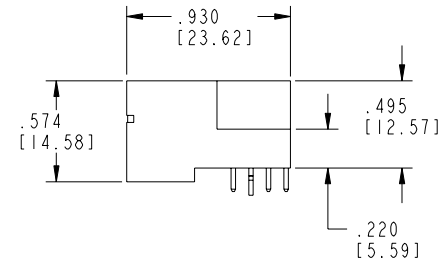
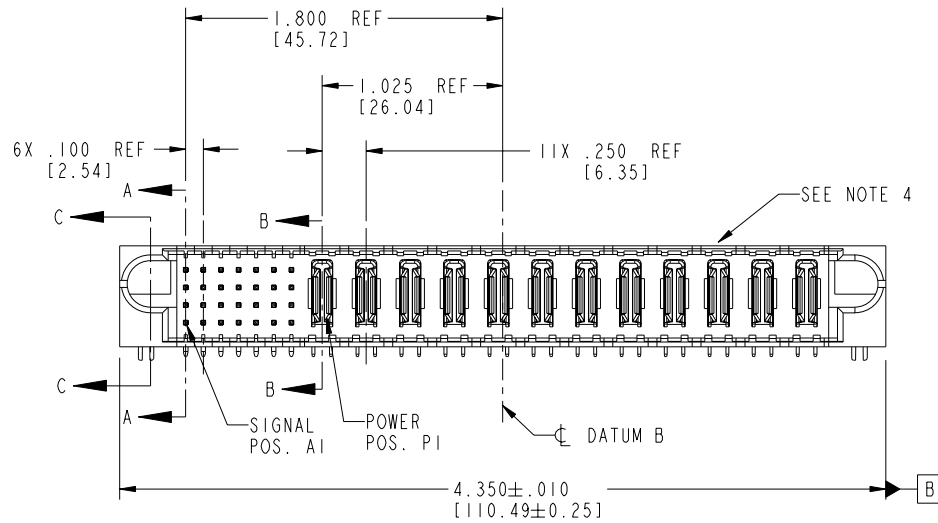
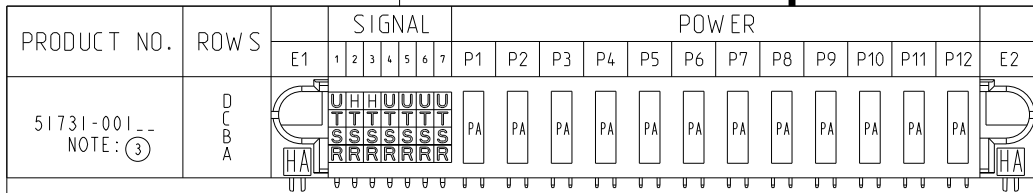


Tous droits strictement réservés. Reproduction ou communication a des tiers interdite sous quelque forme que ce soit sans autorisation écrite du propriétaire. Propriété de c FCI. Droits de reproduction FCI.

All rights strictly reserved. Reproduction or issue to third parties in any form whatever is not permitted without written authority from the proprietor. Property of FCI. Copyright FCI.



CODE	DIM "M" MATING LENGTH	CONTACT TYPE
H	.220 [5.59]	SIGNAL
R	.270 [6.86]	SIGNAL
S	.270 [6.86]	SIGNAL
T	.270 [6.86]	SIGNAL
U	.270 [6.86]	SIGNAL
PA	N/A [N/A]	POWER
HA	N/A [N/A]	HOLD-DOWN

mat'l code				SEE NOTE 2		tolerances unless otherwise specified		CUSTOMER	
ltr	ecn no.	dr	date	linear	.XX±.01/0.XX±0.3	projection	COPY		
A	V02550	JWS	11-10-00		.XXX±.005/0.XX±0.13		title 28S + 12P		
B	V20302	DA1	02-08-02		.XXX±.002/0.XX±0.051		RIGHT ANGLE SOLDER HEADER		
C	V20495	JWS	03-26-02	angles	0°±2°		product family PwrBlade code 213		
D	DG05-0455	CS	11/12/05	dr	J. SHAFFER 03-26-02	INCH/MM	size dwg no 51731-001 sheet 1 of 4		
				enrg	M. MOSTOLLER 03-26-02	scale 1:1			
				chr	M. MOSTOLLER 03-26-02				
				appd	M. MOSTOLLER 03-26-02				
sheet index	revision sheet	D 1	D 2	D 3	D 4				



product family PwrBlade code 213
size dwg no 51731-001 sheet 1 of 4

cage code 22526 4

Pro/E

PDM: Rev:D

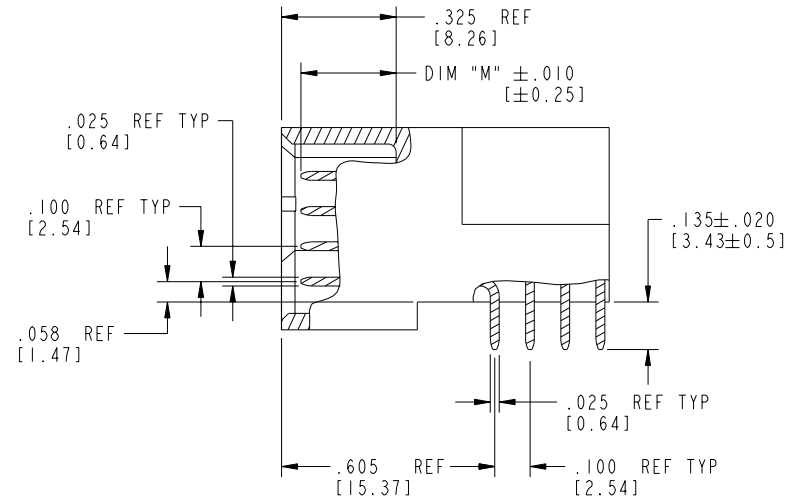
STATUS: Released

Printed: Dec 20, 2010

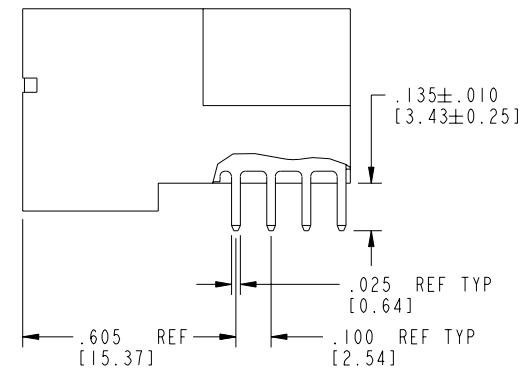
Tous droits strictement réservés. Reproduction ou communication a des tiers interdite sous quelque forme que ce soit sans autorisation écrite du propriétaire. Propriété de c FCI. Droits de reproduction FCI.

All rights strictly reserved. Reproduction or issue to third parties in any form whatever is not permitted without written authority from the proprietor. Property of FCI. Copyright FCI.

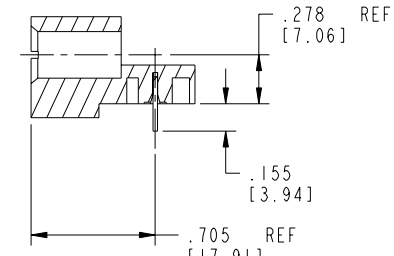
PRODUCT NUMBER
51731-001--
NOTE: (3)



BROKEN-OUT SECTION A-A
SCALE 2:1



BROKEN-OUT SECTION B-B
SCALE 2:1



SECTION C-C

mat'l code		SEE NOTE 2		tolerances unless otherwise specified		CUSTOMER		 www.fciconnect.com	
ltr	ecn no.	dr	date	linear	.XX±.01/0.X±0.3	COPY		projection	title
D					.XXX±.005/0.XX±0.13				28S + 12P
				angles	.XXX±.0020/0.XXX±0.051				RIGHT ANGLE SOLDER HEADER
					0°±2°				product family
				dr	J. SHAFFER 03-26-02	INCH/MM			PwrBlade
				enrg	M. MOSTOLLER 03-26-02	1:1		size	code
				chr	M. MOSTOLLER 03-26-02			A	213
				appd	M. MOSTOLLER 03-26-02			51731-001	sheet
sheet index	revision sheet								2 of 4

cage code 22526

Pro/E

PDM: Rev:D

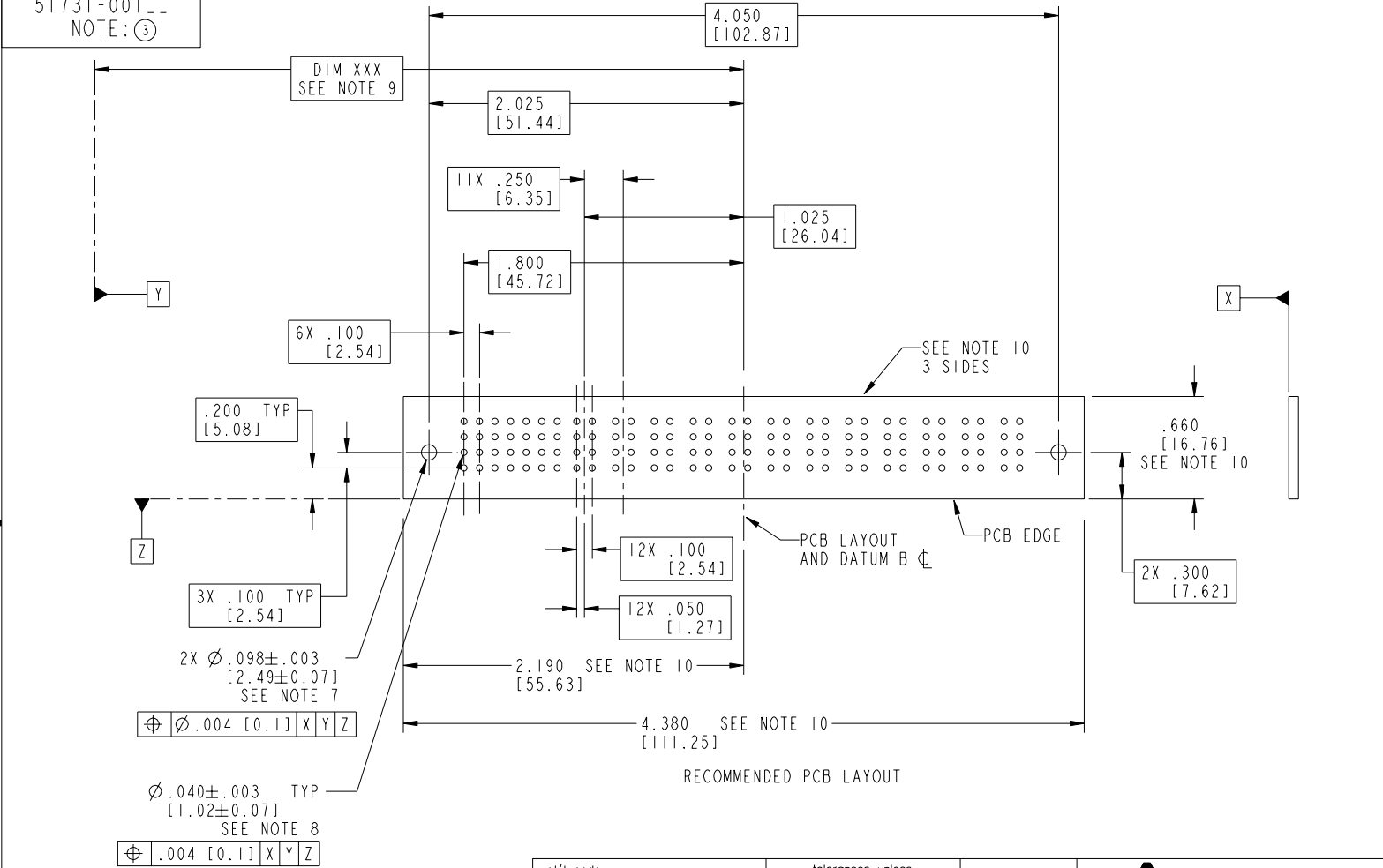
STATUS: Released

Printed: Dec 20, 2010

Tous droits strictement réservés. Reproduction ou communication à des tiers interdite sous quelque forme que ce soit sans autorisation écrite du propriétaire. Propriété de c FCI. Droits de reproduction FCI.

All rights strictly reserved. Reproduction or issue to third parties in any form whatever is not permitted without written authority from the proprietor. Property of FCI. Copyright FCI.

PRODUCT NUMBER
51731-001--
NOTE: ③



mat'l code		SEE NOTE 2		tolerances unless otherwise specified		CUSTOMER		 www.fciconnect.com	
ltr	ecn no.	dr	date	linear	.XX ± .01 / 0.XX ± 0.3	COPY		projection	title
D				angles	.XXX ± .005 / 0.XX ± 0.13	INCH/MM			28S + 12P RIGHT ANGLE SOLDER HEADER
				dr	.XXXX ± .0020 / 0.XXX ± 0.051	J. SHAFFER 03-26-02		product family	PwrBlade
				enrg	0° ± 2°	M. MOSTOLLER 03-26-02		size	code
				chr		M. MOSTOLLER 03-26-02		dwg no	213
				appd		M. MOSTOLLER 03-26-02		scale	sheet
						1:1		A	3 of 4
sheet index	revision sheet								

cage code 22526

Pro/E

PDM: Rev:D

STATUS: Released

Printed: Dec 20, 2010

Tous droits strictement réservés. Reproduction ou communication a des tiers interdite sous quelque forme que ce soit sans autorisation écrite du propriétaire. Propriété de c FCI. Droits de reproduction FCI.

A
FCI

All rights strictly reserved. Reproduction or issue to third parties in any form whatever is not permitted without written authority from the proprietor. Property of FCI. Copyright FCI.

PRODUCT NUMBER
51731-001__
NOTE: ③

NOTES:

1. DIMENSIONS AND TOLERANCES ARE IN ACCORDANCE WITH ASME Y14.5M, 1994 UNLESS OTHERWISE SPECIFIED.

CONNECTOR NOTES:

2. HOUSING MATERIAL: UL 94 V-0 GLASS FILLED HIGH-TEMP THERMOPLASTIC
POWER CONTACT MATERIAL: COPPER ALLOY
SIGNAL PIN MATERIAL: COPPER ALLOY

3. PLATING:

51731-001 Singal Pin: 30u"/0.76um Au OVER 50u"/1.27um Ni ON THE CONTACT AREA.
AND 100u"/2.54um SnPb PLATING OVER 50u"/1.27um Ni ON THE TERMINATION SECTION.
Power Pin: 30u"/0.76um Au OVER 50u"/1.27um Ni ON THE CONTACT AREA,
AND 100u"/2.54um SnPb PLATING OVER 50u"/1.27um Ni ON THE TERMINATION SECTION.

51731-001LF Singal Pin: 30u"/0.76um Au OVER 50u"/1.27um Ni ON THE CONTACT AREA.
AND 78u"/2.00um Sn PLATING OVER 50u"/1.27um Ni ON THE TERMINATION SECTION.
Power Pin: 30u"/0.76um Au OVER 50u"/1.27um Ni ON THE CONTACT AREA,
AND 78u"/2.00um Sn PLATING OVER 50u"/1.27um Ni ON THE TERMINATION SECTION.

PART NUMBER model_name: ILF MEETS EUROPEAN UNION DIRECTIVE AND OTHER COUNTRY REGULATIONS AS DESCRIBED IN GS-22-008.

THE HOUSING WILL WITHSTAND EXPOSURE TO 260° PEAK TEMPERATURE FOR 10 SECONDS IN A WAVE SOLDER APPLICATION WITH A CIRCUIT BOARD.

4. MANUFACTURER'S NAME, P/N, AND DATE CODE TO APPEAR ON THIS SURFACE.

5. PRODUCT SPECIFICATION GS-12-149.
APPLICATION SPECIFICATION BUS-20-067.

PCB NOTES:

- 6. ALL HOLE DIAMETERS ARE FINISHED HOLE SIZE.
- 7. MOUNTING HOLES, WHERE APPLICABLE, ARE UNPLATED.
- 8. $\varnothing .0453 \pm 0.0010$ [1.151 \pm 0.025] DRILLED HOLES PLATED WITH 0.0003 [0.008] MIN SnPb OVER .001 [0.03] TO .003 [0.08] Cu PLATING TO ACHIEVE $\varnothing .040 \pm .003$ [1.02 \pm .07] HOLE.
- 9. "DIM XXX" TO BE DETERMINED BY THE CUSTOMER.
- 10. CONNECTOR KEEP-OUT ZONE.

mat'l code				SEE NOTE 2		tolerances unless otherwise specified		CUSTOMER		A FCI www.fciconnect.com	
ltr	ecn no.	dr	date	linear	.XX±.01/0.X±0.3	COPY		projection	title 28S + 12P RIGHT ANGLE SOLDER HEADER		
D				angles	.XXX±.005/0.XX±0.13	INCH/MM			product family	PwrBlade	code
				dr	.XXX±.0020/0.XXX±0.051	scale 1:1			size	dwg no	213
				enrg	0° ± 2°			A	51731-001	4 of 4	
				chr	J. SHAFFER 03-26-02						
				appd	M. MOSTOLLER 03-26-02						
					M. MOSTOLLER 03-26-02						
sheet index	revision sheet										

cage code 22526 4

PDM: Rev:D

STATUS: Released

Printed: Dec 20, 2010