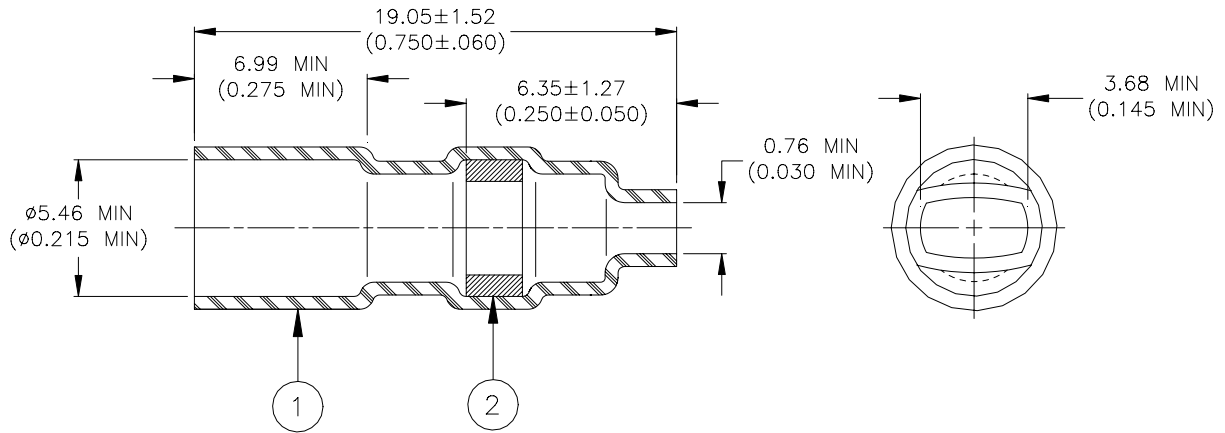


SPECIFICATION CONTROL DRAWING



MATERIALS

1. INSULATION SLEEVE: Heat shrinkable, transparent blue, radiation cross-linked polyvinylidene fluoride.
2. SOLDER PREFORM WITH FLUX:
 - SOLDER: TYPE Sn63 per ANSI J-STD-006.
 - FLUX: TYPE ROL1 per ANSI J-STD-004.

APPLICATION

1. This part is designed to attach a resistor and a PVC insulated wire to the tab of a ring terminal.
2. Part may be installed with infrared or convection heaters.
3. Temperature range: -65°C to 125°C.

| | | | | | | | |
|---|---|--|---|-------------------------------|-------------------------|-----------------------|-------------------|
| tyco <i>Electronics</i> | Raychem | Tyco Electronics Corporation 300 Constitutional Drive Menlo Park, CA 94025 USA | TITLE : SOLDERSLEEVE, WIRE TERMINATOR | | | | |
| Unless otherwise specified dimensions are in millimeters. Inches dimensions are in between brackets. | | | DOCUMENT NO.: D-129-0043 | | | | |
| TOLERANCES: 0.00 N/A 0.0 N/A 0 N/A | ANGLES: N/A ROUGHNESS IN MICRON | Tyco Electronics reserves the right to amend this drawing at any time. Users should evaluate the suitability of the product for their application. | DATE: 08-Feb.-01 | | DOC ISSUE: 1 | | |
| DRAWN BY: M. FORONDA | CAGE CODE: 06090 | | REPLACES: N/A | DCR NUMBER: D010037 | PROD. REV.: B | SCALE: None | SIZE: A |

If this document is printed it becomes uncontrolled. Check for the latest revision.