

DETAILS

Product Number	C12285_ANGIE-S
Family	Angie
Type	Lens array
Color	clear
Diameter	34 mm
Height	10,7 mm
Style	round
Optic Material	PMMA
Holder Material	
Fastening	pin, glue
Status	production ready
ROHS Compliant	Yes
Date Updated	10/12/2014



OPTICAL PROPERTIES

LED	Viewing	Light	Effi-		Connector
	Angle	Beam	ciency	cd/lm	
XP-G	15 deg	Spot	93 %	8.020	-
XP-E	11 deg	Spot	91 %	14.700	-
XP-L	sim: 21	Spot	sim: 91 %	sim: 4.600	-
LUXEON T	15 deg	Spot	93 %	7.600	-
LUXEON H50-2	sim: 16	Spot	sim: 93 %	sim: 8.000	-
LUXEON TX	15 deg	Spot	92 %	8.100	-
NVSxx19B/NVSxx19C	sim: 18	Spot	sim: 93 %	sim: 6.660	-
Oslon Square EC	14 deg	Spot	94 %	8.300	-
Oslon SSL 80	12 deg	Spot	93 %	11.000	-
Oslon SSL 150	10 deg	Spot	94 %	17.000	-
Z5	sim: 10	Spot	sim: 92 %	sim: 19.000	-
Z5M1/Z5M2	sim: 15	Spot	sim: 93 %	sim: 9.250	-

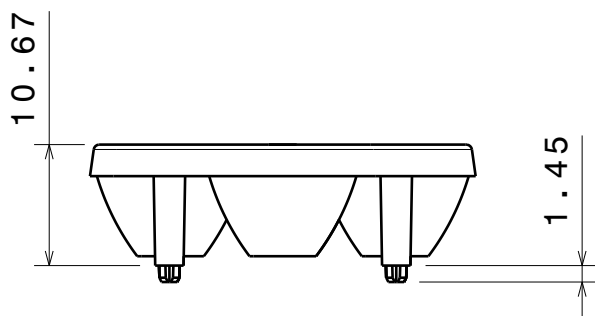
D

C

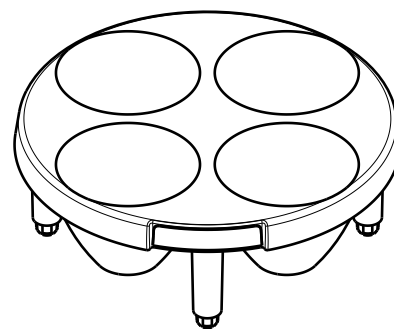
B

A

4



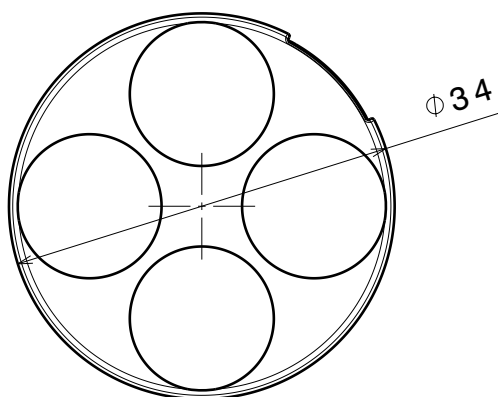
Front view



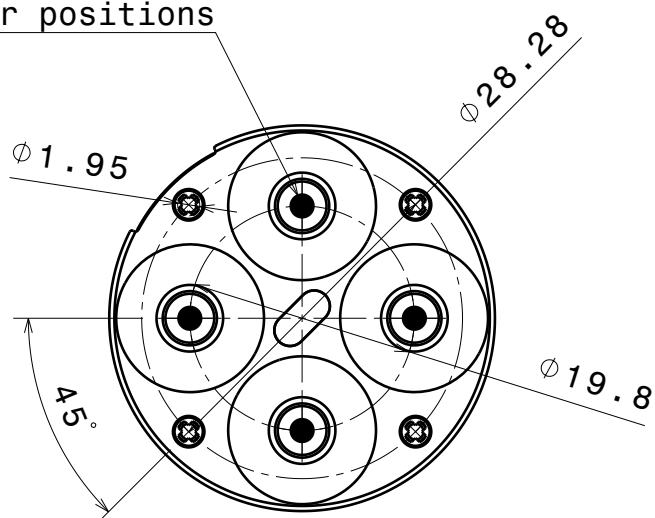
Isometric view

3

LED center positions



Top view



Bottom view

2

2

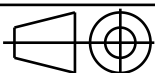
INDEX	PART NO	DESCRIPTION	MATERIAL	COLOUR
1	C12285	ANGIE-S	PMMA	
1	C12286	ANGIE-M	PMMA	
1	C12288	ANGIE-W	PMMA	

Tolerances if not otherwise shown
According to DIN ISO 2768-1
Linear measures:
up to 30mm class M, otherwise class C
According to DIN ISO 2768-2
Form and position: class L

LEDiL

Ledil Oy
Salorankatu 10
FIN 24240 SALO
Finland

THIRD ANGLE PROJECTION:



DRAWING TITLE

ANGIE family datasheet

This drawing is the property
of LEDiL Oy. It may not be
reproduced, copied or
communicated without a written
agreement with LEDiL Oy.

SIZE PART NUMBER

A4

C12285/C12286/C12288

SCALE 3:2 WEIGHT

-

SHEET 1/1

D

A

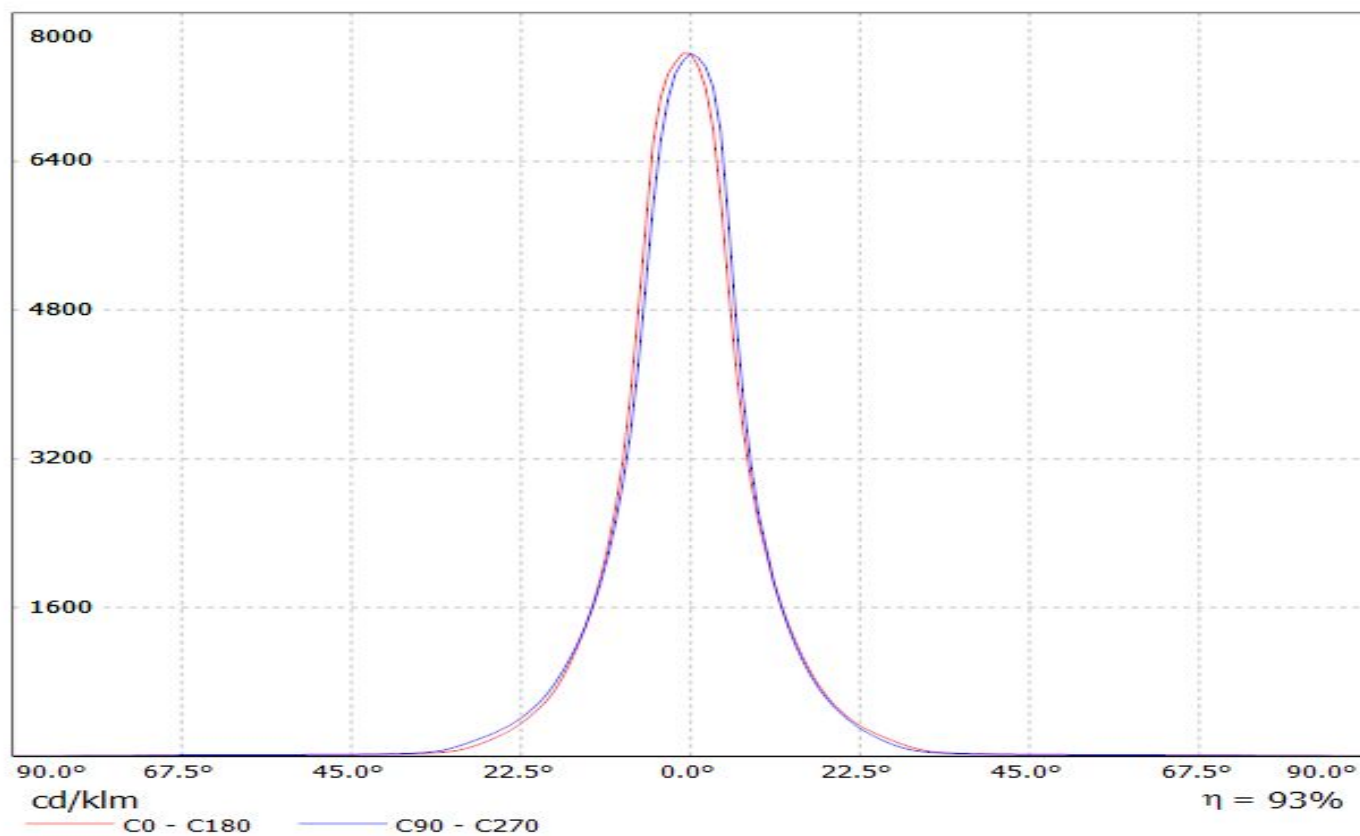
1

1

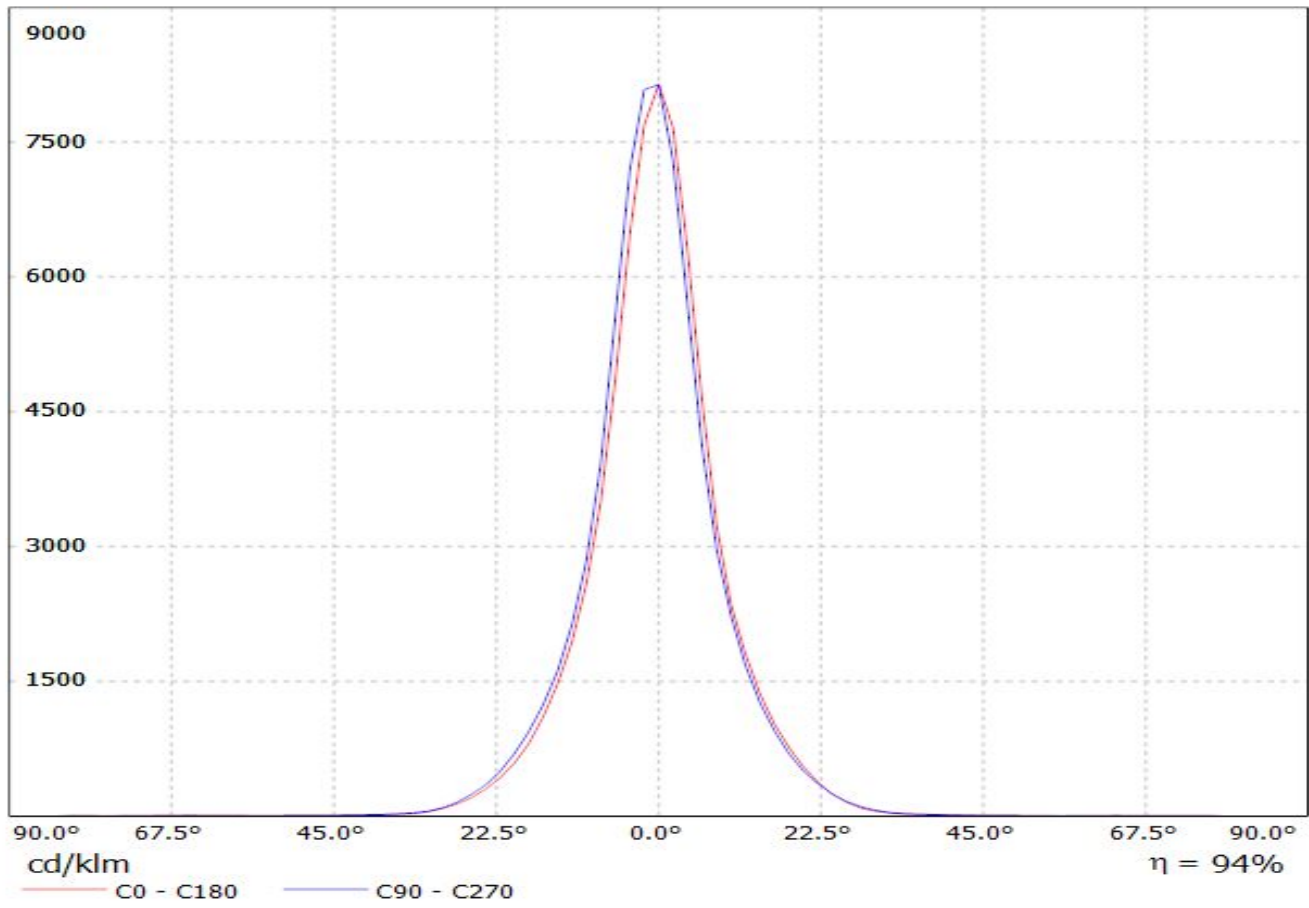
LEDiL Oy C12285_ANGIE-S_(LUXEON_T)_3 Eff.93.2% / LDC (Linear)

Luminaire: LEDiL Oy C12285_ANGIE-S_(LUXEON_T)_3 Eff.93.2%

Lamps: 1 x LUXEON_T (292lm@250mA)



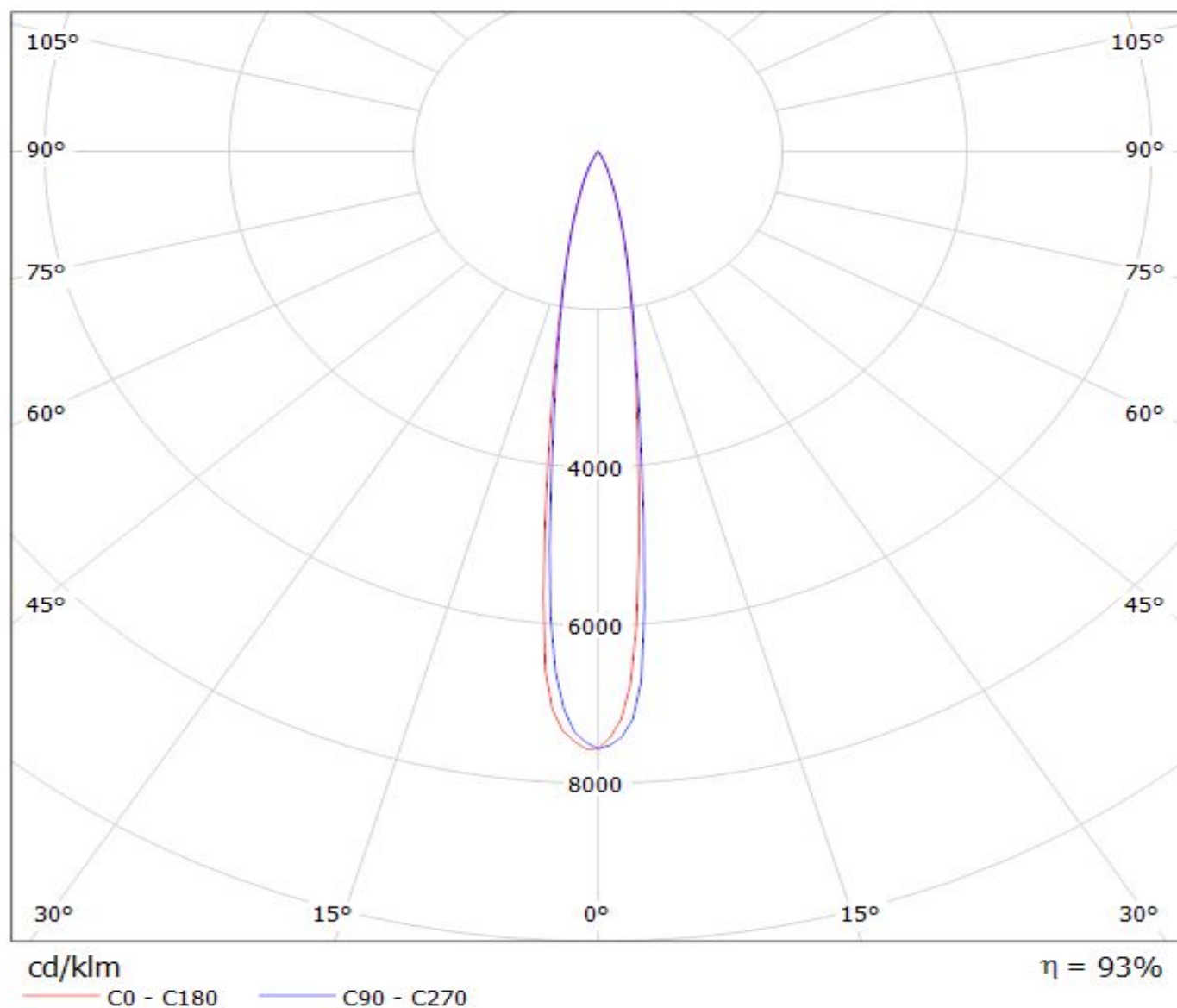
Luminaire: Ledil Oy C12285_ANGIE-S_(Luxeon_TX)
Lamps: 1 x Luxeon TX 318lm @ 250mA CCT= P=2.78W I=250mA



LEDiL Oy C12285_ANGIE-S_(LUXEON_T)_3 Eff.93.2% / LDC (Polar)

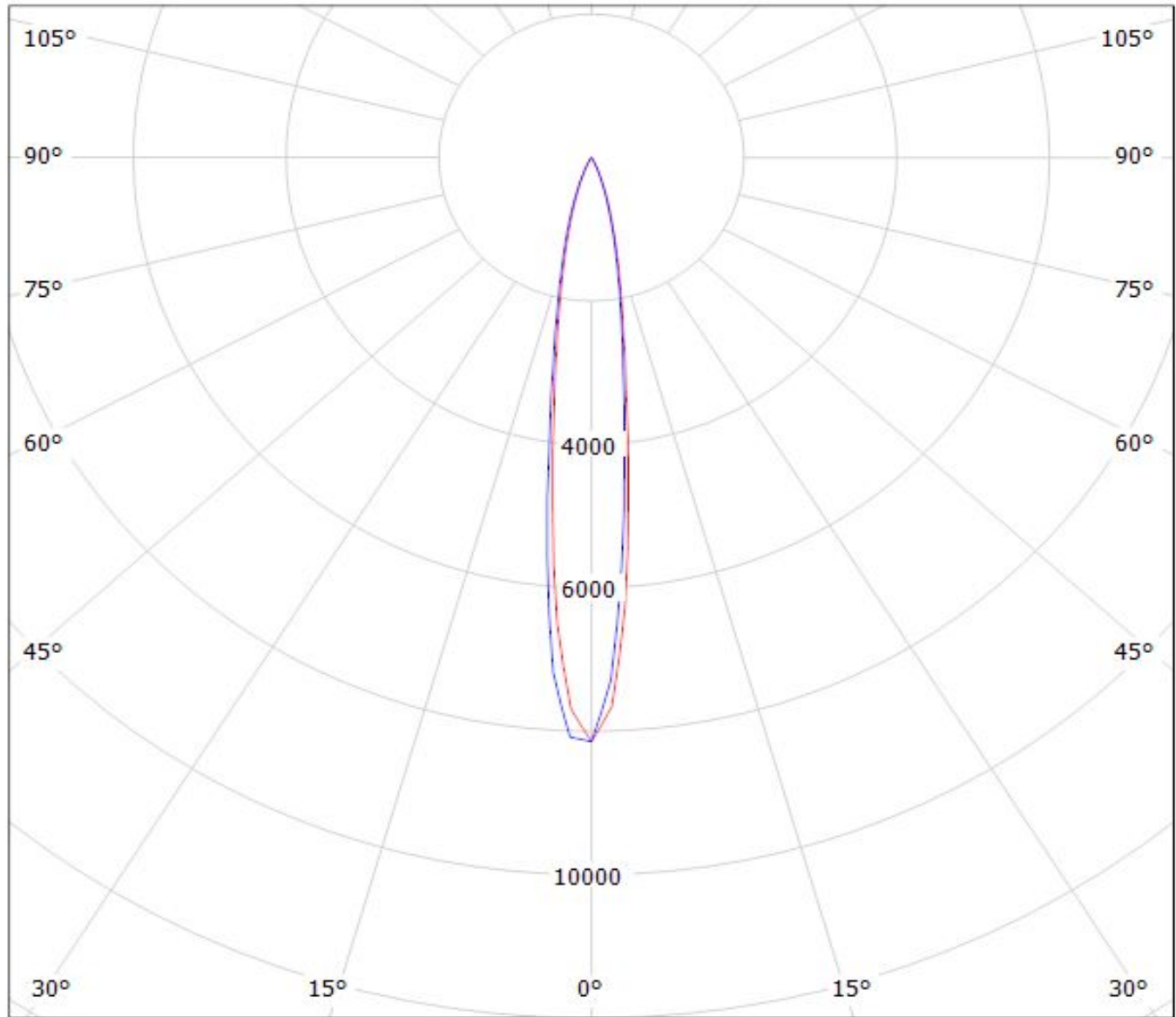
Luminaire: LEDiL Oy C12285_ANGIE-S_(LUXEON_T)_3 Eff.93.2%

Lamps: 1 x LUXEON_T (292lm@250mA)



Luminaire: Ledil Oy C12285_ANGIE-S_(Luxeon_TX)

Lamps: 1 x Luxeon TX 318lm @ 250mA CCT= P=2.78W I=250mA



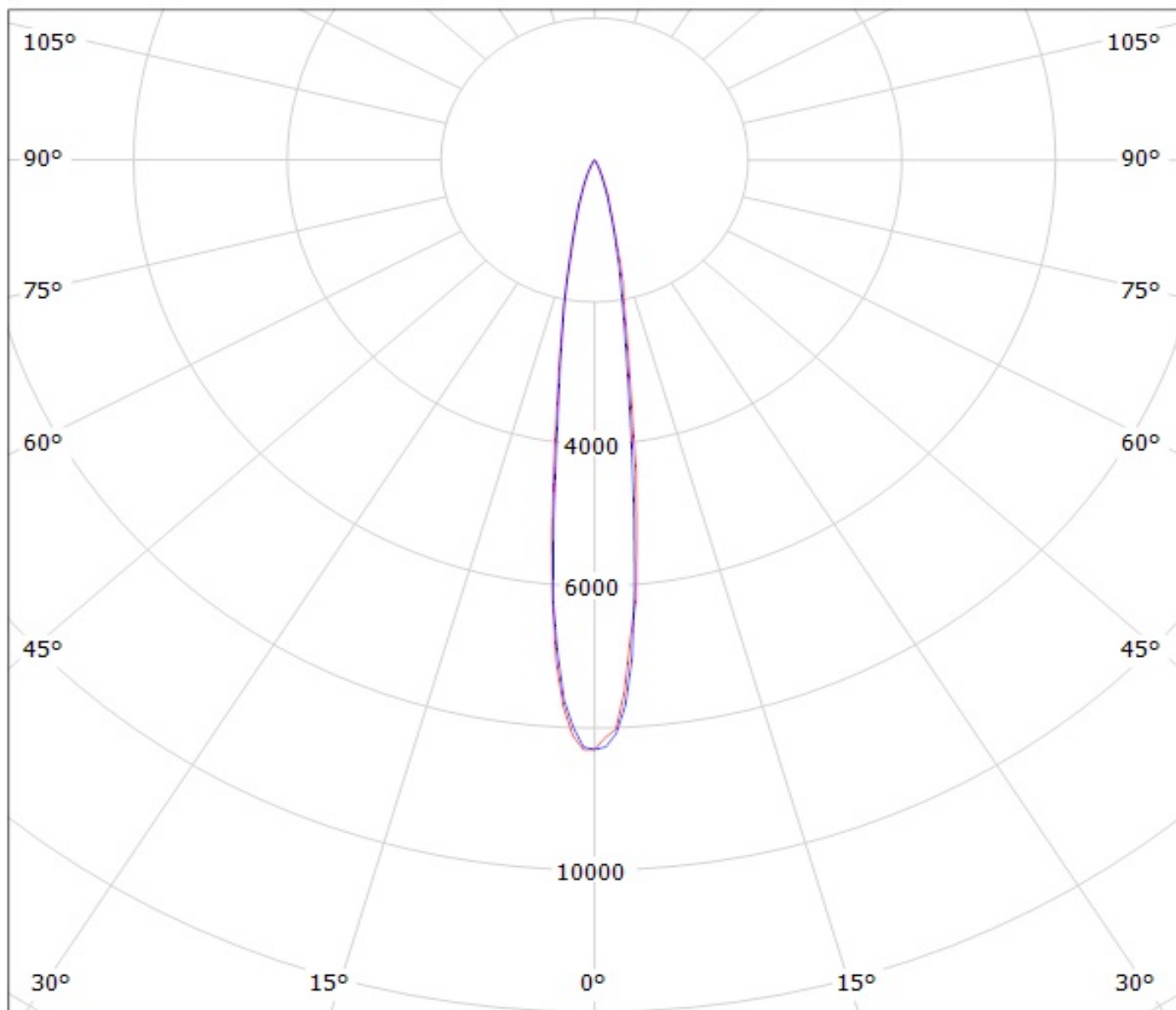
cd/klm

— C0 - C180

— C90 - C270

$\eta = 94\%$

Luminaire: Ledil Oy C12285_ANGIE-S-EC Efficiency=94%
Lamps: 1 x Oslon Square EC 250mA 312lm



cd/klm

— C0 - C180

— C90 - C270

NOTE: The typical divergence will be changed by different color, chip size and chip position tolerance. The typical total divergence is the full angle measured where the luminous intensity is half of the peak value.