

CMSH1-20 CMSH1-60
 CMSH1-40 CMSH1-100

**SURFACE MOUNT SILICON
 SCHOTTKY RECTIFIERS
 1.0 AMP, 20 THRU 100 VOLT**



SMB CASE



www.centrasemi.com

DESCRIPTION:

The CENTRAL SEMICONDUCTOR CMSH1-20 series 1.0 Amp surface mount silicon rectifier is a high quality, well constructed, highly reliable component designed for use in all types of commercial, industrial, entertainment, computer, and automotive applications.

MARKING CODE: SEE MARKING CODE TABLE ON FOLLOWING PAGE

FEATURES:

- High reliability
- Special selections available

MAXIMUM RATINGS: ($T_A=25^\circ\text{C}$ unless otherwise noted)

| | SYMBOL | CMSH1 -20 | CMSH1 -40 | CMSH1 -60 | CMSH1 -100 | UNITS |
|--|----------------|--------------|--------------|--------------|---------------|--------------------|
| Peak Repetitive Reverse Voltage | V_{RRM} | 20 | 40 | 60 | 100 | V |
| DC Blocking Voltage | V_R | 20 | 40 | 60 | 100 | V |
| RMS Reverse Voltage | $V_{R(RMS)}$ | 14 | 28 | 42 | 70 | V |
| Average Forward Current ($T_A=75^\circ\text{C}$) | I_O | | | 1.0 | | A |
| Peak Forward Surge Current, $t_p=8.3\text{ms}$ | I_{FSM} | | | 30 | | A |
| Operating and Storage Junction Temperature | T_J, T_{stg} | | | -65 to +150 | | $^\circ\text{C}$ |
| Thermal Resistance | θ_{JL} | | | 20 | | $^\circ\text{C/W}$ |

ELECTRICAL CHARACTERISTICS: ($T_A=25^\circ\text{C}$ unless otherwise noted)

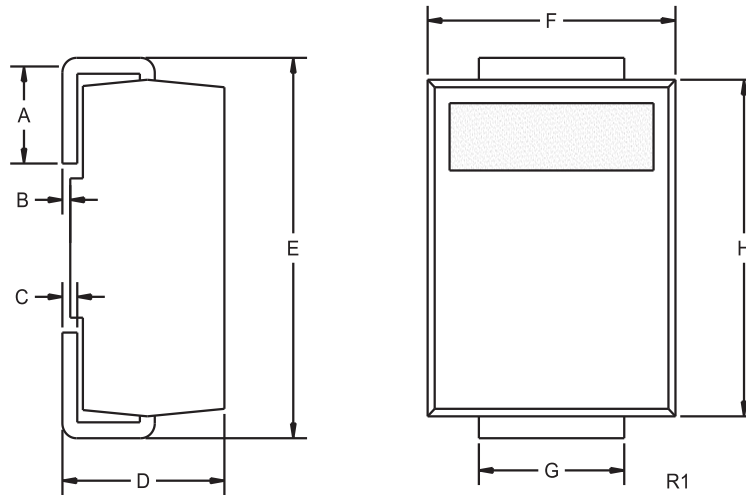
| SYMBOL | TEST CONDITIONS | TYP | MAX | UNITS |
|--------|--|------|------|-------|
| I_R | $V_R=\text{Rated } V_{RRM}$ | | 0.50 | mA |
| I_R | $V_R=\text{Rated } V_{RRM}, T_A=125^\circ\text{C}$ | | 20 | mA |
| V_F | $I_F=1.0\text{A (CMSH1-20)}$ | 0.46 | 0.55 | V |
| V_F | $I_F=1.0\text{A (CMSH1-40)}$ | 0.48 | 0.55 | V |
| V_F | $I_F=1.0\text{A (CMSH1-60)}$ | 0.48 | 0.70 | V |
| V_F | $I_F=1.0\text{A (CMSH1-100)}$ | 0.75 | 0.85 | V |
| C_J | $V_R=4.0\text{V}, f=1.0\text{MHz, (CMSH1-20)}$ | 68 | | pF |
| C_J | $V_R=4.0\text{V}, f=1.0\text{MHz, (CMSH1-40)}$ | 56 | | pF |
| C_J | $V_R=4.0\text{V}, f=1.0\text{MHz, (CMSH1-60)}$ | 42 | | pF |
| C_J | $V_R=4.0\text{V}, f=1.0\text{MHz, (CMSH1-100)}$ | 45 | | pF |

CMSH1-20 CMSH1-60
 CMSH1-40 CMSH1-100

**SURFACE MOUNT SILICON
 SCHOTTKY RECTIFIERS
 1.0 AMP, 20 THRU 100 VOLT**



SMB CASE - MECHANICAL OUTLINE



| DEVICE | MARKING CODE |
|-----------|--------------|
| CMSH1-20 | CS20 |
| CMSH1-40 | CS40 |
| CMSH1-60 | CS60 |
| CMSH1-100 | CS100 |

| SYMBOL | DIMENSIONS | | | |
|--------|------------|-------|-------------|------|
| | INCHES | | MILLIMETERS | |
| | MIN | MAX | MIN | MAX |
| A | 0.030 | 0.060 | 0.76 | 1.52 |
| B | 0.004 | 0.008 | 0.10 | 0.20 |
| C | 0.006 | 0.012 | 0.15 | 0.30 |
| D | 0.086 | 0.096 | 2.18 | 2.44 |
| E | 0.200 | 0.220 | 5.08 | 5.59 |
| F | 0.130 | 0.150 | 3.30 | 3.81 |
| G | 0.077 | 0.083 | 1.96 | 2.11 |
| H | 0.160 | 0.180 | 4.06 | 4.57 |

SMB (REV: R1)

R4 (7-December 2015)

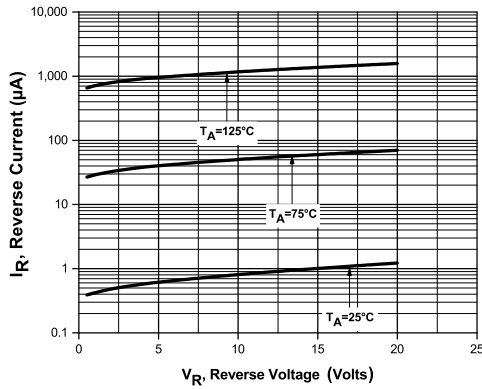
CMSH1-20 CMSH1-60
 CMSH1-40 CMSH1-100

**SURFACE MOUNT SILICON
 SCHOTTKY RECTIFIERS
 1.0 AMP, 20 THRU 100 VOLT**

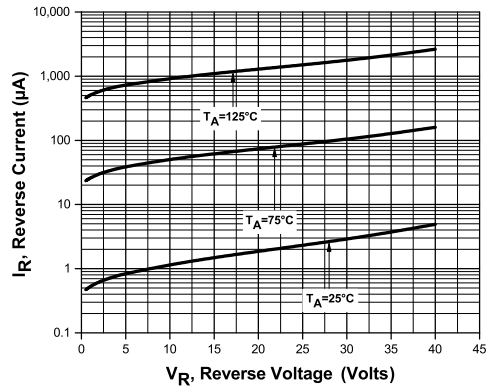


TYPICAL ELECTRICAL CHARACTERISTICS

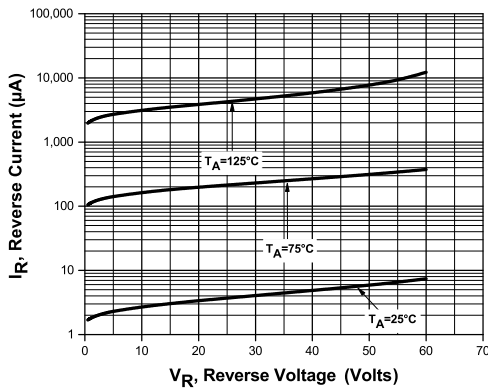
Leakage Current for CMSH1-20



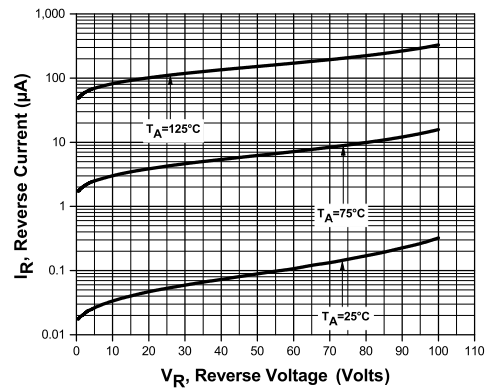
Leakage Current for CMSH1-40



Leakage Current for CMSH1-60



Leakage Current for CMSH1-100



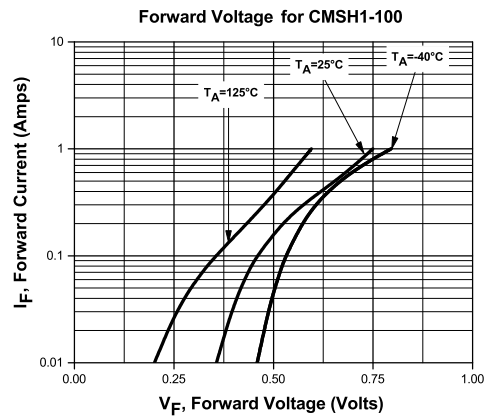
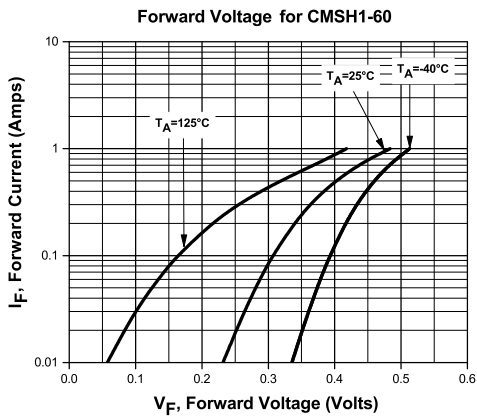
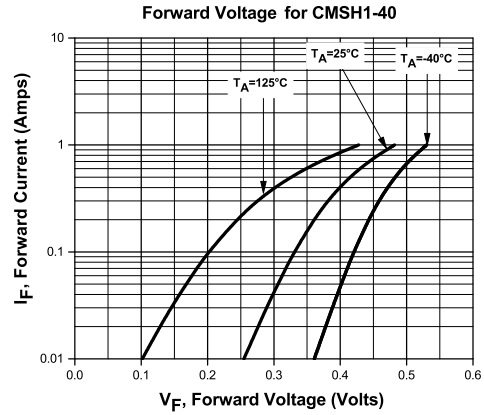
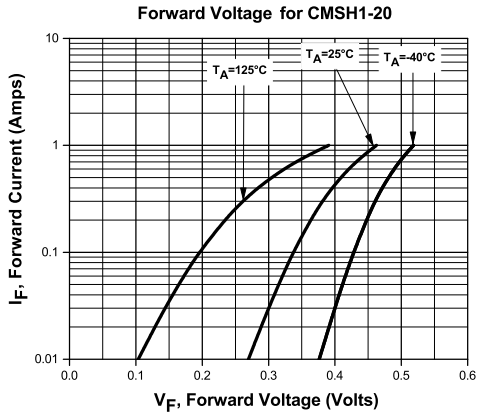
R4 (7-December 2015)

CMSH1-20 CMSH1-60
 CMSH1-40 CMSH1-100

**SURFACE MOUNT SILICON
 SCHOTTKY RECTIFIERS
 1.0 AMP, 20 THRU 100 VOLT**



TYPICAL ELECTRICAL CHARACTERISTICS



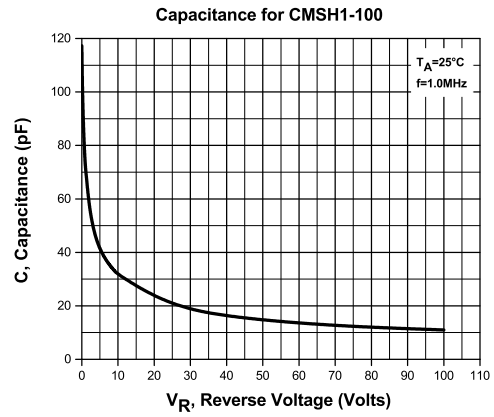
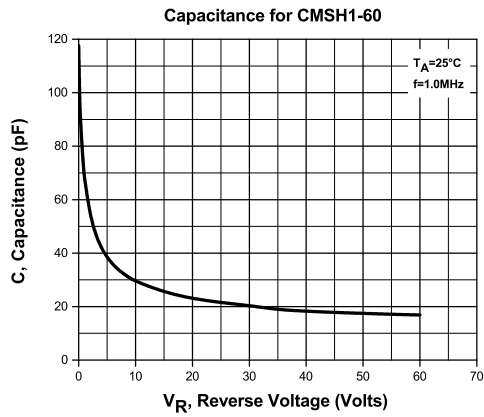
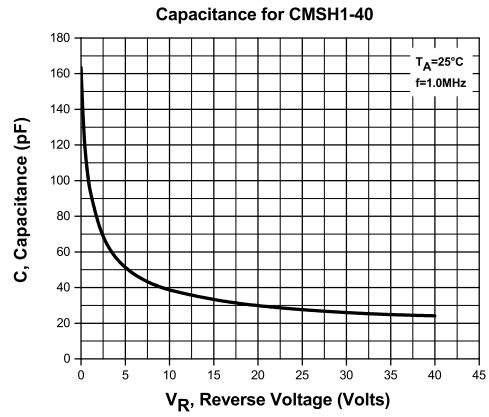
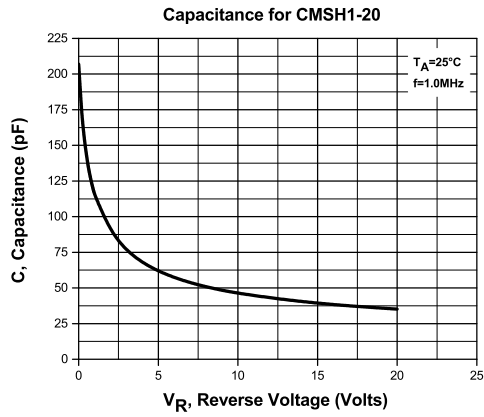
R4 (7-December 2015)

CMSH1-20 CMSH1-60
CMSH1-40 CMSH1-100

**SURFACE MOUNT SILICON
SCHOTTKY RECTIFIERS
1.0 AMP, 20 THRU 100 VOLT**



TYPICAL ELECTRICAL CHARACTERISTICS



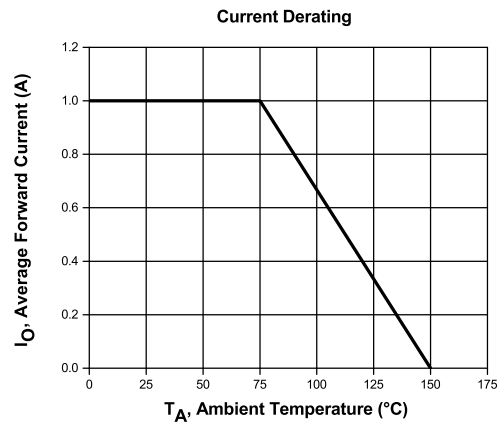
R4 (7-December 2015)

CMSH1-20 CMSH1-60
CMSH1-40 CMSH1-100

SURFACE MOUNT SILICON
SCHOTTKY RECTIFIERS
1.0 AMP, 20 THRU 100 VOLT



TYPICAL ELECTRICAL CHARACTERISTICS



R4 (7-December 2015)

OUTSTANDING SUPPORT AND SUPERIOR SERVICES



PRODUCT SUPPORT

Central's operations team provides the highest level of support to insure product is delivered on-time.

- Supply management (Customer portals)
- Inventory bonding
- Consolidated shipping options
- Custom bar coding for shipments
- Custom product packing

DESIGNER SUPPORT/SERVICES

Central's applications engineering team is ready to discuss your design challenges. Just ask.

- Free quick ship samples (2nd day air)
- Online technical data and parametric search
- SPICE models
- Custom electrical curves
- Environmental regulation compliance
- Customer specific screening
- Up-screening capabilities
- Special wafer diffusions
- PbSn plating options
- Package details
- Application notes
- Application and design sample kits
- Custom product and package development

CONTACT US

Corporate Headquarters & Customer Support Team

Central Semiconductor Corp.
145 Adams Avenue
Hauppauge, NY 11788 USA
Main Tel: (631) 435-1110
Main Fax: (631) 435-1824
Support Team Fax: (631) 435-3388
www.centalsemi.com

Worldwide Field Representatives:
www.centalsemi.com/wwreps

Worldwide Distributors:
www.centalsemi.com/wwdistributors

For the latest version of Central Semiconductor's **LIMITATIONS AND DAMAGES DISCLAIMER**, which is part of Central's Standard Terms and Conditions of sale, visit: www.centalsemi.com/terms