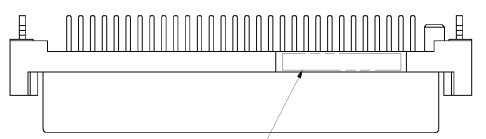
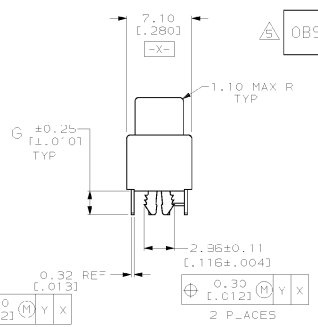
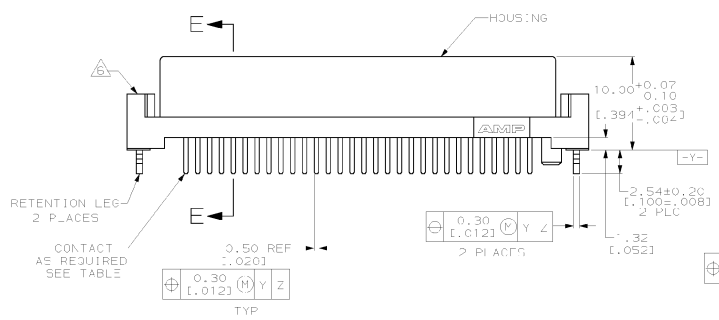
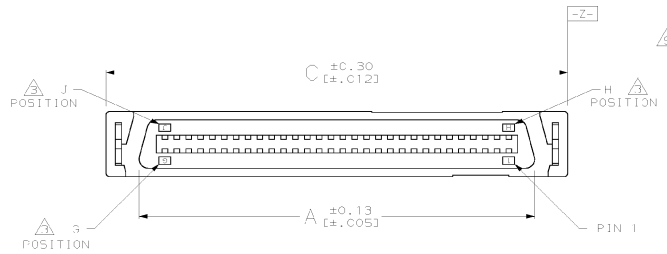


REV. NO.		ZONE		DESCRIPTION		DATE	APP'D
EW	00			AN	REVISE PER EC 0513-0132-03		JG

- △ MATERIALS:
 HOUSING- SPA RESIN, BLACK,
 MOLTING COMPOUND
 CONTACTS- PHOSPHOR BRONZE PLATED WITH
 MINIMUM THICK (SEE TABLE) GOLD IN CONTACT
 AREA AND 3.8μm (.000150) MINIMUM THICK
 TIN LEAD ON SOLDER TINES OVER 1.27μm
 (.000050) MINIMUM THICK NICKEL UNDERPLATE.
 RETENTION LEG- BRASS PLATED WITH 3.8μm
 (.000150) MINIMUM TIN-LEAD OVER 1.3μm
 (.000051) MINIMUM NICKEL UNDERPLATE.
- △ G, J, AND H INDICATE NUMBER OF POSITION
 MARKED ON ASSEMBLY. ALSO SEE TABLE.
- △ ALL DIMENSIONS SHOWN ARE MAXIMUM UNLESS
 OTHERWISE SPECIFIED.
- 4. 60 POSITION AS SHOWN.
- △ RETENTION LEGS NOT PRESENT.
- △ TOP OF RETENTION LEG MAY NOT PROTRUDE ABOVE THIS SURFACE.
- △ HOUSING BOW UP TO 0.30 (.012) ALLOWED.
- △ CONNECTOR WILL ACCOMMODATE MATING PRINTED
 CIRCUIT BOARD OF 1.6±0.07 (.063±.003)
 THICKNESS.
- △ PRELIMINARY - NOT RELEASED FOR PRODUCTION.



DATE CODE



△ SJPERSEDED
 BY 3-786925-3

△ OBSOLETE

REV. NO.	ZONE	DESCRIPTION	DATE	APP'D							
2.36 [.093]	3.40 [1.34]	38.53 [1.517]	49.45 [1.947]	46.81 [1.843]	42.37 [1.668]	30	60	31	0.00076 [.000030]	50	5 557103-2
2.36 [.093]	2.54 [1.00]	43.51 [1.717]	34.53 [2.147]	51.89 [2.043]	47.45 [1.868]	34	68	35	0.00076 [.000030]	68	5-557103-1
2.36 [.093]	3.30 [1.30]	32.18 [1.257]	43.10 [1.697]	40.46 [1.593]	36.02 [1.418]	25	50	26	0.00076 [.000030]	50	5-577103-0
2.36 [.093]	3.30 [1.30]	76.53 [3.017]	87.55 [3.447]	84.91 [3.343]	80.47 [3.168]	60	120	61	0.00076 [.000030]	120	4-557103-9
2.36 [.093]	3.30 [1.30]	127.43 [5.017]	138.35 [5.447]	135.71 [5.343]	131.27 [5.168]	100	200	101	0.00076 [.000030]	200	4-557103-2
0.8-1.5 [.031-.053]	2.54 [1.00]	127.43 [5.017]	138.35 [5.447]	135.71 [5.343]	131.27 [5.168]	100	200	101	0.00076 [.000030]	200	4-557103-1
0.8-1.5 [.031-.053]	2.54 [1.00]	102.03 [4.017]	112.95 [4.447]	110.31 [4.343]	105.87 [4.168]	80	160	81	0.00076 [.000030]	160	3-557103-7
0.8-1.5 [.031-.053]	2.54 [1.00]	82.98 [3.257]	93.90 [3.697]	91.26 [3.593]	86.82 [3.418]	65	130	66	0.00076 [.000030]	130	3-557103-3
0.8-1.5 [.031-.053]	2.54 [1.00]	76.53 [3.017]	87.55 [3.447]	84.91 [3.343]	80.47 [3.168]	60	120	61	0.00076 [.000030]	120	2-557103-9
2.36 [.093]	3.30 [1.30]	53.33 [2.117]	74.85 [2.947]	72.21 [2.843]	67.77 [2.668]	50	100	51	0.00076 [.000030]	100	2-557103-7
0.8-1.5 [.031-.053]	2.54 [1.00]	63.33 [2.517]	74.85 [2.947]	72.21 [2.843]	67.77 [2.668]	50	100	51	0.00076 [.000030]	100	2 557103 6
0.8-1.5 [.031-.053]	2.54 [1.00]	63.33 [2.517]	74.85 [2.947]	72.21 [2.843]	67.77 [2.668]	50	100	51	0.00076 [.000030]	100	2-557103-5
2.36 [.093]	3.30 [1.30]	51.23 [2.017]	52.15 [2.447]	59.51 [2.343]	55.07 [2.168]	40	80	41	0.00076 [.000030]	80	2-557103-3
0.8-1.5 [.031-.053]	2.54 [1.00]	51.23 [2.017]	52.15 [2.447]	59.51 [2.343]	55.07 [2.168]	40	80	41	0.00076 [.000030]	80	2-557103-2
0.8-1.5 [.031-.053]	2.54 [1.00]	51.23 [2.017]	52.15 [2.447]	59.51 [2.343]	55.07 [2.168]	40	80	41	0.00076 [.000030]	80	2-557103-1
0.8-1.5 [.031-.053]	2.54 [1.00]	43.51 [1.717]	34.53 [2.147]	51.89 [2.043]	47.45 [1.868]	34	68	35	0.00076 [.000030]	68	1-557103-7
0.8-1.5 [.031-.053]	2.54 [1.00]	43.51 [1.717]	34.53 [2.147]	51.89 [2.043]	47.45 [1.868]	34	68	35	0.00076 [.000030]	68	1-557103-3
0.8-1.5 [.031-.053]	2.54 [1.00]	32.18 [1.257]	43.10 [1.697]	40.46 [1.593]	36.02 [1.418]	25	50	26	0.00076 [.000030]	50	557103-8
0.8-1.5 [.031-.053]	2.54 [1.00]	25.33 [1.017]	36.75 [1.447]	34.11 [1.343]	29.67 [1.168]	20	40	21	0.00076 [.000030]	40	557103-5
0.8-1.5 [.031-.053]	2.54 [1.00]	-	30.40 [1.197]	27.96 [1.103]	23.32 [.918]	15	30	16	0.00076 [.000030]	30	557103-1
PCB THICKNESS	G	F	C	B	A	G	J	H	GOLD	POSN	PAR NO

DO NOT SCALE PRINT.
 UNLESS SPECIFIED
 DIMENSIONS IN mm (INCHES):
 TOLERANCES ON:
 2 PLC DEC ±
 3 PLC DEC ±
 ANGLES °

DR R-25-PR
 A-10.1
 CHC 10-3-99
 N. JONES
 APP'D 12-4-88
 J.B. WILKINSON
 TYPED J.L.O.

AMP APP. INCORPORATED
 NEW BRUNSWICK, NJ 07102

RECEPTACLE ASSEMBLY, VERTICAL,
 BOARD TO BOARD, CHAMP™ .050,
 SERIES I

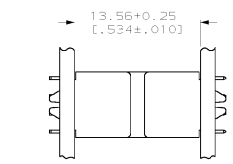
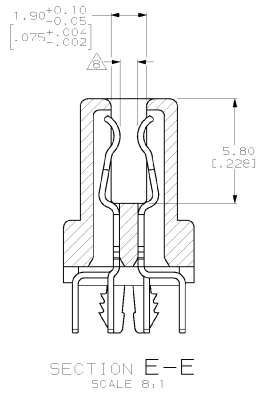
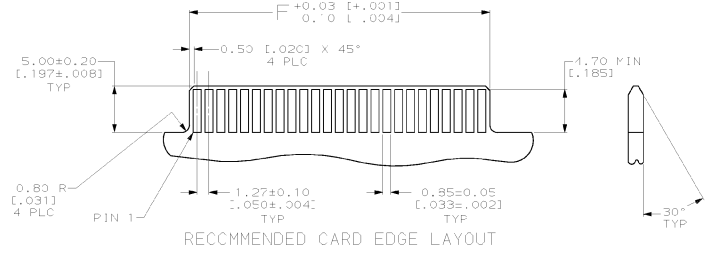
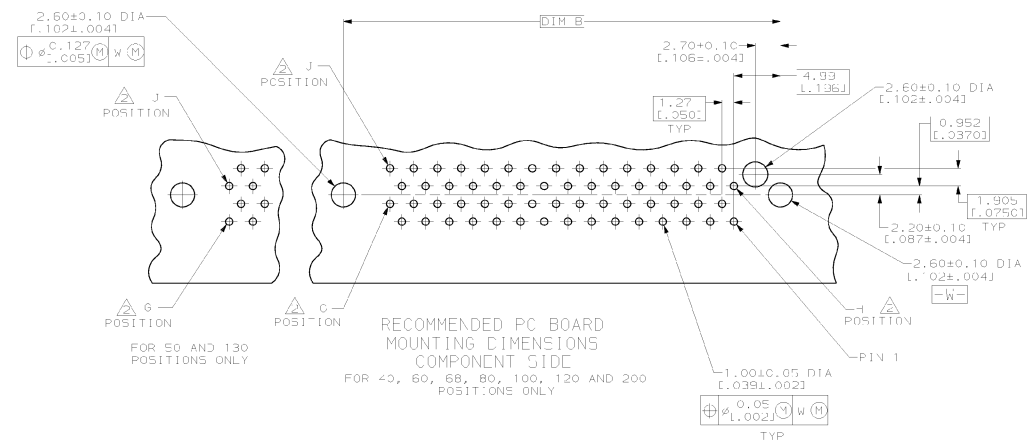
APPLICATION SPEC
 114-5045

SIZE CARE CODE
 D 00779

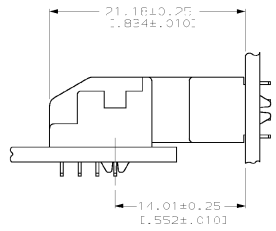
DRAWING NO
 557103

SCALE 4:1 SHEET 1 OF 2

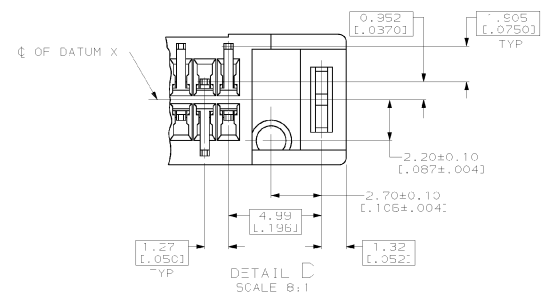
REV	DATE	ZONE	LT	DESCRIPTION	DATE	APPD
00				SEE SHEET 1		



VERTICAL RECEPTACLE ASSEMBLY MATED TO VERTICAL PLUG ASSEMBLY



VERTICAL RECEPTACLE ASSEMBLY MATED TO RIGHT ANGLE PLUG ASSEMBLY



DETAIL D SCALE 8:1

DO NOT SCALE PRINT. UNLESS SPECIFIED DIMENSIONS IN mm (INCHES):		DR R-25-P4 4-16-T		PAR. NO.	
TOLERANCES ON:	3 PLC DEC ±	APPD 12-4-88	TYPICAL	AMP APP INCORPORATED	
ANGLES	±	J.B. WILKINSON	PRODUCT SPEC	REPTAC. ASSEMBLY, VERTICAL, BOARD-TO-BOARD, CHAMP™ .050, SERIES 1	
FINISH	-	-	-	SIZE	SCALE CODE
WEIGHT	-	-	-	00779	4:1
				DRAWING NO.	SHEET
				557103	2 OF 2