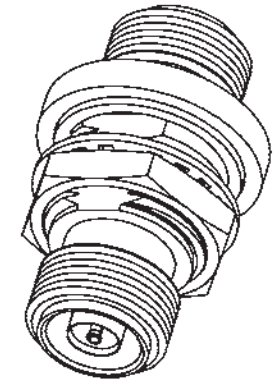
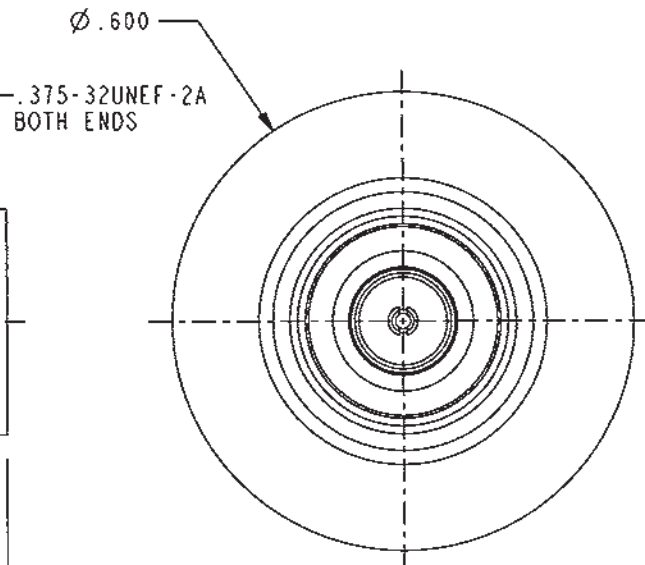
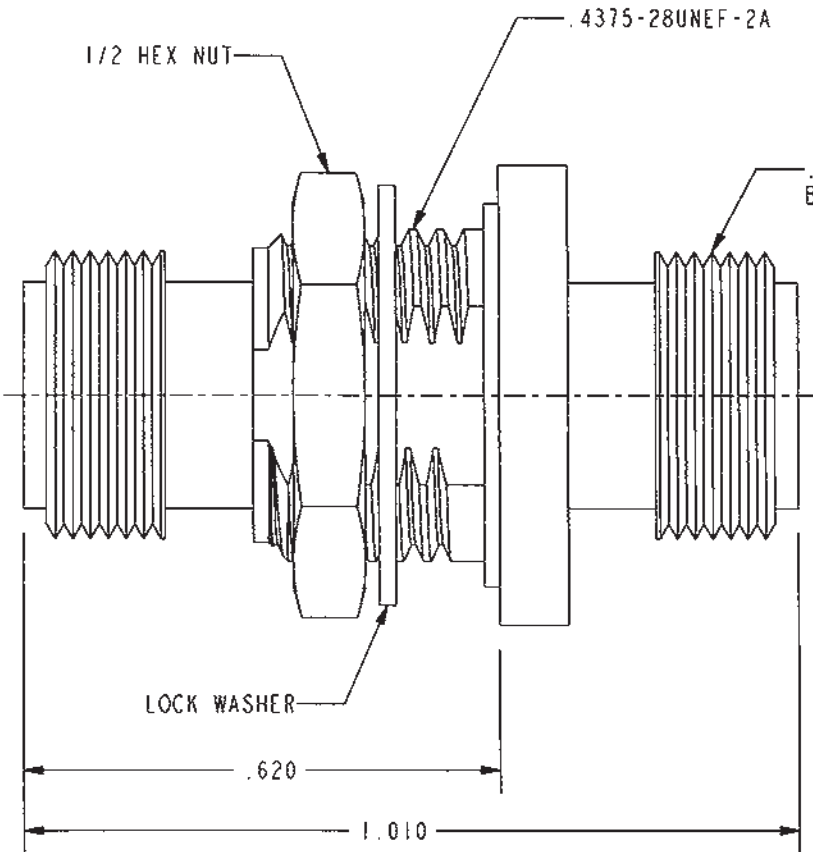
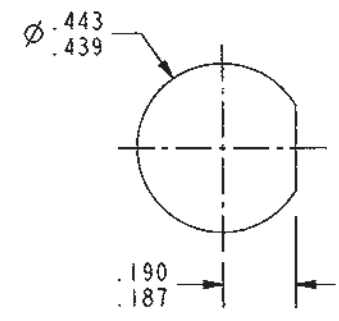


DATA CONTAINED IN THIS DOCUMENT IS PROPRIETARY TO TROMPETER ELECTRONICS INC. AND SHALL NOT BE DISCLOSED, COPIED OR USED FOR PROCUREMENT OR MANUFACTURE WITHOUT EXPRESS WRITTEN PERMISSION.

REVISIONS			
REV	DESCRIPTIONS	DATE	APPROVED
C	REVISED PER ECO 15196	11/8/04	WJ



SCALE 2/1




RECOMMENDED PANEL CUTOUT SCALE 2/1

RED INDICATES ORIGINAL

4. HERMETICITY: 1×10^{-6} CC/SEC MAX LEAKAGE RATE
3. MAX PANEL THICKNESS: .190
2. FINISH-
 HOUSING: NICKEL
 SOCKET CONTACT: GOLD
 INTERMEDIATE SHIELD: GOLD
1. FEMALE SUBMINIATURE CONCENTRIC TWINAX/TRIAX BULKHEAD FEEDTHRU RECEPTACLE (TPS STYLE), HERMETICALLY SEALED

NOTES: UNLESS OTHERWISE SPECIFIED.

INTERPRET DRAWING PER MIL-STD-100. DIMENSIONS ARE IN INCHES AND INCLUDE FINISH THICKNESS UNLESS OTHERWISE SPECIFIED.		TOL: UNLESS SPECIFIED .XX ± .02 .XXX ± .010 ANGLE ± 1°		 <p>TROMPETER RF connectivity <small>a cinch connectivity solutions brand</small></p>	
DRN	L.M.	1-5-04	MATERIAL:		
CHK	ALL	1-5-04	FINISH:	BJ3158HS	
QUALITY	WJ	11/8/04			
MANUF	WJ	11/8/04	SEE NOTE 2	SIZE	CAGE CODE
APPROVED	WJ	11/8/04		A	14949
NEXT ASSY		PROJ FILE NO.	DO NOT SCALE DWG	SCALE	DATE
		305-1585		4/1	10-31-03
				DRAWING NO.	REV.
				305-1585	C
				SHEET	IC