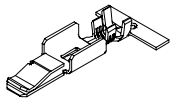
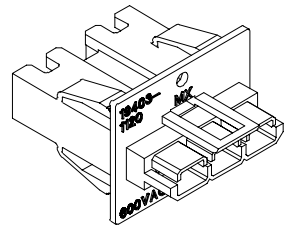
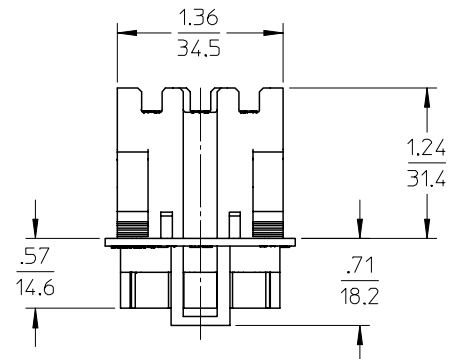
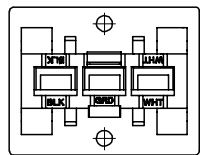
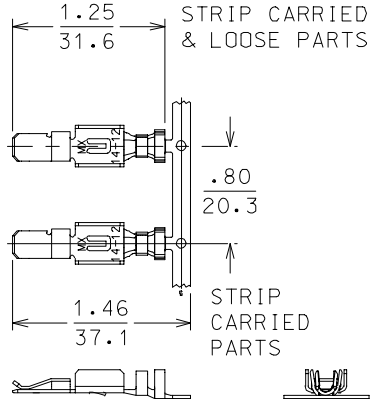


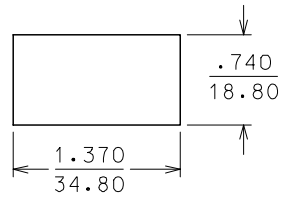
MATERIAL NUMBER	DESCRIPTION
194031120	SC HEADER
194031130	TERMINAL, STRIP CARRIED
194031131	TERMINAL, LOOSE PIECE



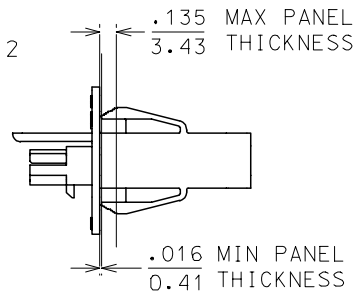
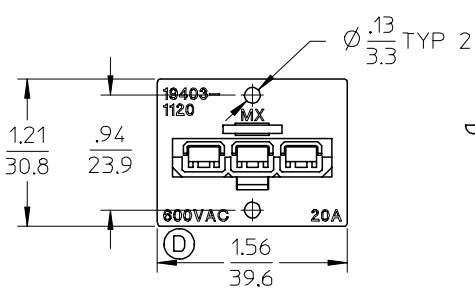
ISOMETRIC VIEW
TERMINAL, STRIP CARRIED



ISOMETRIC VIEW
SC HEADER



RECOMMENDED PANEL CUTOUT



SALES DRAWING

NOTES:
1) TERMINAL MATERIAL: HIGH COPPER ALLOY
PLATING: TIN
2) HOUSING MATERIAL: POLYESTER UL94-5VA

600VAC WAS 300VAC EC NO: ETC2005-0125 DRAWN: DMYRICK 2005/01/25 CHKD: RDEROSS 2005/01/26 APPR: RDEROSS 2005/01/26	DESCRIPTION	QUALITY SYMBOLS	GENERAL TOLERANCES (UNLESS SPECIFIED)		DIMENSION STYLE	SCALE	DESIGN UNITS	THIRD ANGLE PROJECTION
		▽=0	mm	INCH	IN/MM	1:1	INCH	
		▽=0	4 PLACES ± --- ± ---	3 PLACES ± --- ± .005	DRAWN BY DATE	TITLE		
			2 PLACES ± 0.13 ± .01	1 PLACE ± 0.3 ± ---	DYOUNG 00/01/18		CUSTOMER DRAWING SC PANEL MOUNT CONNECT 14-12 AWG	
	ANGULAR ± 1/2°	DRAFT WHERE APPLICABLE MUST REMAIN WITHIN DIMENSIONS		CHECKED BY DATE	MATERIAL NO.	DOCUMENT NO.	SHEET NO.	
				RDEROSS 00/01/18	SEE CHART	SD-19403-117	1 OF 1	
				APPROVED BY DATE	THIS DRAWING CONTAINS INFORMATION THAT IS PROPRIETARY TO MOLEX INCORPORATED AND SHOULD NOT BE USED WITHOUT WRITTEN PERMISSION			
				RDEROSS 00/01/18				