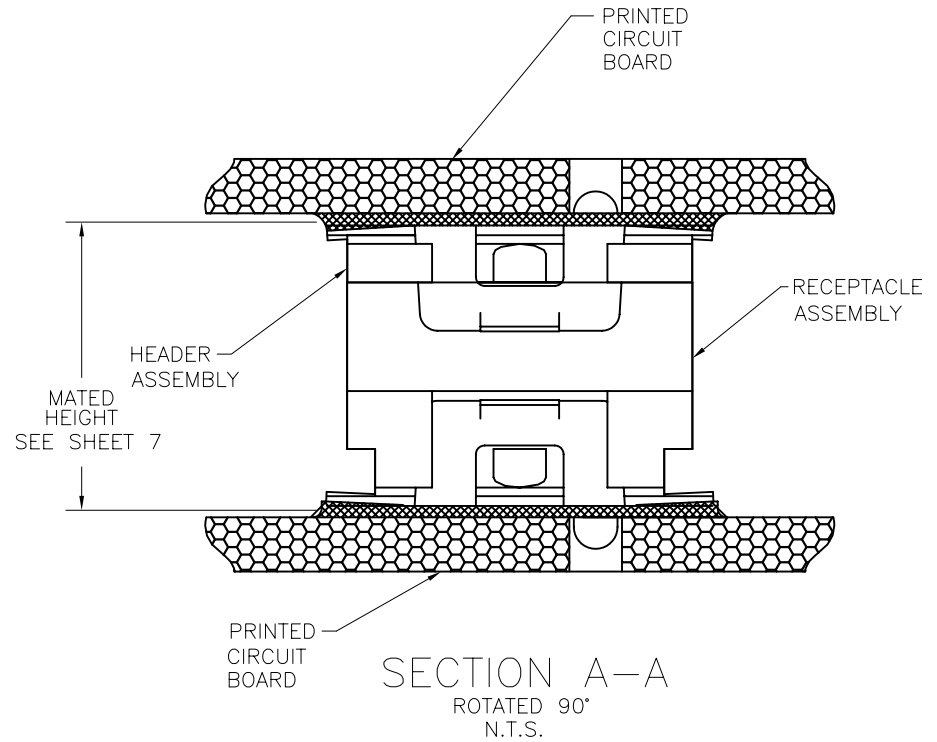
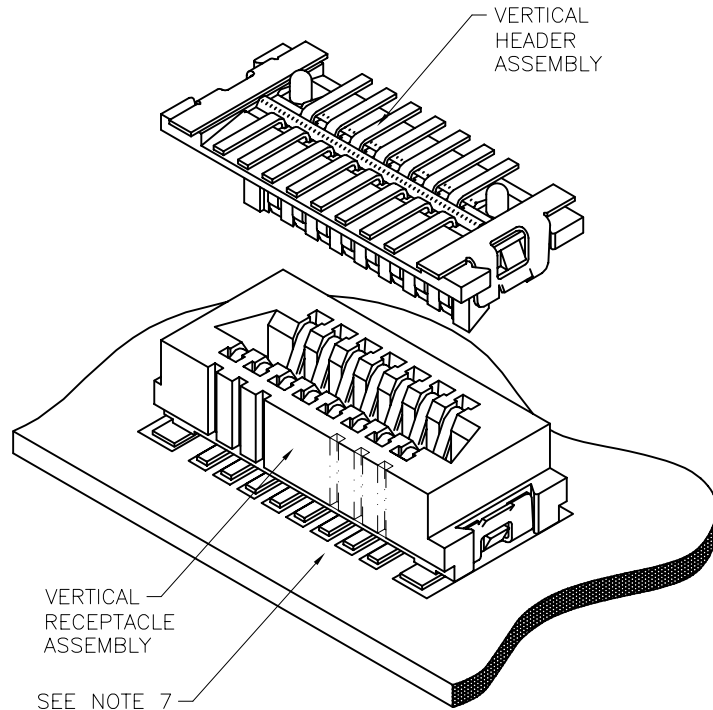


PRODUCT NUMBER  
SEE TABLE



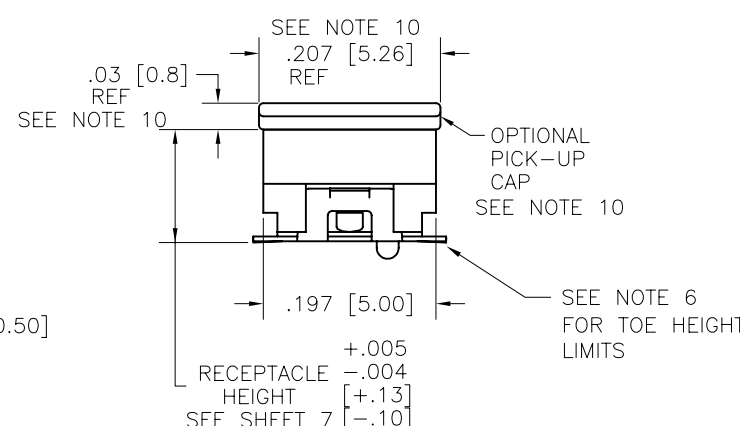
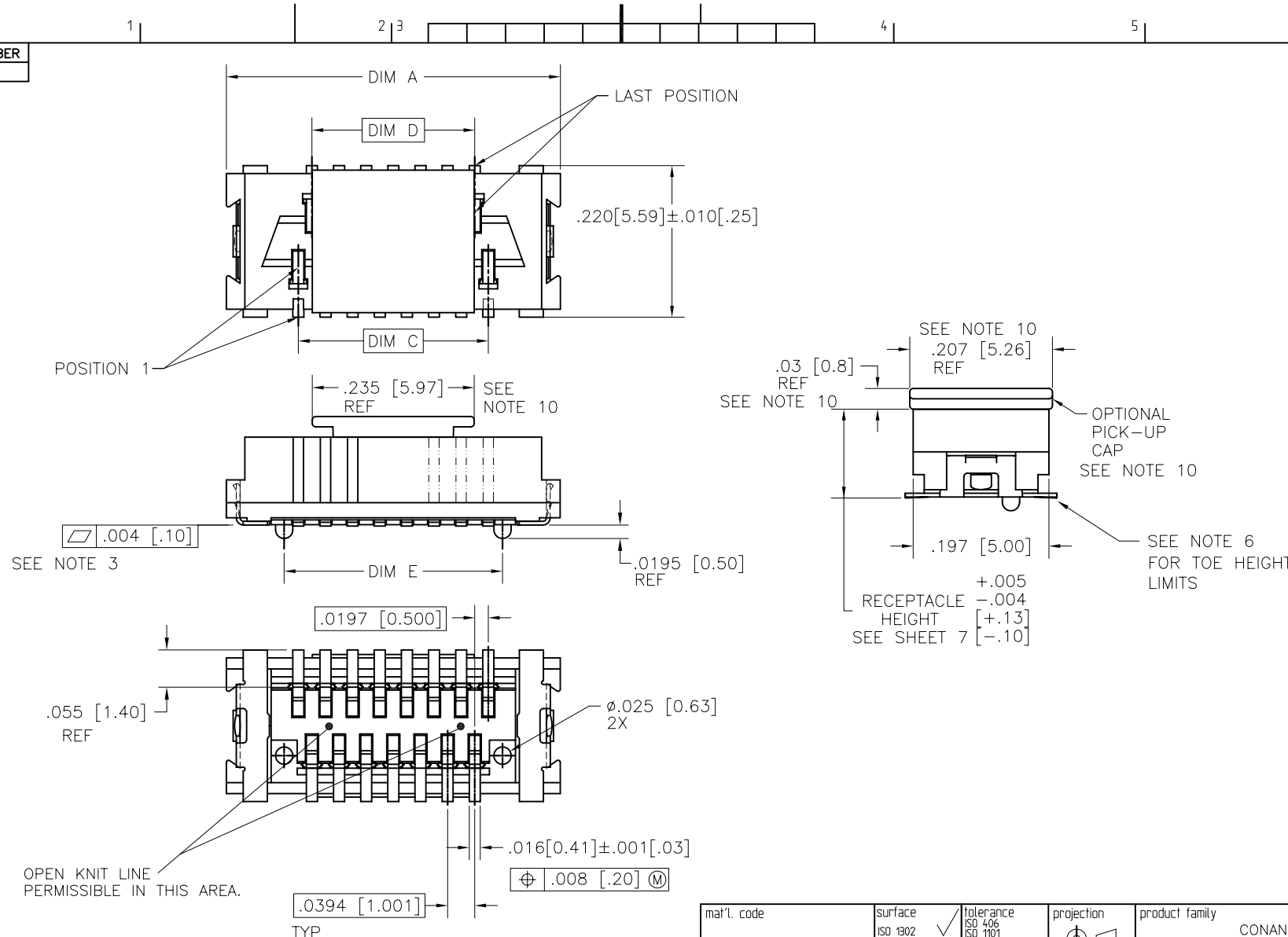
FCconnect.com

Copyright FCJ

mat'l. code		surface ISO 1302		tolerance ISO 406 ISO 1101		projection 		product family CONAN	
ltr	ecm no	dr	date	tolerances unless otherwise specified		INCH/MM		title	
A	M08-0040	AGS	02/14/08	angles	linear	.XX±.01/XX±.3		CONAN™ A-MAGNETIC CONNECTOR	
B	M08-0144	AGS	21/5/08			.XXX±.005/XX±.13		dwg no	
C	M08-0150	MHT	5/26/08	0°±2'		.XXXX±.0020/.XXX±.051		sheet 1 of 7 size	
				dr		A.GARCIA 02/14/08		10084781	
				engr		C.MARTINEZ 02/14/08		A3	
				chr		C.MARTINEZ 02/14/08		type	
				appd		C.MARTINEZ 02/14/08		Product Customer Drawing	
sheet	revision	C	C	C	C	C	C		
index	sheet	1	2	3	4	5	6		

form A3

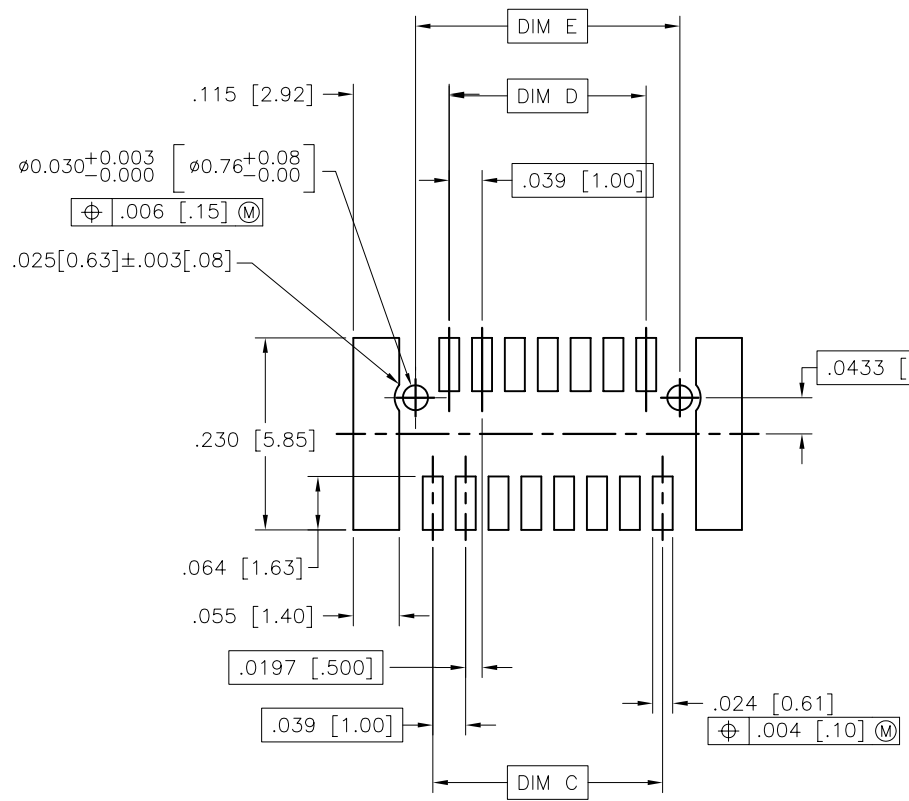
PRODUCT NUMBER  
SEE TABLE



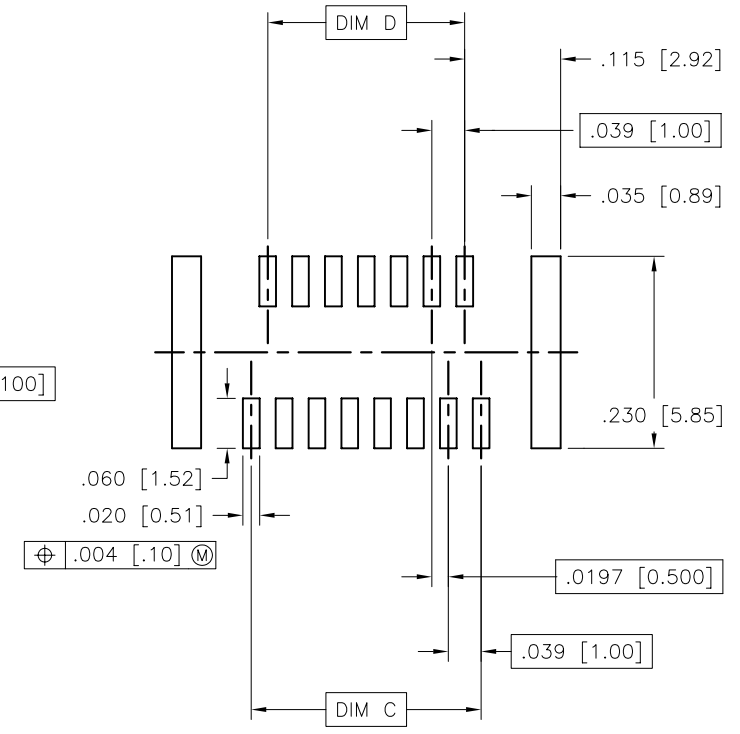
Copyright FCJ

mat'l. code		surface ISO 1302	tolerance ISO 406 ISO 1101	projection INCH/MM	product family CONAN
ltr	ecr no	dr	date	tolerances unless otherwise specified	title
C				linear .XX±.01/XX±.3 angles .XXX±.005/XX±.13 0°±2' .XXXX±.0020/XXX±.051	CONAN™ A-MAGNETIC CONNECTOR
				scale 5:1	dwg no 10084781
					sheet 2 of 7 size A3
					type Product Customer Drawing
sheet index	revision sheet				

PRODUCT NUMBER  
SEE TABLE



RECOMMENDED  
PAD LAYOUT



RECOMMENDED  
STENCIL LAYOUT  
FOR RECEPTACLE

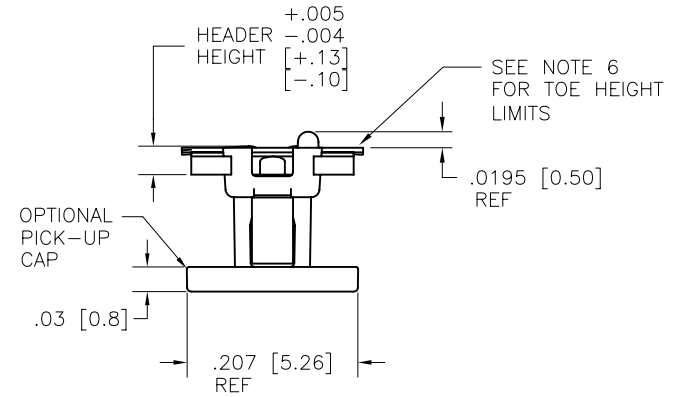
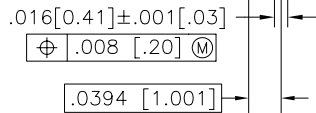
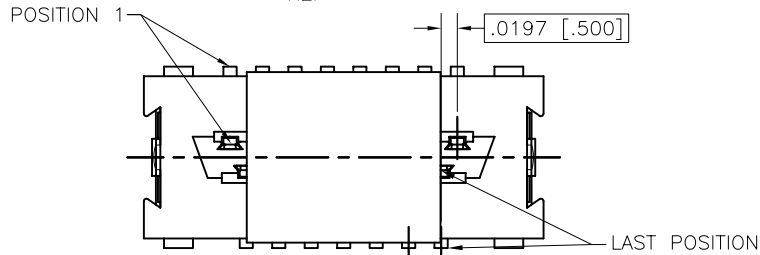
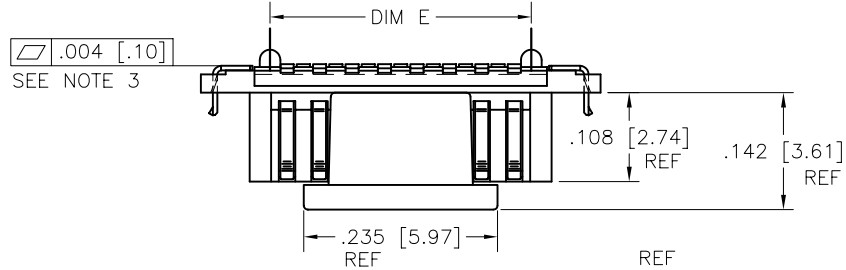
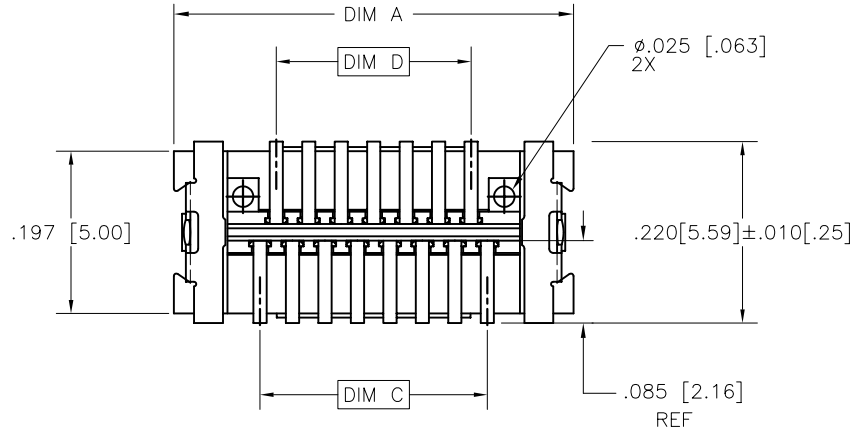


Copyright FCI

mat'l. code		surface ISO 1302		tolerance ISO 406 ISO 1101		projection INCH/MM		product family CONAN	
ltr	ecn no	dr	date	tolerances unless otherwise specified		scale 5:1		title CONAN™ A-MAGNETIC CONNECTOR	
C				angles	linear			dwg no 10084781	
				0°±2'	.XX±.01/XX±.3 .XXX±.005/XX±.13 .XXXX±.0020/.XXX±.051			sheet 3 of 7 size A3	
				dr	A.GARCIA	02/14/08		type Product Customer Drawing	
				enr	C.MARTINEZ	02/14/08			
				chr	C.MARTINEZ	02/14/08			
				appd	C.MARTINEZ	02/14/08			
sheet index	revision sheet								

form A3

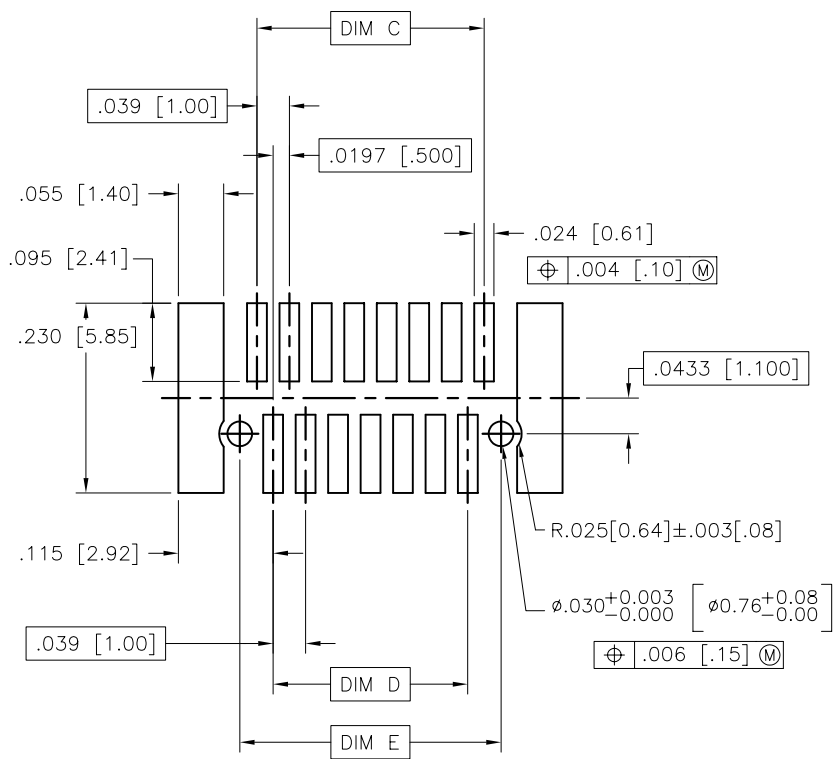
PRODUCT NUMBER  
SEE TABLE



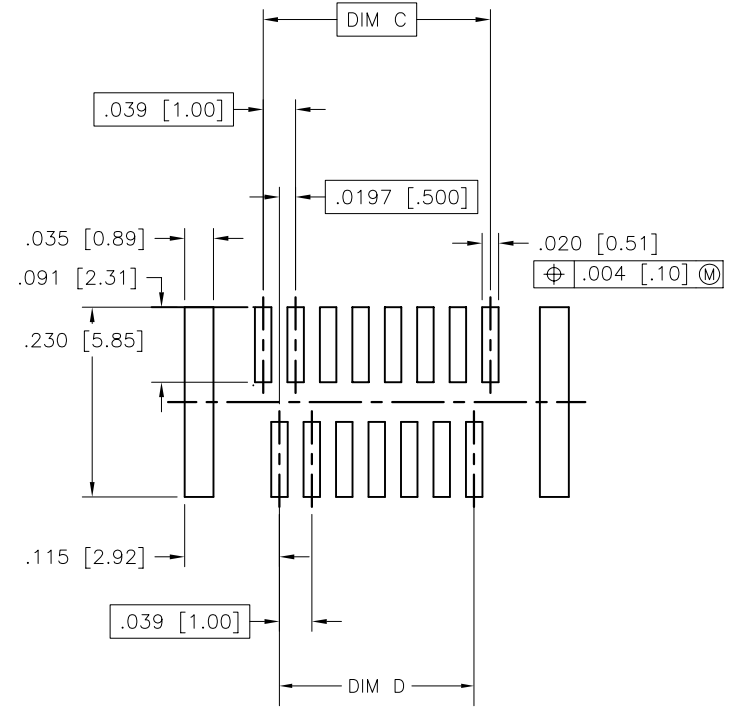
FCJ  
FCconnect.com  
Copyright FCJ

mat'l. code		surface ISO 1302		tolerance ISO 406 ISO 1101		projection INCH/MM		product family CONAN	
ltr	ecn no	dr	date	tolerances unless otherwise specified		scale 5:1		title CONAN™ A-MAGNETIC CONNECTOR	
C				angles	linear			dwg no 10084781	
				0°±2'	.XX±.01/XX±.3 .XXX±.005/XX±.13 .XXXX±.0020/XXX±.051			sheet 4 of 7 size A3	
				dr	A.GARCIA	02/14/08		type Product Customer Drawing	
				engr	C.MARTINEZ	02/14/08			
				chr	C.MARTINEZ	02/14/08			
				appd	C.MARTINEZ	02/14/08			
sheet index	revision sheet								

PRODUCT NUMBER  
SEE TABLE



RECOMMENDED  
PAD LAYOUT



RECOMMENDED  
STENCIL LAYOUT  
FOR HEADER



Copyright FCJ

mat'l. code		surface ISO 1302		tolerance ISO 406 ISO 1101		projection FIRST ANGLE		product family CONAN	
ltr	ecn no	dr	date	tolerances unless otherwise specified		INCH/MM		title CONAN™ A-MAGNETIC CONNECTOR	
C				angles	linear	scale 5:1		dwg no 10084781	
				0°±2'	.XX±.01/XX±.3 .XXX±.005/XX±.13 .XXXX±.0020/XXX±.051			sheet 5 of 7 size A3	
				dr	A.GARCIA	02/14/08		type Product Customer Drawing	
				enr	C.MARTINEZ	02/14/08			
				chr	C.MARTINEZ	02/14/08			
				appd	C.MARTINEZ	02/14/08			
sheet index	revision								
	sheet								

PRODUCT NUMBER	POS	DIM "A"	DIM "C"	DIM "D"	DIM "E"
10084781-TCWXY09	9	.366 [9.30]	.157 [4.00]	.118 [3.00]	.1990 [5.055]
-TCWXY11	11	.406 [10.30]	.197 [5.00]	.157 [4.00]	.2380 [6.045]
-TCWXY15	15	.484 [12.30]	.276 [7.00]	.236 [6.00]	.3170 [8.052]
-TCWXY21	21	.602 [15.30]	.394 [10.00]	.354 [9.00]	.4350 [11.049]
-TCWXY25	25	.681 [17.30]	.472 [12.00]	.433 [11.00]	.5140 [13.056]
-TCWXY31	31	.800 [20.30]	.591 [15.00]	.551 [14.00]	.6320 [16.053]
-TCWXY41	41	.996 [25.30]	.787 [20.00]	.748 [19.00]	.8290 [21.057]
-TCWXY51	51	1.193 [30.30]	.984 [25.00]	.945 [24.00]	1.0260 [26.060]
-TCWXY69	69	1.547 [39.30]	1.339 [34.00]	1.299 [33.00]	1.3800 [35.052]

NOTES:

- MATERIALS:  
HOUSING - LCP, UL-94V-0. COLOR: NATURAL.  
TERMINAL - COPPER ALLOY  
PLATED WITH 50u"/1.27u Au CONTACT AREA  
AND 200u"/5.08u SnPb ON SOLDER LEGS WITH  
AN OVERALL 50u"/1.27u Cu UNDERPLATE.
- REFERENCE GS-12-006 FOR PRODUCT PERFORMANCE DATA.
- SEE TA-774 FOR FURTHER DESCRIPTION OF HOW THIS DIMENSION IS APPLIED.
- PICK AND PLACE CAP OR TAPE IS ONLY AVAILABLE WITH OPTION 3 PACKAGING. (PSA ADHESIVE SEALED). ALSO, PSA PACKAGING REQUIRES A PICK AND PLACE CAP.
- RECOMMENDED SOLDER PASTE THICKNESS IS .006 TO .008 INCHES THICK.
- THE TOE HEIGHT OF THE SOLDER TAIL SHALL BE MEASURED FROM THE LOWEST POINT OF THE .004 CO-PLANARITY GRAVITY PLANE. THIS MEASUREMENT IS NOT TO EXCEED A WINDOW OF .000 TO .007 INCHES.
- THREE SLOTS MAY BE LOCATED AT EITHER END OF HOUSING.
- 5.50mm MATED HEIGHT IS ONLY AVAILABLE IN 9, 15 AND 31 POS.
- 7.50mm MATED HEIGHT IS ONLY AVAILABLE IN 9 POS.
- APPLIES TO 10086535-213XYZZ AND 10084781-313XYZZ OPTIONS ONLY.
- THE HOUSING WILL WITHSTAND EXPOSURE TO 260°C PEAK TEMPERATURE FOR 30 SECONDS IN A CONVECTION INFRA RED OR VAPOR PHASE REFLOW OVEN. SEE APPLICATION/PROCEDURES IF THEY ARE AVAILABLE



FCconnect.com

Copyright FCJ

mat'l. code		surface ISO 1302		tolerance ISO 406 ISO 1101		projection 		product family CONAN	
ltr	ecn no	dr	date	tolerances unless otherwise specified		INCH/MM		title CONAN™ A-MAGNETIC CONNECTOR	
C				angles	linear	scale 5:1		dwg no 10084781	
				0°±2°	.XX±.01/.X±.3 .XXX±.005/.XX±.13 .XXXX±.0020/.XXX±.051			sheet 6 of 7 size A3	
				dr	A.GARCIA	02/14/08		type Product Customer Drawing	
				enr	C.MARTINEZ	02/14/08			
				chr	C.MARTINEZ	02/14/08			
				appd	C.MARTINEZ	02/14/08			
sheet index	revision sheet								

form A3

PRODUCT NUMBER  
SEE TABLE

CONAN ASSEMBLY PART NUMBER

10084781 - T C W X Y ZZ

TYPE	T
HEADER WITH NO PEGS	0
HEADER WITH PEGS	1
RECEPTACLE WITH NO PEGS	2
RECEPTACLE WITH PEGS	3

PICK AND PLACE CAP OR TAPE (NOTE 4)	C
WITHOUT CAP OR TAPE	0
WITH CAP	1
WITH TAPE (RECEPTACLE ONLY)	2

PACKAGING	W
TUBE	2
PRESSURE SEALED TAPE & REEL	3

NOTE 4

Y	HEADER HEIGHT	RECEPTACLE HEIGHT	MATED HEIGHT	+0.10 -0.008 [+.25] [-.20]
1	.034 [.86]	.129 [3.28]	.163 [4.15]	
2	.048 [1.23]	SEE Y=1 FOR ALL RECEPTACLES	.177 [4.50]	
3	.068 [1.73]		.197 [5.00]	
4	.107 [2.72]		.236 [6.00]	
5	.1465 [3.721]		.276 [7.00]	
* 6	.088 [2.23]		.216 [5.50]	
* * 7	.1665 [4.229]		.296 [7.52]	

\* NOTE 8  
\* \* NOTE 9

X	PLATING
1	50u"/1.27u Au

ZZ	NUMBER OF POSITIONS
09	9
11	11
15	15
21	21
25	25
31	31
41	41
51	51
69	69

EXAMPLE: 10084781-2131125  
IS A CONAN RECEPTACLE ASSEMBLY,  
HAVING NO PEGS AND WITH A PICK AND PLACE CAP.  
IT ALSO HAS AU PLATING, IS .13 [3.2] HIGH AND 25  
POSITIONS AND IS PACKAGED IN PRESSURE SEALED TAPE,  
REEL



Copyright FCI

mat'l. code		surface ISO 1302	tolerance ISO 406 ISO 1101	projection 	product family CONAN
ltr	ecn no	dr	date	tolerances unless otherwise specified	title
C				angles linear .XX±.01/XX±.3 .XXX±.005/XX±.13 .XXXX±.0020/XXX±.051	CONAN™ A-MAGNETIC CONNECTOR
				0°±2'	INCH/MM scale 5:1
		dr	A.GARCIA	02/14/08	dwg no
		enr	C.MARTINEZ	02/14/08	sheet 7 of 7 size
		chr	C.MARTINEZ	02/14/08	10084781
		appd	C.MARTINEZ	02/14/08	A3
sheet	revision				type
index	sheet				Product Customer Drawing

form A3