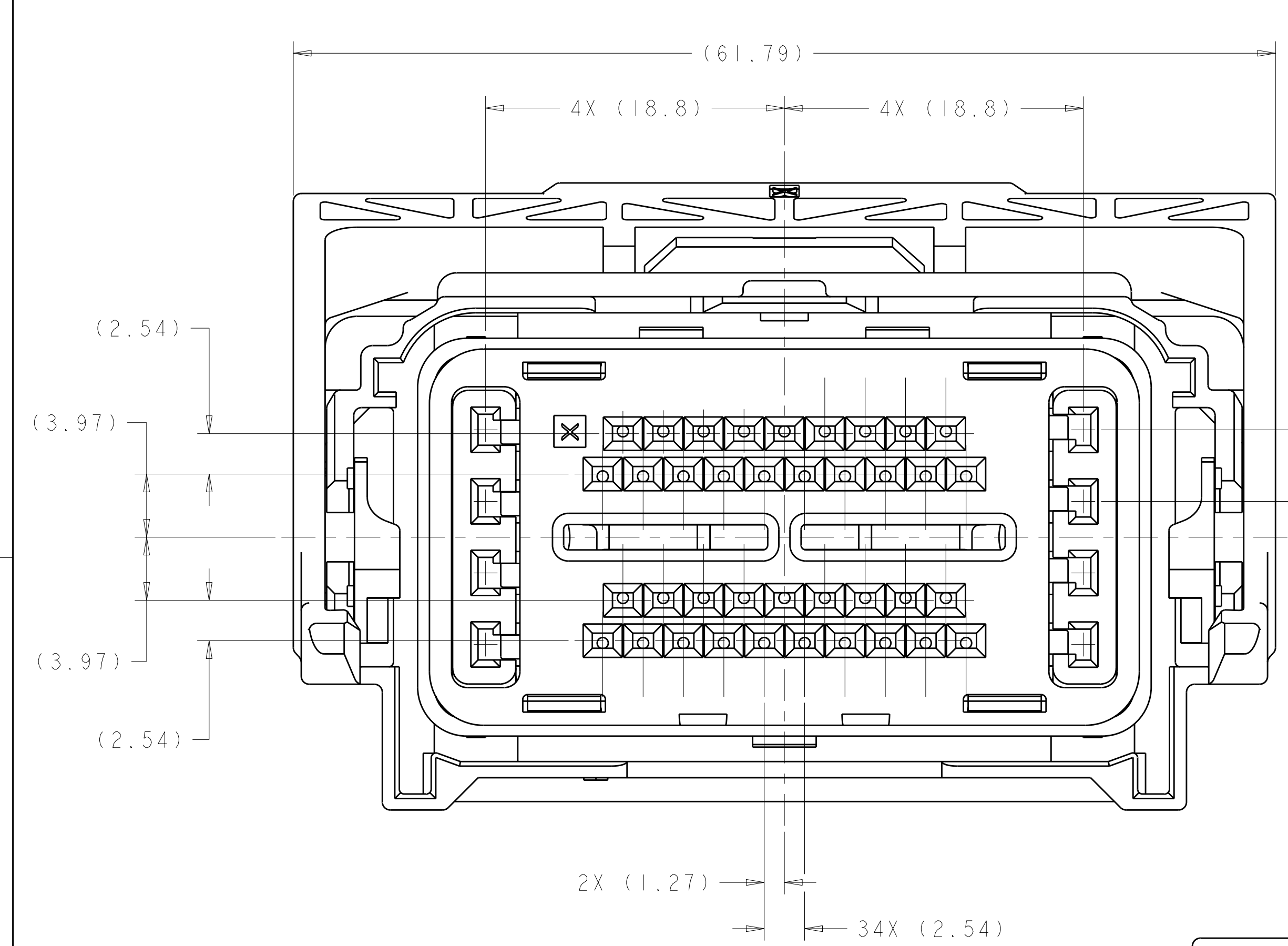
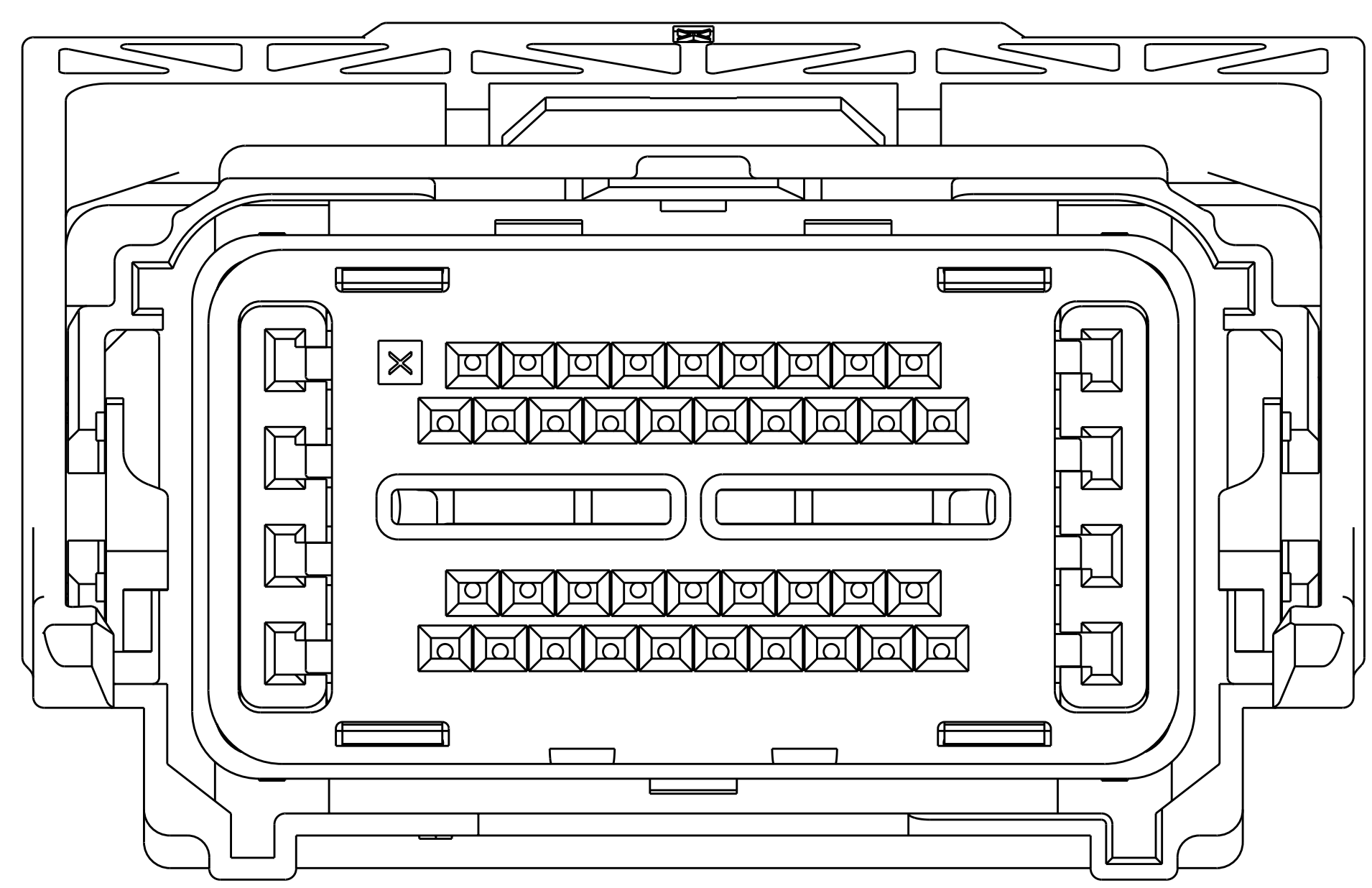


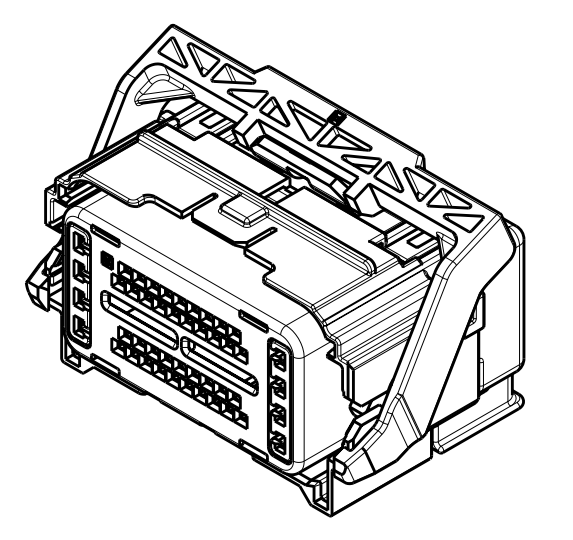
REV	DATE	DESCRIPTION	DATE	BY	APP'D
S10	23APR2009	REVISED PER ECO-09-009758		DLD	DCM
S11	29DEC2009	REVISED PER ECO-09-028550		DLD	DCM



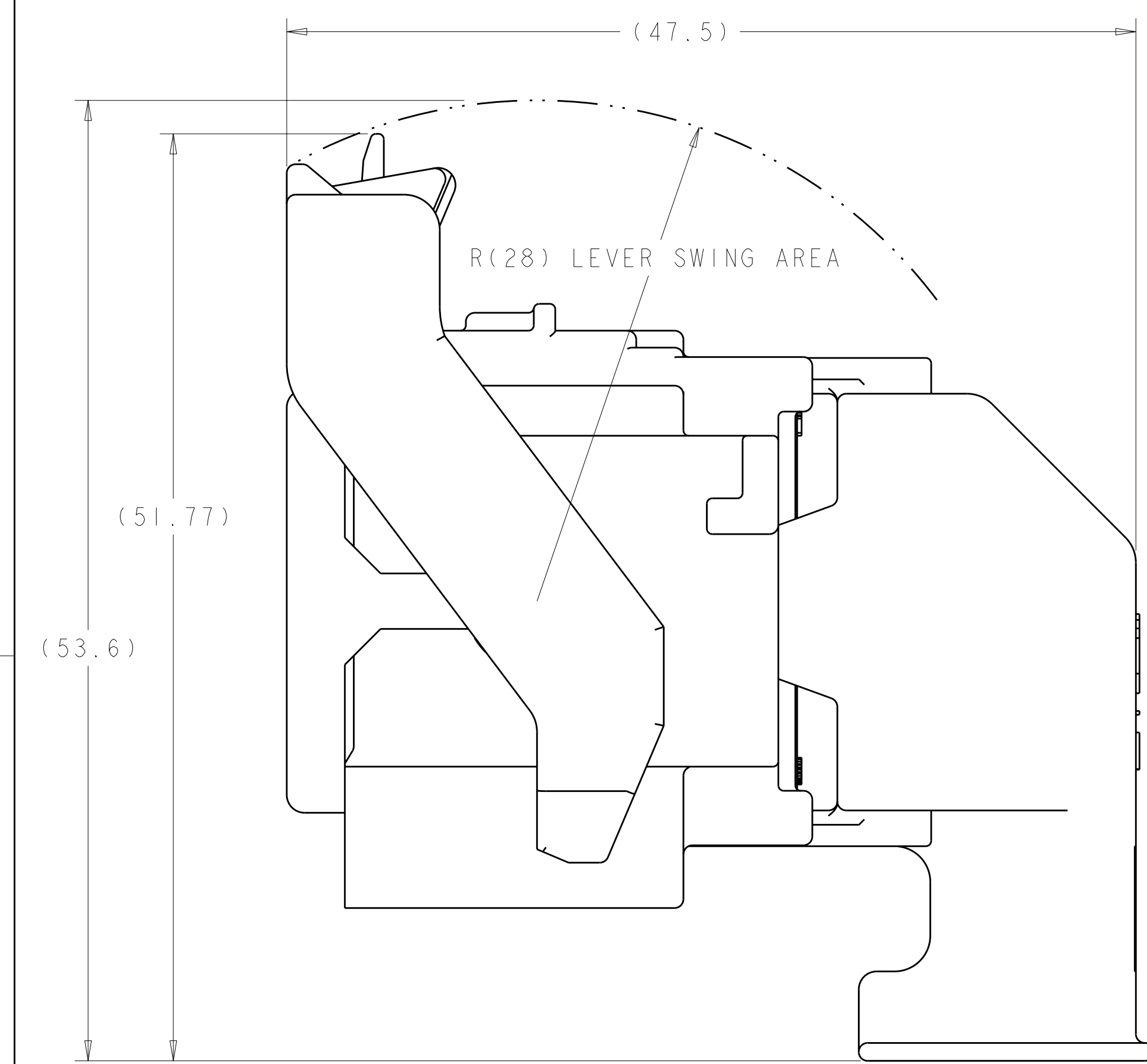
KEYING OPTION "A"
1438082-1



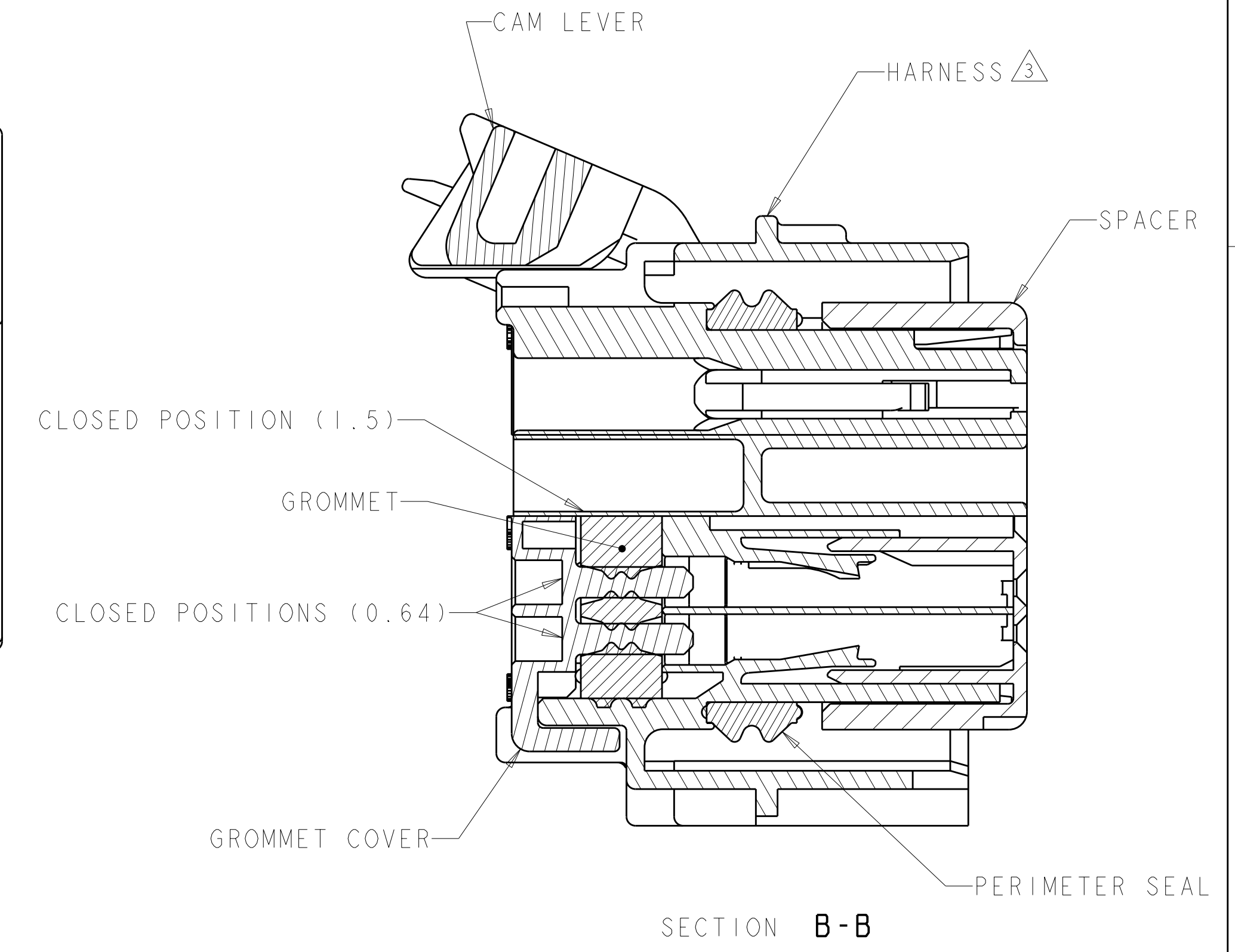
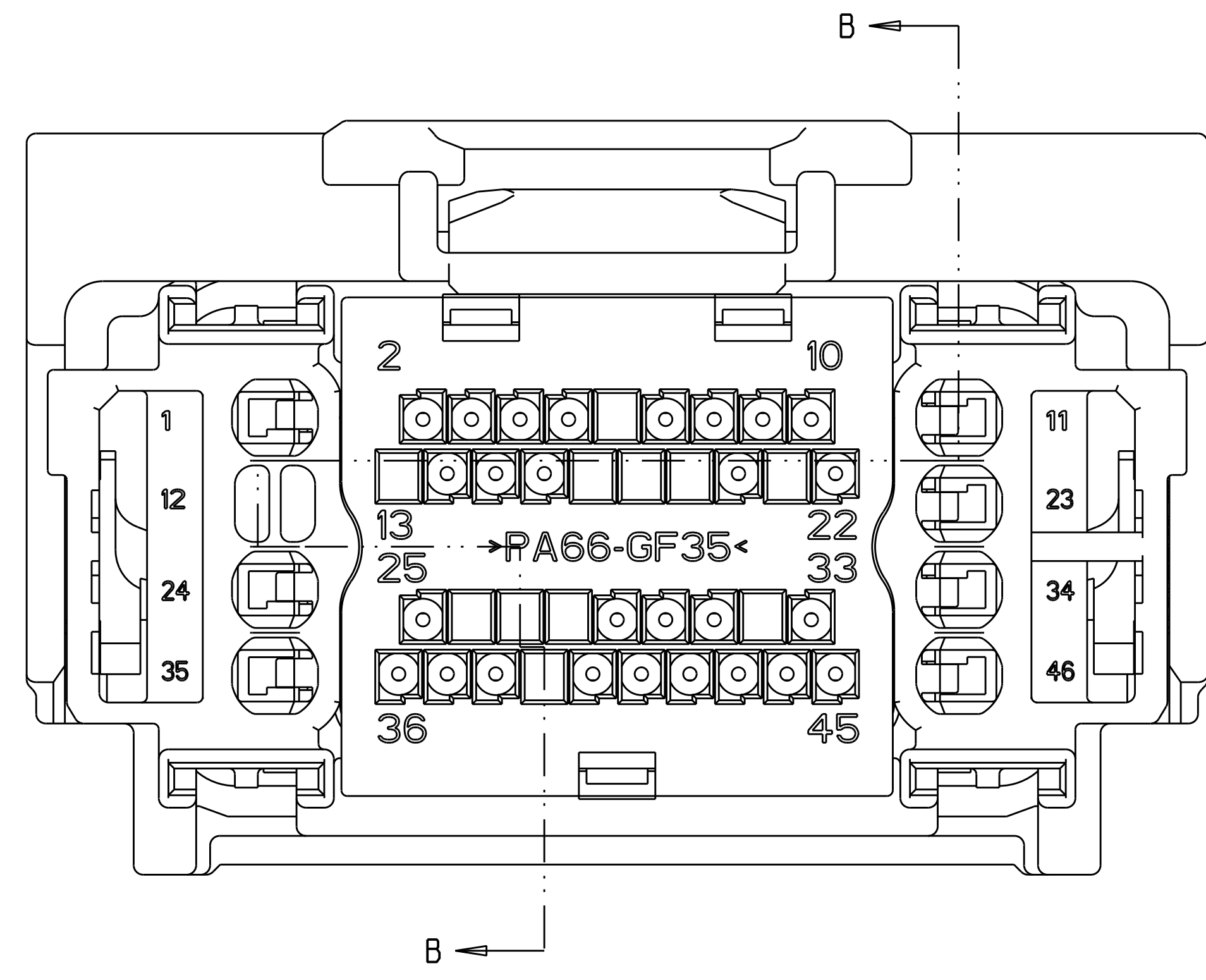
KEYING OPTION "B"
1438082-2



SCALE 1:1



SHOWN WITH CAM LEVER AND SPACER
IN LOADED POSITION WITH
OPTIONAL WIRESHIELD



SECTION B-B

- MATERIAL:
 - HARNESS - 35% GLASS FILLED PA66, BLACK
 - ALT MAT'L: HARNESS - 30% GLASS FILLED sPS, BLACK
 - SPACER - 40% GLASS FILLED PPS+PA66, RED
 - ALT MAT'L: 30% GLASS FILLED sPS, RED
 - ALT MAT'L: 35% GLASS FILLED PA66, RED
 - COVER - 35% GLASS FILLED PA66, BLACK
 - ALT MAT'L: COVER - 30% GLASS FILLED LCP, BLACK
 - CAM LEVER - 35% GLASS FILLED NYLON, GRAY
 - GROMMET - SILICONE, BROWN
 - PERIMETER SEAL - SILICONE, GREEN

- 2. CAM LEVER AND SPACER ARE SHIPPED IN PRE-LATCH POSITION.
- SEE PINOUT CHART ON SHEETS 2, 3 AND 4 FOR CLOSED CIRCUIT CONFIGURATIONS.
- CAVITIES WITH A NUMERIC SYMBOL INDICATES CLOSED TERMINAL LOCATIONS. BLANK CAVITIES INDICATE OPEN TERMINAL HOLE LOCATIONS.

SEE PINOUT CHARTS
PART NUMBER

DIMENSIONS: mm 		TOLERANCES UNLESS OTHERWISE SPECIFIED: 9 PLC ±0.3 1 PLC ±0.10 5 PLC ±0.15 4 PLC ±0.20 ANGLES ±°		DWN R. VESTAL 01AUG2003 CHK D. STRAUSSER 01AUG2003 APVD D. STRAUSSER 01AUG2003 PRODUCT SPEC APPLICATION SPEC WEIGHT CUSTOMER DRAWING		Tyco Electronics Harrisburg, PA 17105-3608 NAME: 46 WAY PCM CONNECTOR HARNESS ASSEMBLY SIZE: 00779 C=1438082 SCALE: 4:1 SHEET 1 OF 5		RESTRICTED TO	
--------------------	--	--	--	--	--	--	--	---------------	--

LOC		DIST		REVISIONS			
P	LTR	DESCRIPTION	DATE	DWN	APVD		
-	-	SEE SHEET 1	-	-	-		


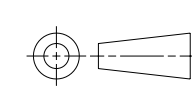
45	43			39	37	36	35				31					24				18	17	16		14	13	12			9	7	6			2	1	9-1438082-7	2LIT-14A464-SD-051						
		42														20	18			15	14			11	10				8	7			4	3	2	1	9-1438082-6	2LIT-14A464-SD-050					
		42														20	18							11	10											1	9-1438082-5	2LIT-14A464-SD-049					
		42														20	18							11	10											2	1	9-1438082-4	2LIT-14A464-SD-048				
							35					27																											9-1438082-3	2LIT-14A464-SD-047			
45	43					36	35				32	31				24	21	19	18	17	16		14	12												1	9-1438082-1	2LIT-14A464-SD-046					
46												31																											9-1438082-0	2LIT-14A464-SD-045			
												31				24																							8-1438082-9	2LIT-14A464-SD-044			
														27																									8-1438082-8	2LIT-14A464-SD-043			
45	44	43	42		40	38	37	36			33	31	29			24	22	20	18	17	16	15															3	8-1438082-7	2LIT-14A464-SD-042				
45	44	43	42		40	38	37	36			33	31	29			24	22	21	20	19	18	17	16	15													2	8-1438082-6	2LIT-14A464-SD-041				
46												31																											8-1438082-5	2LIT-14A464-SD-040			
			43	42			39	37										20	19	18									11	10	9								2	1	8-1438082-4	2LIT-14A464-SD-039	
			43									31	29																											8-1438082-3	2LIT-14A464-SD-038		
45	44	43	42		40	38	37	36			33	31	29			24	22	21	20	18	17	16	15															2	8-1438082-0	2LIT-14A464-SD-037			
45	43					36	35					31				24								16	14	12													2	1	7-1438082-9	2LIT-14A464-SD-036	
45	43					36	35					31				24	21	19																						2	1	7-1438082-8	2LIT-14A464-SD-035
			43	42			39	38	37			32																													7-1438082-5	2LIT-14A464-SD-034	
45	44	43	42		40	38	37	36			33	31	29			24	22	21	20	18	17	16	15																2	7-1438082-4	2LIT-14A464-SD-033		
45	44	43	42		40	38	37	36			33	31				24	22	21	20	18	17	16	15																2	7-1438082-3	2LIT-14A464-SD-032		
					40								29																												6-1438082-6	2LIT-14A464-SD-031	
																																									6-1438082-3	2LIT-14A464-SD-030	
																																									6-1438082-2	2LIT-14A464-SD-029	
																																									6-1438082-1	2LIT-14A464-SD-028	
													29	28		25																									5-1438082-6	2LIT-14A464-SD-027	
													29	28		25																									5-1438082-5	2LIT-14A464-SD-026	
													30	29																											5-1438082-2	2LIT-14A464-SD-025	
			43	42			39	37																																	5-1438082-0	2LIT-14A464-SD-024	
			42																																						4-1438082-9	2LIT-14A464-SD-023	
			43	42			39	37																																	4-1438082-8	2LIT-14A464-SD-022	
			42																																						4-1438082-7	2LIT-14A464-SD-021	
			43	42			39	37																																	4-1438082-2	2LIT-14A464-SD-020	
45	43					36	35					31				24																									4-1438082-0	2LIT-14A464-SD-019	
			43	42			39	37																																	3-1438082-8	2LIT-14A464-SD-018	
			42																																						3-1438082-7	2LIT-14A464-SD-017	
			43	42			39	37																																	3-1438082-6	2LIT-14A464-SD-016	
			42																																						3-1438082-5	2LIT-14A464-SD-015	
45	43				39	37	36	35				31				24	21	19	18	17	16		14	13	12															3-1438082-4	2LIT-14A464-SD-014		
45	43				39	37	36	35			33	31				25	24	21	19	18	17	16		14	13	12														3-1438082-3	2LIT-14A464-SD-013		
45	43						36	35				31				24	21	19	18	17	16		14	12																	3-1438082-2	2LIT-14A464-SD-012	
			42																																							3-1438082-1	2LIT-14A464-SD-011
			43	42			39	37																																		3-1438082-0	2LIT-14A464-SD-010
			42																																							2-1438082-9	2LIT-14A464-SD-009
			43	42			39	37																																		2-1438082-5	2LIT-14A464-SD-008
45					39	37	36	35			33					25	24	21	19	18	17	16		14	13	12															2-1438082-3	2LIT-14A464-SD-007	
45					39	37	36	35								24	21	19	18	17	16		14	13	12																2-1438082-2	2LIT-14A464-SD-006	
45							36	35			33					25	24	21	19	18	17	16		14	12																1-1438082-9	2LIT-14A464-SD-005	
45							36	35								24	21	19	18	17	16		14	12																	1-1438082-8	2LIT-14A464-SD-004	
45							35									24	21	19	18	17	16		14	12																	1-1438082-1	2LIT-14A464-SD-003	
													29	28																												1438082-6	2LIT-14A464-SD-002
							35									24	21	19	18	17																					1438082-5	2LIT-14A464-SD-001	
																																										1438082-1	2LIT-14A464-SD-000
46	45	44	43	42	41	40	39	38	37	36	35	34	33	32	31	30	29	28	27	26	25	24	23	22	21	20	19	18	17	16	15	14	13	12									

THIS DRAWING IS UNPUBLISHED. RELEASED FOR PUBLICATION 20
 © COPYRIGHT 20 BY TYCO ELECTRONICS CORPORATION. ALL RIGHTS RESERVED.

LOC	DIST	REV	DATE	BY	APPD
FX	00				

TERMINAL HOLE POSITION		PART NUMBER	FORD PART NUMBER										
44	43 42 41	38	26	7 5	9-1438082-9	2LIT-14A464-TD-044							
44		38	26	7	9-1438082-8	2LIT-14A464-TD-043							
	40 39 38	35 34		24 21 18 16 15 13 12	9 8 7 5	9-1438082-2	2LIT-14A464-TD-042						
46	43 42	40	35 34	31 28	24 21 19	12	9	5 4	1	8-1438082-2	2LIT-14A464-TD-041		
		40 39 38	35 34		24 21 18 16 15 13 12		8 7 5			8-1438082-1	2LIT-14A464-TD-040		
			35		27		9	6	3		7-1438082-7	2LIT-14A464-TD-039	
	43 42	39 38 37		32	28		19 18 17 16		10 9		7-1438082-6	2LIT-14A464-TD-038	
	43 42	40	35		28	24 21 19			12	5 4	1	7-1438082-2	2LIT-14A464-TD-037
	43 42		35			24 21 19			12	5 4	1	7-1438082-1	2LIT-14A464-TD-036
	43 42	39 38 37			28		19 18 17 16	13	10 9			7-1438082-0	2LIT-14A464-TD-035
	43 42	39 38 37			28		19 18 17 16		10 9			6-1438082-9	2LIT-14A464-TD-034
44	42	38				26				7		6-1438082-8	2LIT-14A464-TD-033
	43 42	39 38 37		32	28		19 18 17 16	13	10 9			6-1438082-7	2LIT-14A464-TD-032
44	42	38			27	26		22				6-1438082-5	2LIT-14A464-TD-031
44	42	38				26						6-1438082-4	2LIT-14A464-TD-030
	43 42	38 37		32			19 18 17 16		10 9			6-1438082-0	2LIT-14A464-TD-029
	43 42	39 38 37		32			19 18 17 16	13	10 9			5-1438082-9	2LIT-14A464-TD-028
	43 42	38 37		32			19 18 17 16		10 9			5-1438082-8	2LIT-14A464-TD-027
	43 42	39 38			28		19 18 17 16		10 9			5-1438082-7	2LIT-14A464-TD-026
46 45	43		34 33 32 31		27		22 21 20 19 18	16 15 14 13 12	10 9 8 7		1	5-1438082-4	2LIT-14A464-TD-025
	44	42	38								3	5-1438082-3	2LIT-14A464-TD-024
		40 39	35 34				21 18 16 15 13		9 8 7			5-1438082-1	2LIT-14A464-TD-023
46 45	44 43	41 40	34 33 32 31	29 27			22 21 20 19 18	16 15 14 13 12	10 9 8 7		1	4-1438082-6	2LIT-14A464-TD-022
	44	42	38		30	27 26	22					4-1438082-5	2LIT-14A464-TD-021
	44	42	38		30						3	4-1438082-4	2LIT-14A464-TD-020
	44	42	38		30	26						4-1438082-3	2LIT-14A464-TD-019
46 45	43		34 33 32 31		27		21 20 19 18	16 15 14 13 12	10 9 8 7		1	4-1438082-1	2LIT-14A464-TD-018
		40 39	35 34				21 18 16 15 13		9 8 7 5			3-1438082-9	2LIT-14A464-TD-017
	44	42	38 37		30	27 26	22		9			2-1438082-8	2LIT-14A464-TD-016
	44	42	38 37		30				9			2-1438082-7	2LIT-14A464-TD-015
	44	42	38 37		30	26			9			2-1438082-6	2LIT-14A464-TD-014
	43 42	39 38 37		33 32	28 27 26		22 21 20 19 18 17 16	13	10			2-1438082-4	2LIT-14A464-TD-013
46 45	44 43		34 33 32 31		27		22 21 20 19 18	15 14 13 12	10 9 8 7		1	2-1438082-1	2LIT-14A464-TD-012
46 45	44 43		34 33 32 31		27		22 21 20 19 18	16 15 14 13 12	10 9 8 7		1	2-1438082-0	2LIT-14A464-TD-011
	43 42	39 38 37			28		19 18 17 16		10			1-1438082-7	2LIT-14A464-TD-010
	43 42	39 38 37		32	28 27 26		21 20 19 18 17 16	13	10			1-1438082-6	2LIT-14A464-TD-009
	43 42	39 38 37		32	28		19 18 17 16	13	10			1-1438082-5	2LIT-14A464-TD-008
	43 42	38 37		32			19 18 17 16		10			1-1438082-4	2LIT-14A464-TD-007
46 45	44 43		34 33 32 31		27		22 21 20 19 18	15 14 13 12	10 9 8 7		1	1-1438082-3	2LIT-14A464-TD-006
46 45	44 43		34 33 32 31		27		22 21 20 19 18	16 15 14 13 12	10 9 8 7		1	1-1438082-2	2LIT-14A464-TD-005
	43 42	39 38			28		18 17 16		10			1438082-9	2LIT-14A464-TD-004
			32									1438082-8	2LIT-14A464-TD-003
			34 33 32 31		27		22 21 20 19 18	16 15 14 13 12	10 9 8 7		1	1438082-7	2LIT-14A464-TD-002
			34 33 32 31		27		22 21 20 19 18	15 14 13 12	10 9 8 7		1	1-1438082-0	2LIT-14A464-TD-001
												1438082-2	2LIT-14A464-TD-000

PIN-OUT CHART KEYING OPTION "B" 

<small>THIS DRAWING IS UNPUBLISHED. RELEASED FOR PUBLICATION 20</small> <small>© COPYRIGHT 20 BY TYCO ELECTRONICS CORPORATION. ALL RIGHTS RESERVED.</small>		DWN R. VESTAL 01AUG2003 CHK D. STRAUSSER 01AUG2003 APVD D. STRAUSSER 01AUG2003	 Tyco Electronics Harrisburg, PA 17105-3608
DIMENSIONS: mm 	TOLERANCES UNLESS OTHERWISE SPECIFIED: 9 PLC ±.3 1 PLC ±0.10 5 PLC ±. 4 PLC ±. ANGLES ±°	NAME PRODUCT SPEC APPLICATION SPEC WEIGHT CUSTOMER DRAWING	SIZE CAGE CODE DRAWING NO A 00779 C=1438082 SCALE 4:1 SHEET 4 OF 5

