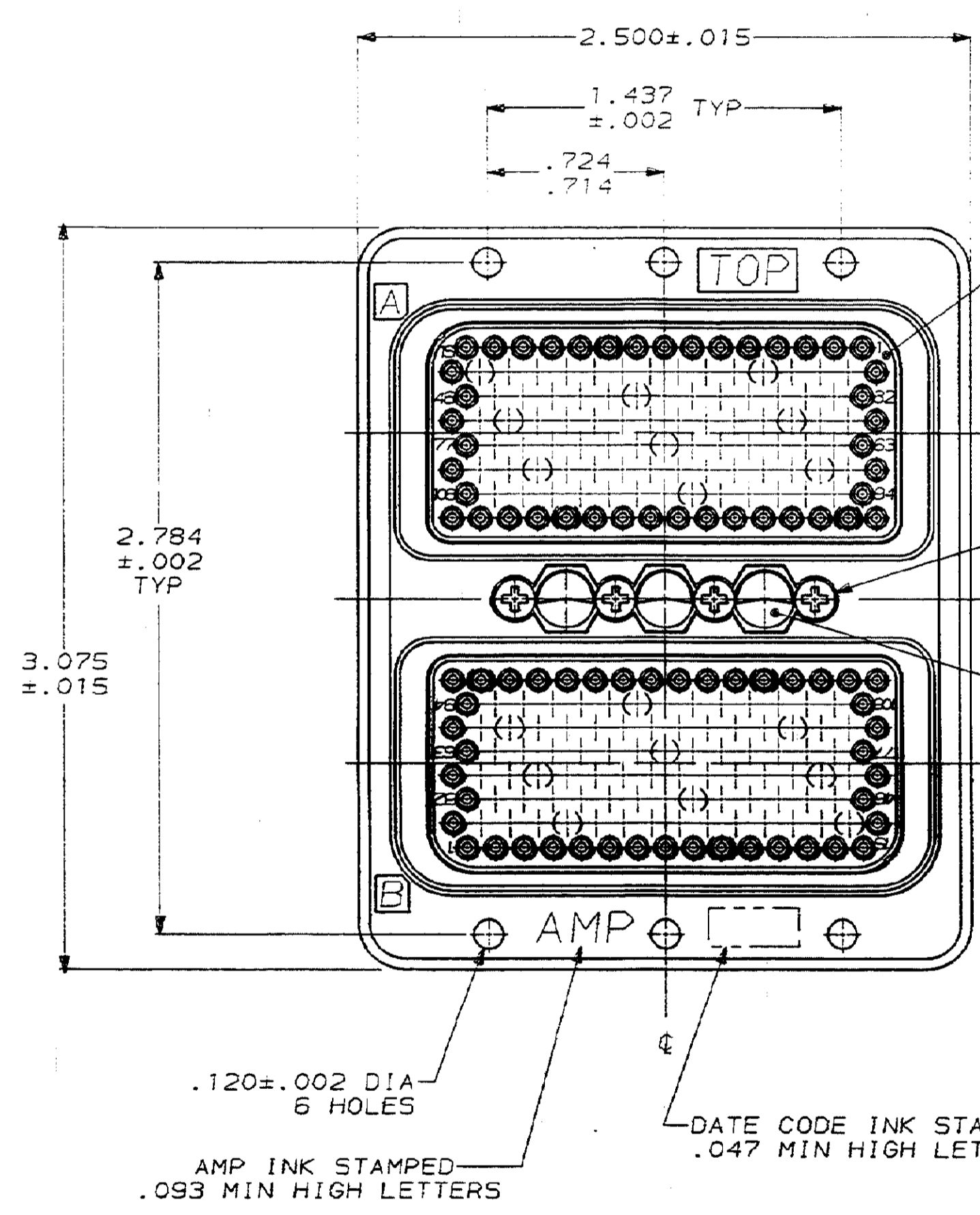
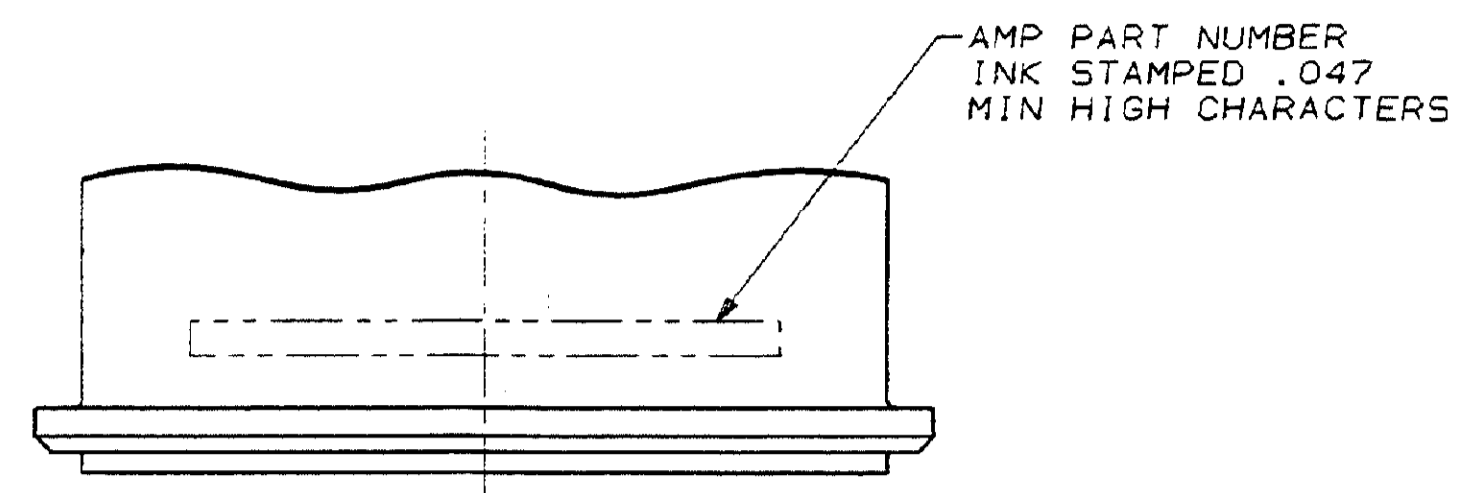
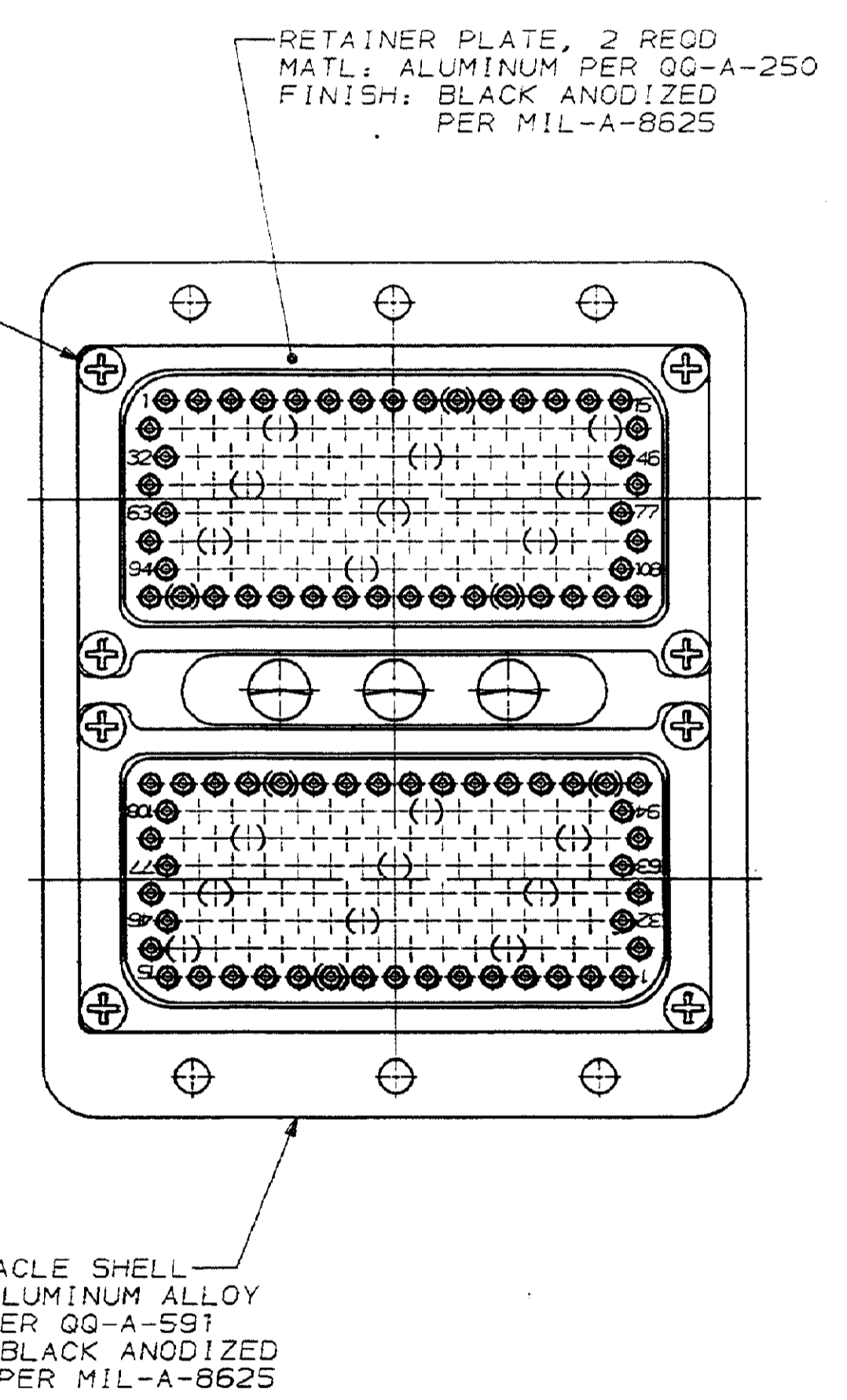
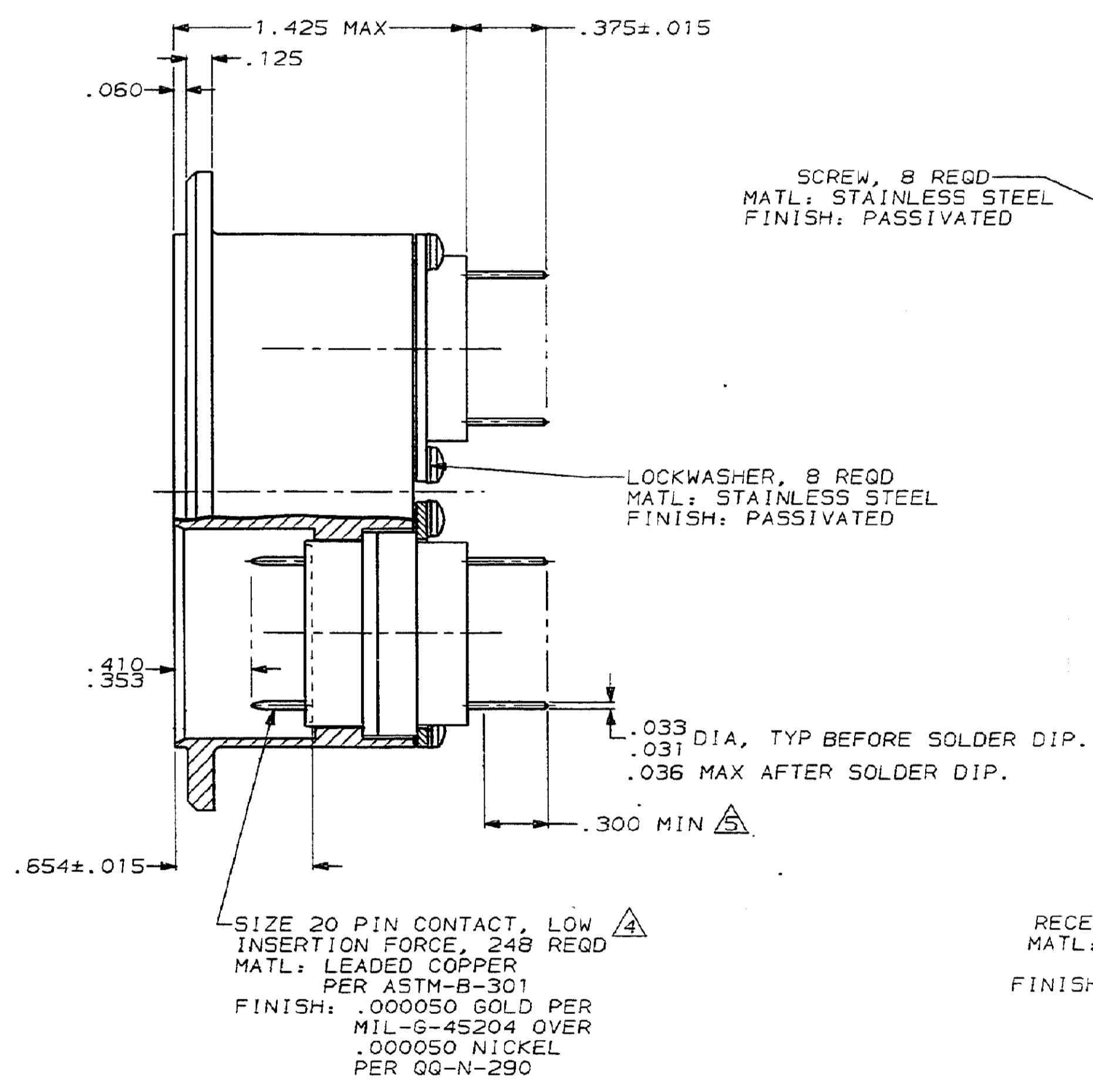


PROJ	DOC	QTY	REVISIONS						
5048	DF	A0	P	F	ZONE	LTR	DESCRIPTION	DATE	APPD
			0				RELEASED PER W.O. 8-227F	8-25-88	EH
			A				REV: DF-1277 & ADD -3; DF-1359 CT	1-23-89	
			B				REV PER DF-2478 JM	11-89	EH



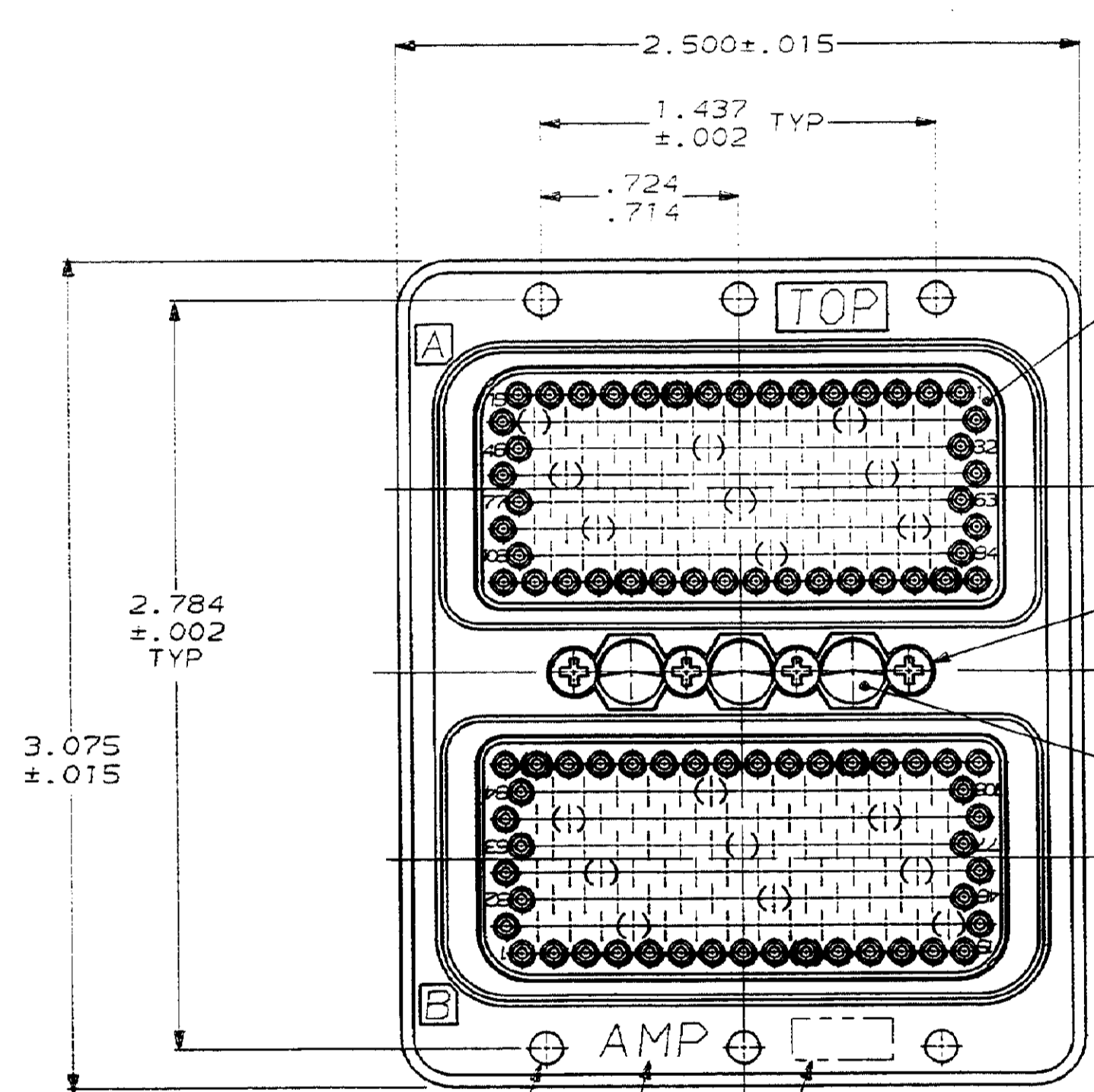
- PIN INSERT, 124 POSN, 2 REQD  
 MATL: EPOXY MLDG CMPD  
 COLOR: BLACK  
 FRONT INSERT GROMMET  
 MATL: SILICONE RUBBER  
 COLOR: RED
- SCREW, 4 REQD  
 MATL: STAINLESS STEEL  
 PER ASTM-A-582  
 FINISH: PASSIVATED  
 PER QQ-P-35
- POLARIZING KEY, 3 REQD  
 MATERIAL: ALUMINUM  
 PER QQ-A-200  
 FINISH: PLATED CADMIUM  
 PER QQ-P-416,  
 YELLOW CHROMATE



- THIS CONNECTOR MEETS ALL APPLICABLE SPECIFICATIONS OF MIL-C-81659.
- CONTACTS ARE RELEASED AND REMOVED FROM FRONT (MATING FACE) OF CONNECTOR.
- POLARIZING KEYS ARE ASSEMBLED IN POSITION 01.
- REPLACEMENT SOLDER DIPPED PIN CONTACT PART NUMBER IS 445544-3.
- CONTACT TAILS ARE SOLDER DIPPED OVER THIS LENGTH.
- REPLACEMENT SOLDER DIPPED PIN CONTACT PART NUMBER IS 445914-3.
- 445531-3 IS VAPOR PHASE SOLDERABLE.

SEE SHEET #2	445531-3
OBsolete AS SHOWN; SHEET #1	445531-1
DESCRIPTION	PART NO

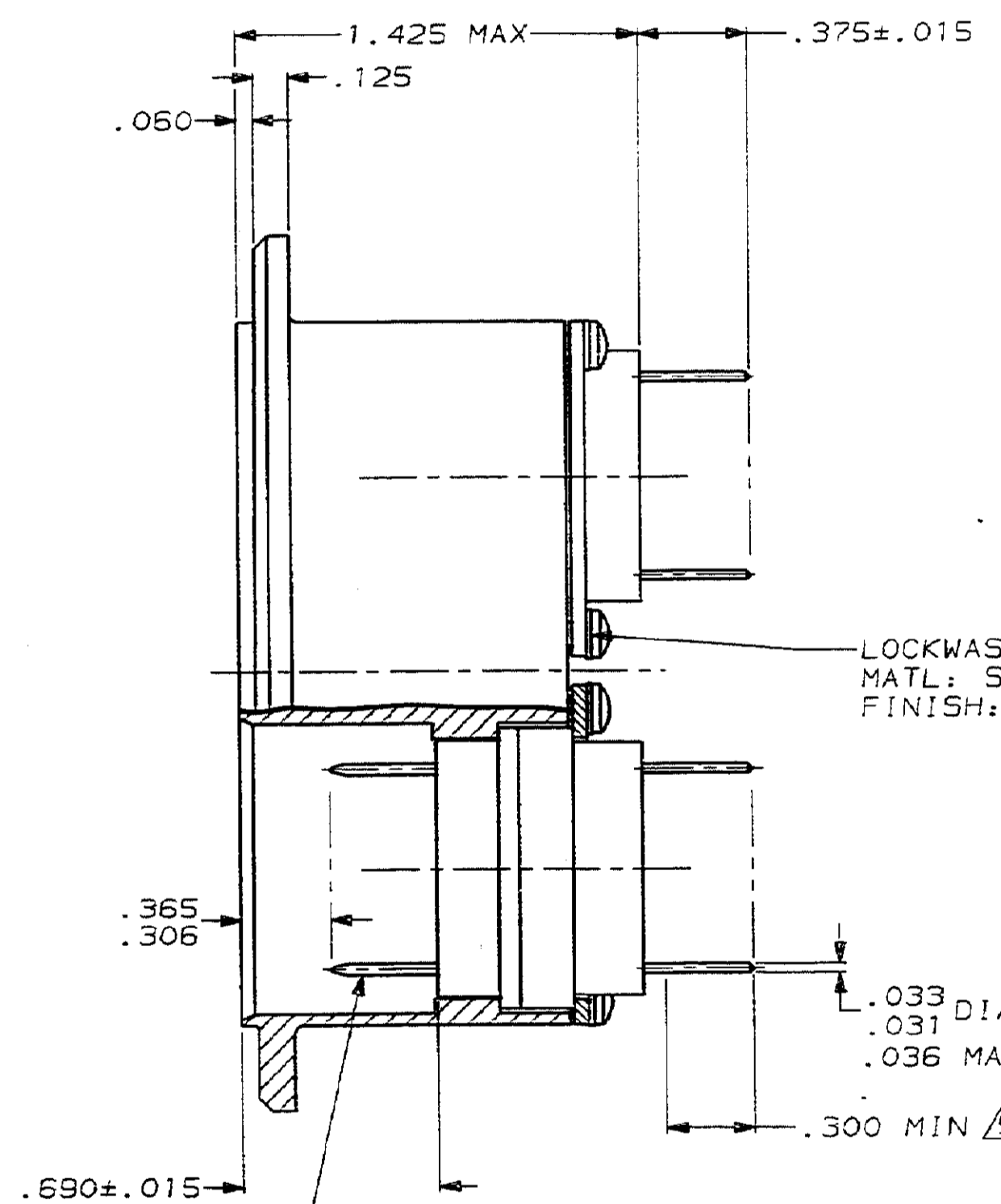
DO NOT SCALE PRINT. UNLESS SPECIFIED DIMENSIONS IN INCHES TOLERANCES ON: 2 PLC DEC ± 3 PLC DEC ± .005 ANGLES ±	DR 8-25-88 B.YOHV CHK 8-25-88 B.YOHV APPD 8-25-88 DJM APPD 8-25-88 DJM PRODUCT SPEC - APPLICATION SPEC - WEIGHT	AMP INCORPORATED Murrysburg, Pa. 17136 NAME DUAL RECEPTACLE CONNECTOR ASSEMBLY, ARINC 404, SIMILAR TO AD2R124P124P-6001 FRONT RELEASE/FRONT REMOVE SIZE D FSCM NO 00779 DRAWING NO 445531 SCALE 2:1 SHEET 1 OF 2
--	---	--



PIN INSERT, 124 POSN, 2 REQD  
 MATL: EPOXY MLDG CMPD  
 COLOR: BLACK

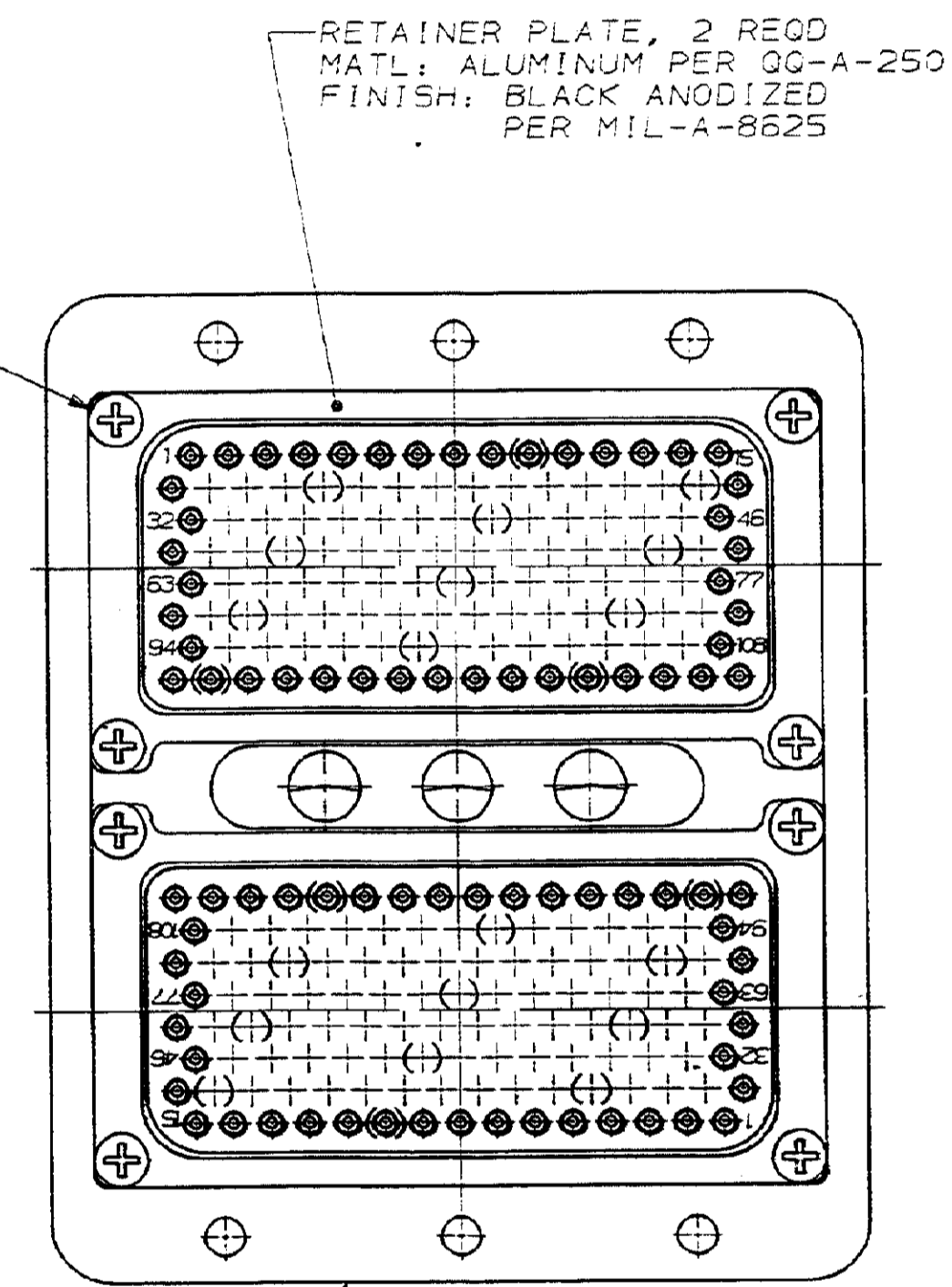
SCREW, 4 REQD  
 MATL: STAINLESS STEEL  
 PER ASTM-A-582  
 FINISH: PASSIVATED  
 PER QQ-P-35

POLARIZING KEY, 3 REQD  
 MATERIAL: ALUMINUM  
 PER QQ-A-200  
 FINISH: PLATED CADMIUM  
 PER QQ-P-416,  
 YELLOW CHROMATE



SCREW, 8 REQD  
 MATL: STAINLESS STEEL  
 FINISH: PASSIVATED

LOCKWASHER, 8 REQD  
 MATL: STAINLESS STEEL  
 FINISH: PASSIVATED



RECEPTACLE SHELL  
 MATL: ALUMINUM ALLOY  
 PER QQ-A-591  
 FINISH: BLACK ANODIZED  
 PER MIL-A-8625

SIZE 20 PIN CONTACT, LOW  
 INSERTION FORCE, 248 REQD  
 MATL: LEADED COPPER  
 PER ASTM-B-301  
 FINISH: .000050 GOLD PER  
 MIL-G-45204 OVER  
 .000050 NICKEL  
 PER QQ-N-290

AS SHOWN, SHEET #2	445531-3
SEE SHEET #1	445531-1
DESCRIPTION	PART NO

DO NOT SCALE PRINT. UNLESS SPECIFIED DIMENSIONS IN INCHES TOLERANCES ON: 2 PLC DEC ± .005 3 PLC DEC ± .005 ANGLES ± .005	DR 1-23-89 C. THOMAS CHK 1-31-89 E. HOWARD APPD 1-31-89 E. HOWARD APPD 2-1-89 D. J. M.	AMP INCORPORATED Harrisburg, Pa. 17105
SEE CALLOUTS	PRODUCT SPEC	NAME DUAL RECEPTACLE CONNECTOR ASSEMBLY, ARINC 404, SIMILAR TO A02R124P124P-6001 FRONT RELEASE/FRONT REMOVE
SEE CALLOUTS	APPLICATION SPEC	SIZE: FSCM NO: DRAWING NO: D 00779 445531
	WEIGHT	SCALE: 2:1 SHEET: 2 OF 2