



VI-HAM™, VE-HAM™

VxHAMxM

(Compatible with VI-26x and VI-J6x modules)

Actual Size:
4.6 x 2.4 x 0.5 in
(116,8 x 61,0 x 12,7 mm)



Harmonic Attenuation Module

Features

- Unity power factor
- Safety agency approvals:
CE marked, cTUVus, cURus
- Meets IEC 6100-3-2 for line
Current harmonic content
- Reduces peak and RMS line currents
- Universal input:
85 – 264 Vac: 50/60 Hz
- Up to 600 W of power
- Power density up to 100 W/in³
- Adaptive output voltage control
- Short-circuit protection
- Input surge current limiting
- Converter enable
- Power OK output
- Efficiency: 90-94% typical
- RoHS compliant

Absolute Maximum Ratings

Parameter	Rating	Unit	Notes
L to N voltage	265	Vac	Continuous
	280	Vac	100 ms
Mounting torque	5 (0.57)	in- lbs (N-m)	# 6-32 or m3.5
Pin soldering temperature	750	°F	
	(400)	(°C)	
Operating temperature	-55 to +85	°C	M-Grade
Storage temperature	-65 to +100	°C	M-Grade
Auxiliary output	3	mA	

Note: High Boost Ham recommended for new designs (VI-HAM-xL)

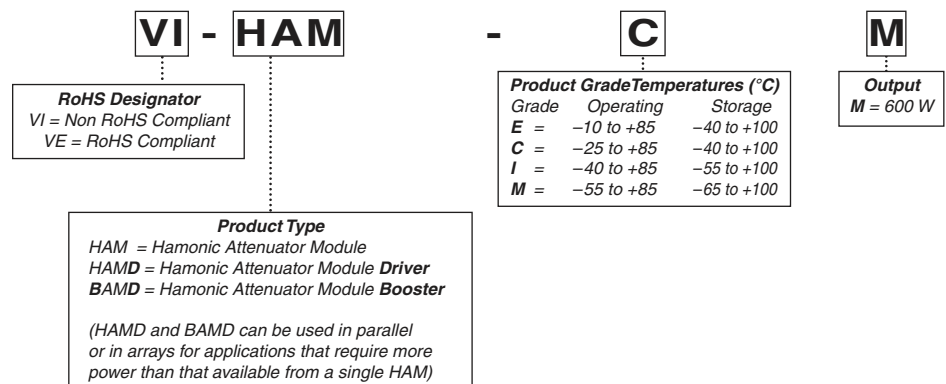
Product Highlights

The Harmonic Attenuator Module (HAM) accepts an input of 85 – 264 Vac. It provides a DC output compatible with Vicor's VI-26x, VI-J6x and user-defined Maxi, Mini and Micro DC-DC converters. The combination of a HAM, one or more Vicor DC-DC converters, and the 30205 line filter, listed on page 8, offers a high density power solution meeting EN61000-3-2.



For application information please see the [Design Guide](#) at vicorpower.com.

Part Numbering



ELECTRICAL CHARACTERISTICS

Electrical characteristics apply over the specified operating voltage range, output load and baseplate temperature, unless otherwise specified. All temperatures refer to the operating temperature of the baseplate. Specifications apply for AC mains having no more than 5% total harmonic distortion.

■ INPUT SPECIFICATIONS (HAM-xM, HAMD-xM, BAMD-xM)

Parameter	Min	Typ	Max	Unit	Notes
Operating input voltage HAM, HAMD, BAMD	85		264	Vac	Rectified AC for HAMD, BAMD
AC line frequency	47		63	Hz	Unit will operate at 400 Hz but may not meet PF or THD specs
Power factor	0.99				115/230 Vac, 50 – 100% of full load
Total harmonic distortion (line current)			7.5	%	115 Vac, sinusoidal input, full load
			8.5	%	230 Vac, sinusoidal input, full load
Inrush current			20	Amps	230 Vac, full load
			13	Amps	115 Vac, full load
CM Filter Inductance	3	6		mH	External to HAM module (see Fig. 10)
DM Filter Inductance	0.2	0.35	0.75	mH	External to HAM module (see Fig. 10)

■ OUTPUT SPECIFICATIONS

Parameter	Min	Typ	Max	Unit	Notes
Maximum output power			600	Watts	See power derating graph, Fig. 3
Output voltage	258	260	262	Vdc	115 Vac In
	360	365	370	Vdc	230 Vac In (see Fig. 3)
Efficiency	90		91	%	115 Vac, sinusoidal input, full load
	93		94	%	230 Vac, sinusoidal input, full load
External hold up capacitance per HAM	500		3,000	μF	300 W, 500 μF minimum, external to HAM
					600 W, 1,000 μF minimum, external to HAM
Ride through / hold up time	16			ms	600 W output with 1,000 μF hold up capacitor, external to HAM
Ripple		7	10	Vp-p	115 Vac, full load, 1,000 μF hold up capacitor, external to HAM
		5	6	Vp-p	230 Vac, full load, 1,000 μF hold up capacitor, external to HAM
Short circuit shut down current			100	mA	Foldback current limiting

■ CONTROL SPECIFICATIONS

Parameter	Min	Typ	Max	Unit	Notes
Power OK threshold		230		Vdc	
Module enable/disable threshold		240		Vdc	
Auxiliary output	19		23	Vdc	≤ 3 mA
			3	mA	Do not overload or add external capacitance

ELECTRICAL CHARACTERISTICS (CONT.)

■ ELECTROMAGNETIC COMPATIBILITY

Parameter	Standard	Notes
Transient / surge immunity	EN61000-4-5	1 kV L-N, 2 kV L-PE, 30205 filter and 30076 MOV
Line disturbance / immunity	EN61000-4-11	Main's interruption or brown out
Flicker / inrush	EN61000-3-3	20 A peak inrush at 230 Vac input
Harmonic current	EN61000-3-2	7.5% THD

■ SAFETY SPECIFICATIONS

Parameter	Min	Typ	Max	Unit	Notes
Isolation (in to out)		None			Isolation provided by DC-DC converters
Dielectric withstand (I/O to baseplate)	2,121			Vdc	Baseplate earthed
Capacitance		150		pF	Input to baseplate

■ AGENCY APPROVALS

Safety Standards	Markings	Notes
UL60950-1, EN60950-1, CSA 60950-1	cTÜVus, cURus CE Marked	Low Voltage Directive

■ GENERAL SPECIFICATIONS

Parameter	Min	Typ	Max	Unit	Notes
Size		4.6 x 2.4 x 0.5 (116,8 x 61,0 x 12,7)		in (mm)	
Weight		6.4 (180)		oz (g)	
Pin material		Solder plate over copper alloy			
Cover material		GE ULtem 2100 black #7310 UL94-VO rated			
Thermal shut down	90		100	°C	Baseplate temperature
MTBF					
HAM	420,000			hrs	GB, 25°C
HAMD	424,000			hrs	GB, 25°C
BAMD	818,000			hrs	GB, 25°C

TECHNICAL DESCRIPTION

The HAM Figure 1, consists of a full-wave rectifier, a high-frequency zero-current switching (ZCS) boost converter, active inrush current limiting, short-circuit protection, control and housekeeping circuitry. The incoming AC line is rectified and fed to the boost converter. The control circuitry varies the operating frequency of the boost converter to maintain the output voltage of the HAM above the peak of the incoming line, while forcing the input current to follow the waveshape and phase of the line voltage. The AC input current follows the voltage waveform and a power factor better than 0.99 is achieved. Operating efficiency of the boost converter is optimized at any incoming line voltage by an adaptive output voltage control scheme.

The output voltage of the HAM varies as a function of incoming AC line voltage, Figure 3. On a nominal 120 Vac line the output voltage of the HAM is 260 Vdc — well within the input operating voltage range of Vicor VI-26x and VI-J6x converters. As input line increases, so does the HAM output voltage; at 220 Vac the delivered voltage will be about 350 V. For any given input line voltage, the HAM maintains enough headroom between the output voltage and peak input voltage to ensure high quality active power factor correction without unnecessarily sacrificing operating efficiency.

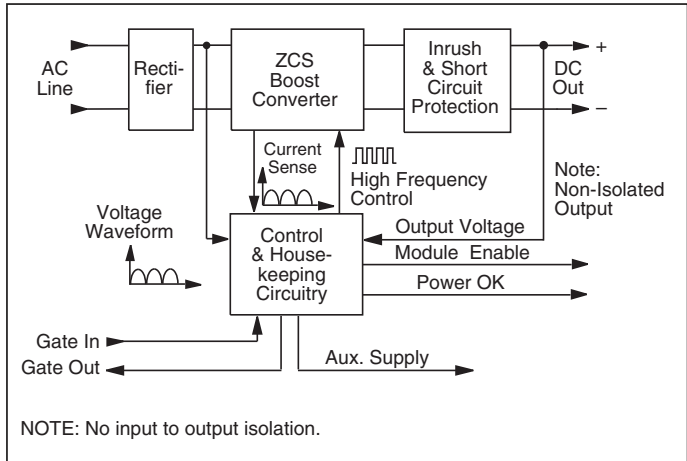


Figure 1 – HAM block diagram

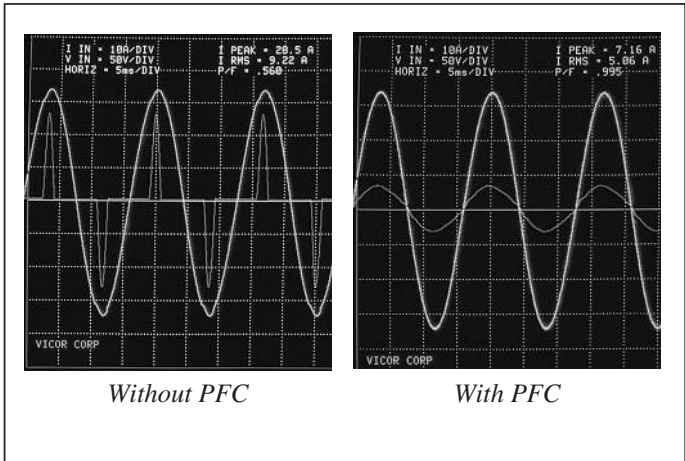


Figure 2 – Input voltage and current wave forms, with and without power factor correction

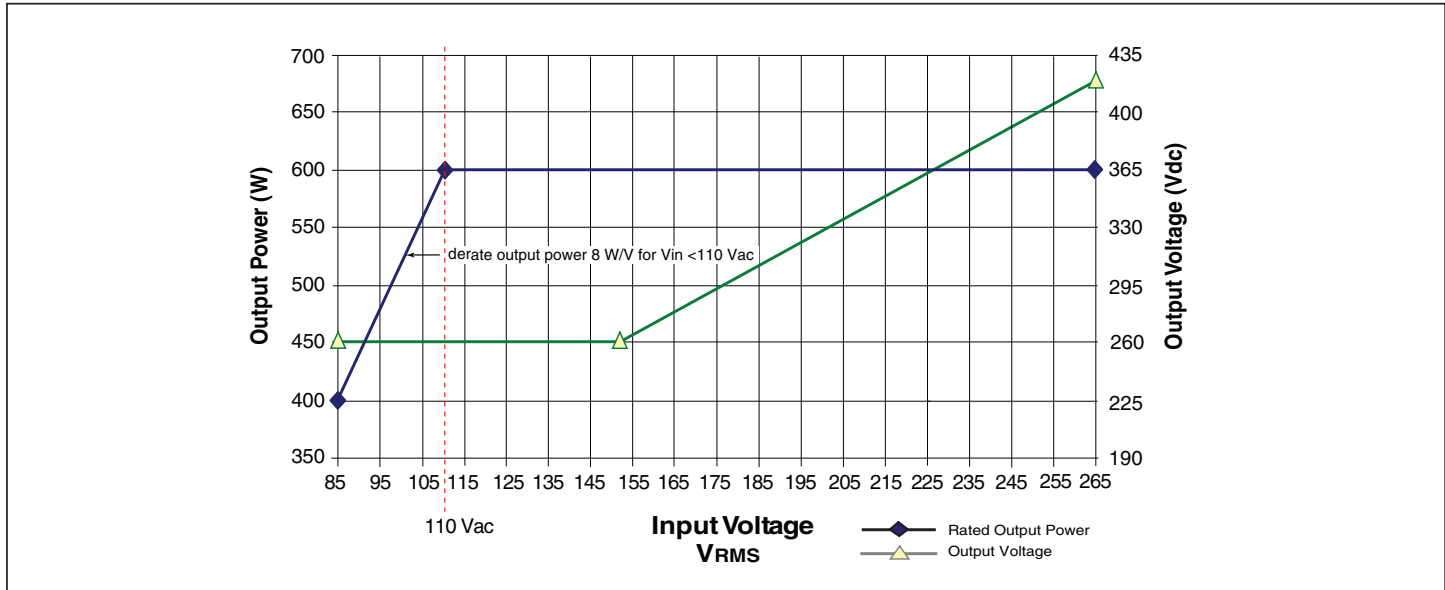


Figure 3 – Output voltage and power rating versus input voltage

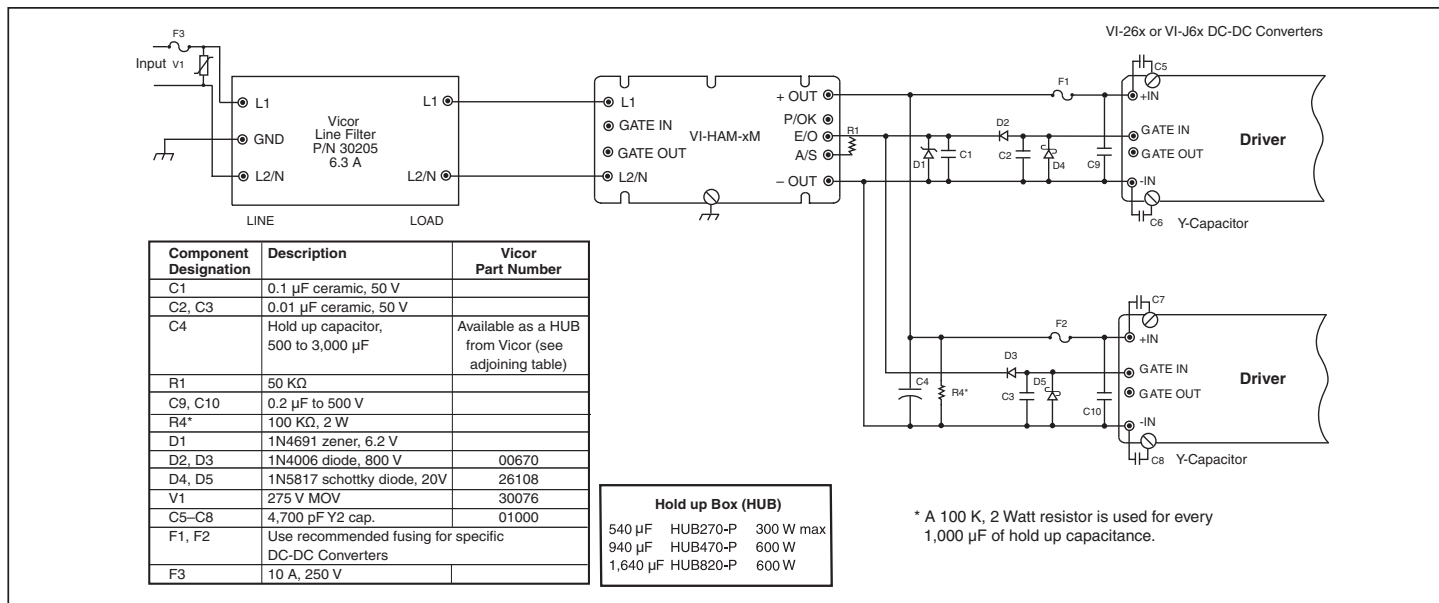


Figure 4 – Connection diagram HAM / DC-DC converters

PIN FUNCTION / DESCRIPTION

L1 and L2/N (HAM)

An appropriate line filter is required to limit conducted emissions and ensure reliable operation of the HAM, see page 8. Connect single phase AC mains to the input of the line filter via a 10 A, 250 V fuse. Connect the output of the filter to L1 and L2/N of the HAM. Do not put an X-capacitor across the input of the HAM or use a line filter with an X-capacitor on its input as power factor correction may be impacted.

+IN, -IN (HAMD, BAMD)

These pins are connected to the output of the external bridge rectifier in HAMD / BAMD configurations Figure 5.

GATE IN (HAM)

The user should not make any connection to this pin.

GATE IN (HAMD)

This pin provides line voltage envelope and phase information for power factor correction. This connection must be made through the synchronization diodes between the line filter and bridge rectifier Figure 5.

GATE IN (BAMD)

The Gate In pin is an interface pin to the Gate Out pin of a HAMD or BAMD depending on configuration. The user should not make any other connection to this pin.

GATE OUT

The Gate Out pin is a synchronization pin for HAMD/BAMD arrays; the user should not make any other connection to this pin.

+OUT and -OUT

Connect the +OUT of the HAM to the +IN of the respective Vicor DC-DC converters with the recommended fuse. Connect the -OUT of the HAM to the -IN of the converters. In addition, an external hold-up capacitor of 1,000 μ F with a minimum voltage rating of 450 Vdc, is required (across the output of the HAM) for 16 ms ride through time at full power (500 μ F for half power, etc). This capacitor must be in close proximity to the HAM. Do not exceed 3,000 μ F of total output capacitance. Lower values of capacitance may be used for reduced hold up requirements, but not less than 500 μ F. Lower capacitance values may degrade power factor specifications.

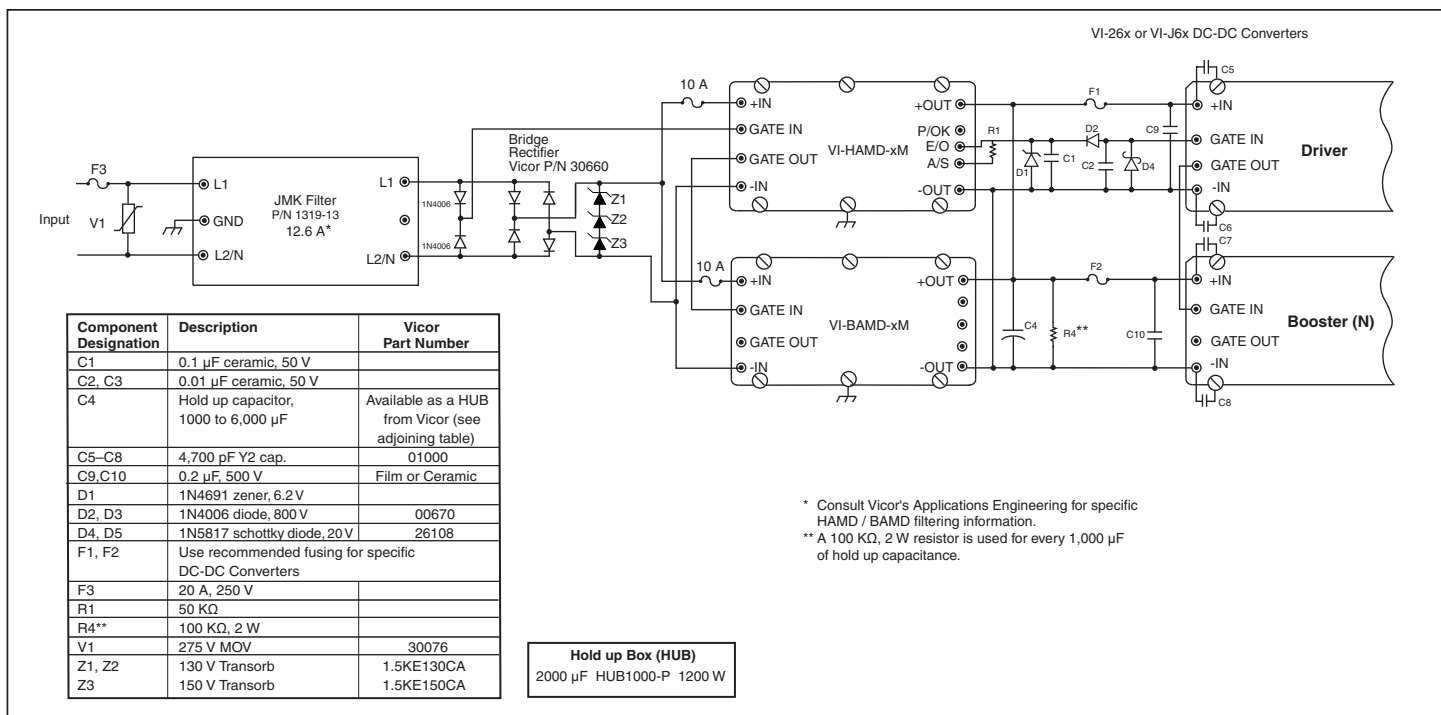


Figure 5 — Connection Diagram, HAMD / BAMD / VI-26x or VI-J6x DC-DC Converters

HAMD-CM Driver HAM: No internal bridge rectifier or synchronization diodes.

BAMD-CM Booster HAM: Companion module to HAMD-CM used for additional output power. No internal bridge rectifier.

PIN FUNCTION / DESCRIPTION (CONT.)

A/S

The HAM provides a low voltage non isolated output Auxiliary Supply (A/S) that may be used to power primary side control and monitoring circuitry. This output is 19 – 23 Vdc, referenced to -OUT, at 3 mA max. Do not overload or short this output as the HAM will fail. A typical use for A/S is to power an optical coupler that isolates the Power OK signal Figure 6.

E/O

The Enable Output (E/O) is used to inhibit the DC-DC converters at start up until the hold up capacitors are charged, at which time Enable is asserted high (open state, Figure 8). If the AC line fails, E/O goes low when the DC output of the HAM drops below 195 Vdc.

E/O must be connected to the Gate Input of all VI-26x and VI-J6x drivers Figure 4; failure to do so may cause the converters to toggle on and off. It is not necessary to connect this pin to boosters as they are controlled by their respective driver. If an external load is connected directly to the output of the HAM, do not apply the load until the output hold up capacitor(s) are fully charged.

The E/O pin ancillary circuitry illustrated in Figures 4 and 5 provides transient immunity. The illustrated circuitry is the minimum required, see Figures 4 and 5.

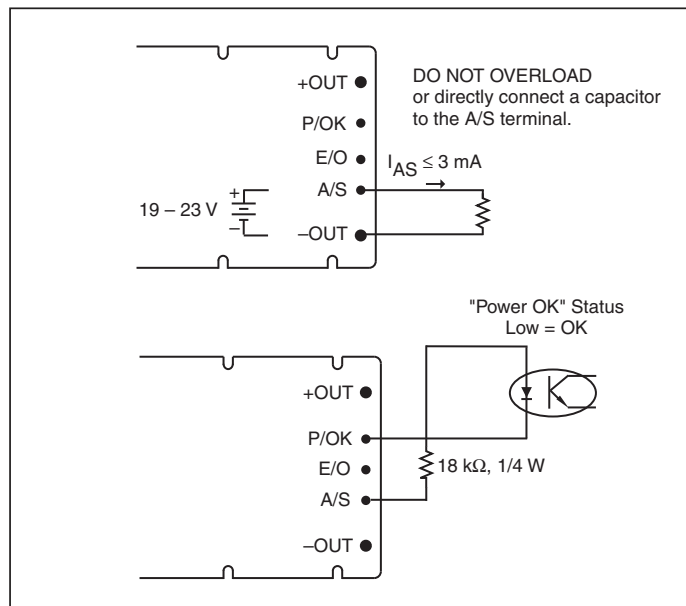


Figure 6 — Auxiliary Supply (A/S)

PIN FUNCTION / DESCRIPTION (CONT.)

P/OK

Power OK is a monitor signal that indicates the status of the AC mains and the DC output voltage of the HAM. P/OK is asserted (active low) when the output bus voltage is within normal operating range 20 – 25 ms after DC-DC converters are enabled by the E/O signal of the HAM. This provides sufficient time for the converters to turn on and their output(s) to stabilize prior to P/OK being asserted, Figure 9. For momentary interruptions of AC power, the HAM will provide at least 16 ms of ride through or hold up time (with 1,000 μ F output capacitor). On loss of power or brownout, (when the HAM

output voltage drops below 230 Vdc) the P/OK signal will go to an open circuit state, see Figure 7, signaling an impending loss of input power to the converter modules. P/OK will provide power fail warning at least 1 ms prior to converter shut down. When the HAM output voltage drops below 195 Vdc the converters are disabled via Enable Output (E/O).

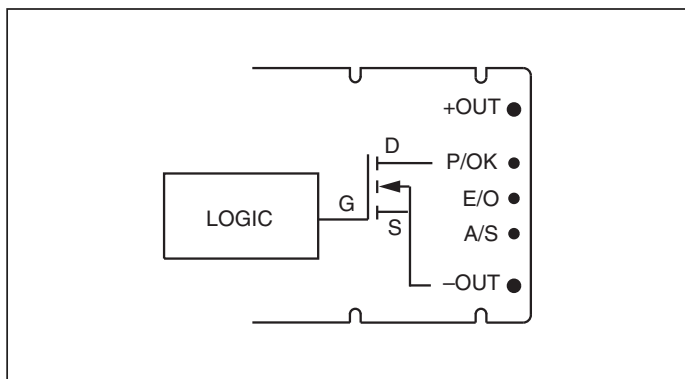


Figure 7 – Power OK (P/OK)

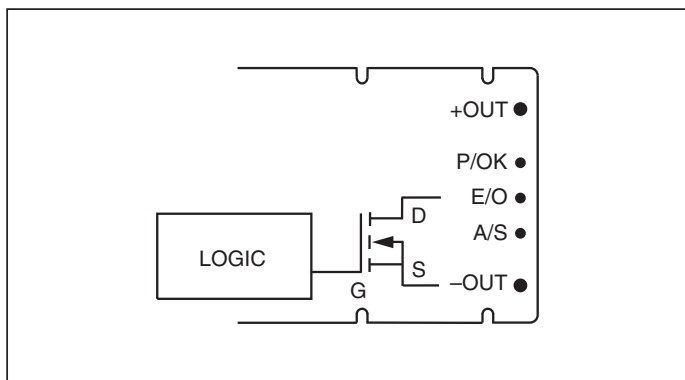


Figure 8 – Enable / Output (E/O)

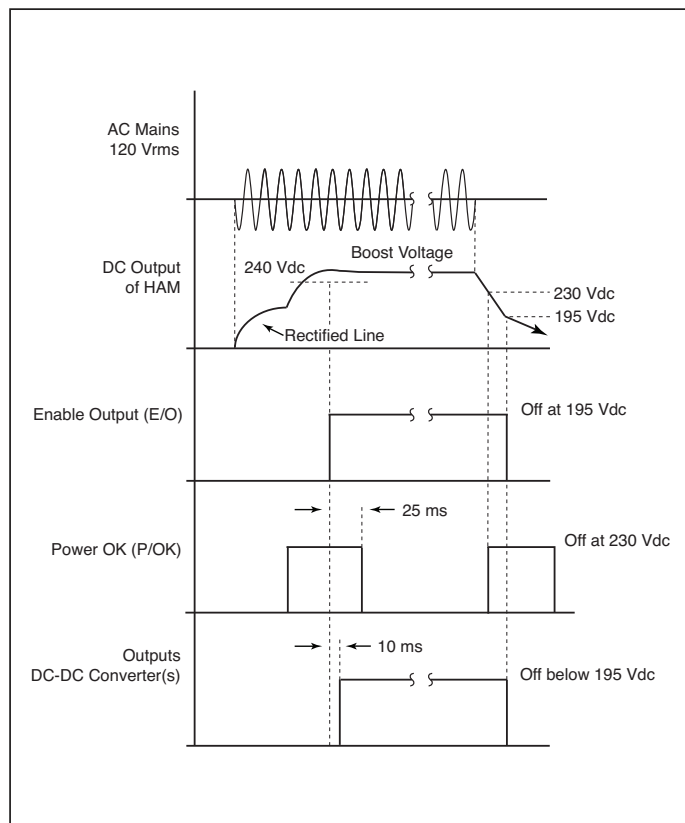


Figure 9 – Start up / shut down timing diagram

PIN FUNCTION / DESCRIPTION (CONT.)

Line Filter for HAM

A line filter is required to provide attenuation of conducted emissions generated by the HAM module and to protect it from line transients. It also presents a well defined high frequency AC line impedance to the input of the HAM. To meet the listed specifications, Vicor’s P/N 30205 line filter/transient suppressor or equivalent must be used, see Figure 10. The addition of a MOV external to this filter is required to meet normal mode transient surge requirements.

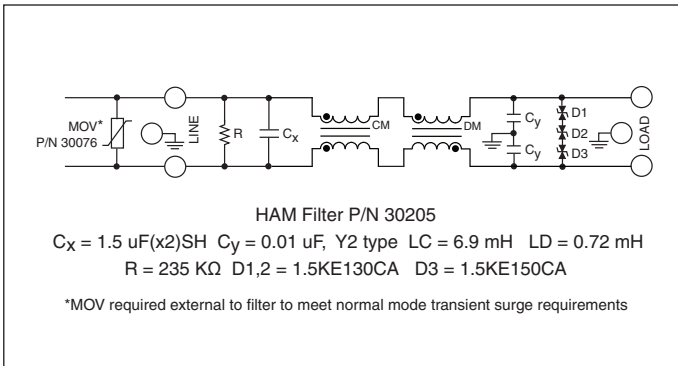


Figure 10 – Required HAM filter, Vicor part # 30205

For applications using HAMD + BAMD or where the user desires to construct a custom HAM filter, the filter should be designed following Figure 10, the schematic of Vicor’s P/N 30205 filter. The current carrying capability of the inductors must be scaled proportionally to the number of HAM modules used. Inductance values must be selected according to Table 1. These limits are to ensure proper operation of the HAM and do not guarantee a system will meet conducted emissions specifications.

Parameter	Min	Typ	Max	Unit
Differential Mode Inductance (LD)	0.2	0.35	0.75	mH
Common Mode Inductance (LC)	3	6		mH

Table 1 – HAM filter inductance range

For applications requiring magnetic field shielding, do not place a ferrous EMI shield over the plastic cover of the HAM module. This can cause thermal problems due to induction heating effects.

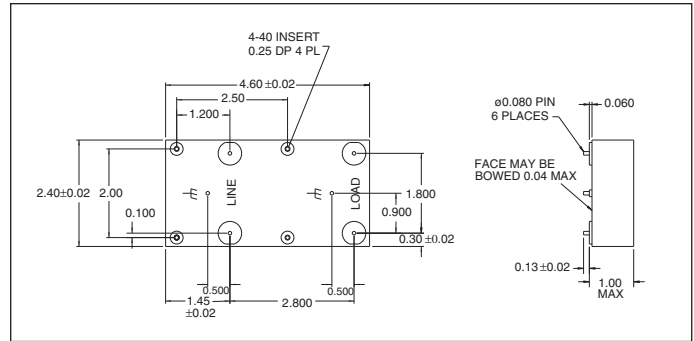


Figure 11 – HAM filter #30205 mechanical diagram

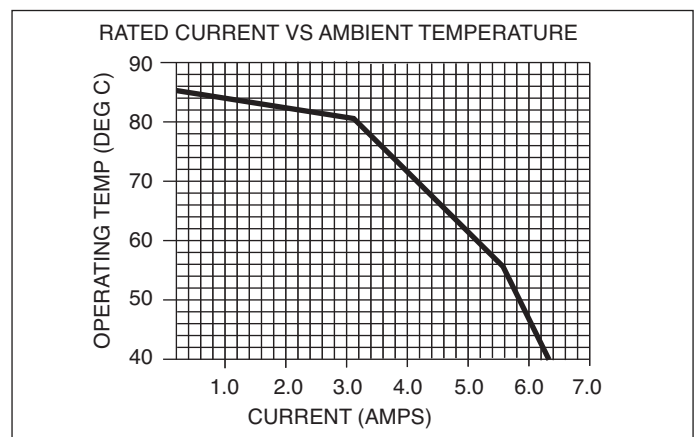


Figure 12 – HAM filter #30205 current rating vs. temperature

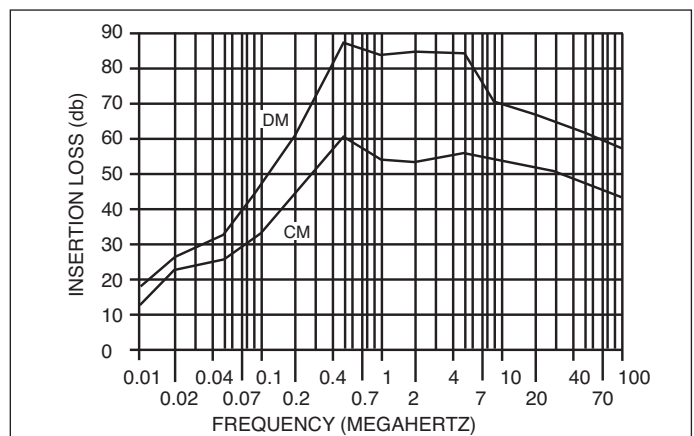


Figure 13 – HAM filter #30205 insertion loss vs. frequency

PIN FUNCTION / DESCRIPTION (CONT.)

Parameter	Min	Typ	Max	Unit
Operating voltage	85		250	Vac
Operating temperature (See Fig.12)	-20		40	°C
Leakage current at 264 Vac, 63 Hz (Either line to earth)			1.2	mA
Operating current			6.3	A
Dielectric withstand (line – case)			1500	Vac
Residual voltage after 1 sec.			34	V
Operating frequency	50		60	Hz
Agency Approvals		UL, CSA, TÜV		

Table 2 – HAM filter part #30205 specifications

Safety Notes

Each HAM, HAMD or BAMD module must be preceded by a safety agency recognized fast-blow 10A 3AG fuse.

The HAM is not isolated from the line – either input or output; a line isolation transformer must be used when making scope measurements. HAMs do not provide input to output isolation. Differential probes should be used when probing the input and output simultaneously to avoid destructive ground loops.

Protective Features

Over Temperature Shut Down

The HAM is designed to shut down when the temperature of the baseplate exceeds 90°C. Do not operate the HAM above its maximum operating temperature of 85°C.

Short Circuit Protection

The HAM contains output short circuit protection. Operation of this function does not clear the input fuse and the output will resume normal operation after removal of the fault. A short period of time may be required to allow for cooling of an internal temperature sensor.

Output Over Voltage Protection

The HAM contains output over voltage protection. In the event the output voltage exceeds approximately 420 Vdc, the boost will decrease to maintain 420 Vdc on the output. When the peak of the AC line exceeds 420 V (approximately 293 Vac) the boost will have been reduced to zero and the E/O line will be pulled low shutting down the converters. Beyond this the protection circuit will be enabled and the output voltage will decrease.

MECHANICAL DRAWING

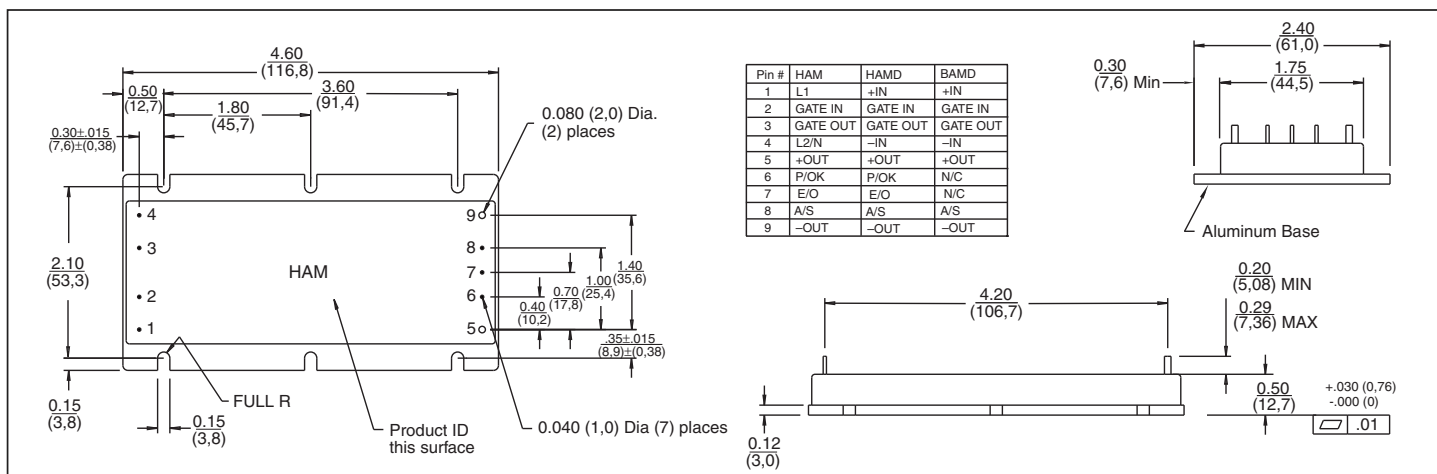


Figure 14 – HAM / HAMD / BAMD Module Outline

Vicor's comprehensive line of power solutions includes high density AC-DC and DC-DC modules and accessory components, fully configurable AC-DC and DC-DC power supplies, and complete custom power systems.

Information furnished by Vicor is believed to be accurate and reliable. However, no responsibility is assumed by Vicor for its use. Vicor makes no representations or warranties with respect to the accuracy or completeness of the contents of this publication. Vicor reserves the right to make changes to any products, specifications, and product descriptions at any time without notice. Information published by Vicor has been checked and is believed to be accurate at the time it was printed; however, Vicor assumes no responsibility for inaccuracies. Testing and other quality controls are used to the extent Vicor deems necessary to support Vicor's product warranty. Except where mandated by government requirements, testing of all parameters of each product is not necessarily performed.

Specifications are subject to change without notice.

Vicor's Standard Terms and Conditions

All sales are subject to Vicor's Standard Terms and Conditions of Sale, which are available on Vicor's webpage or upon request.

Product Warranty

In Vicor's standard terms and conditions of sale, Vicor warrants that its products are free from non-conformity to its Standard Specifications (the "Express Limited Warranty"). This warranty is extended only to the original Buyer for the period expiring two (2) years after the date of shipment and is not transferable.

UNLESS OTHERWISE EXPRESSLY STATED IN A WRITTEN SALES AGREEMENT SIGNED BY A DULY AUTHORIZED VICOR SIGNATORY, VICOR DISCLAIMS ALL REPRESENTATIONS, LIABILITIES, AND WARRANTIES OF ANY KIND (WHETHER ARISING BY IMPLICATION OR BY OPERATION OF LAW) WITH RESPECT TO THE PRODUCTS, INCLUDING, WITHOUT LIMITATION, ANY WARRANTIES OR REPRESENTATIONS AS TO MERCHANTABILITY, FITNESS FOR PARTICULAR PURPOSE, INFRINGEMENT OF ANY PATENT, COPYRIGHT, OR OTHER INTELLECTUAL PROPERTY RIGHT, OR ANY OTHER MATTER.

This warranty does not extend to products subjected to misuse, accident, or improper application, maintenance, or storage. Vicor shall not be liable for collateral or consequential damage. Vicor disclaims any and all liability arising out of the application or use of any product or circuit and assumes no liability for applications assistance or buyer product design. Buyers are responsible for their products and applications using Vicor products and components. Prior to using or distributing any products that include Vicor components, buyers should provide adequate design, testing and operating safeguards.

Vicor will repair or replace defective products in accordance with its own best judgment. For service under this warranty, the buyer must contact Vicor to obtain a Return Material Authorization (RMA) number and shipping instructions. Products returned without prior authorization will be returned to the buyer. The buyer will pay all charges incurred in returning the product to the factory. Vicor will pay all reshipment charges if the product was defective within the terms of this warranty.

Life Support Policy

VICOR'S PRODUCTS ARE NOT AUTHORIZED FOR USE AS CRITICAL COMPONENTS IN LIFE SUPPORT DEVICES OR SYSTEMS WITHOUT THE EXPRESS PRIOR WRITTEN APPROVAL OF THE CHIEF EXECUTIVE OFFICER AND GENERAL COUNSEL OF VICOR CORPORATION. As used herein, life support devices or systems are devices which (a) are intended for surgical implant into the body, or (b) support or sustain life and whose failure to perform when properly used in accordance with instructions for use provided in the labeling can be reasonably expected to result in a significant injury to the user. A critical component is any component in a life support device or system whose failure to perform can be reasonably expected to cause the failure of the life support device or system or to affect its safety or effectiveness. Per Vicor Terms and Conditions of Sale, the user of Vicor products and components in life support applications assumes all risks of such use and indemnifies Vicor against all liability and damages.

Intellectual Property Notice

Vicor and its subsidiaries own Intellectual Property (including issued U.S. and Foreign Patents and pending patent applications) relating to the products described in this data sheet. No license, whether express, implied, or arising by estoppel or otherwise, to any intellectual property rights is granted by this document. Interested parties should contact Vicor's Intellectual Property Department.

Vicor Corporation

25 Frontage Road
Andover, MA, USA 01810
Tel: 800-735-6200
Fax: 978-475-6715

email

Customer Service: custserv@vicorpower.com
Technical Support: apps@vicorpower.com